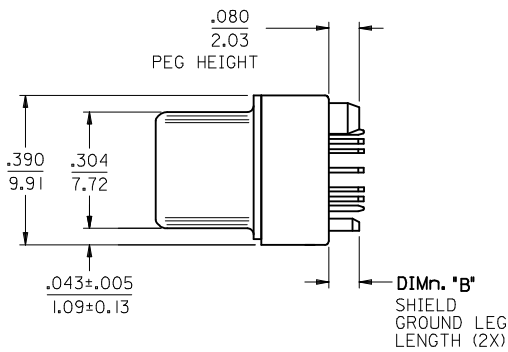


- NOTES:
- MATERIAL:  
SHIELD: DEEP DRAW STEEL;  
HOUSING: LCP, UL94V-0, NATURAL (WHITE);  
CONTACT: COPPER ALLOY.
  - PLATING: SEE SHEET 2.
  - PRODUCT CONFORMS TO MOLEX PRODUCT SPECIFICATION NUMBER PS-74320-001.
  - SEE SHEET 2 FOR RECOMMENDED PANEL CUT-OUT AND P.C.B. LAYOUT.
  - PARTS WILL BE PACKAGED IN TRAYS PER PK-74320-010.
  - PRODUCT CONFORMS TO DDWG DVI SPECIFICATION. REFER TO THIS SPECIFICATION FOR CONNECTOR MATING DIMENSIONS.
  - RECOMMENDED MOUNTING HARDWARE IS MOLEX P/N 71781-0001 OR 82007-0300 OR 88780-6066. REFER TO PRODUCT SPECIFICATION NUMBER PS-74320-001 FOR THIS APPLICATION TORQUE REQUIREMENT FOR ASSMBLING MOUNTING HARDWARE.



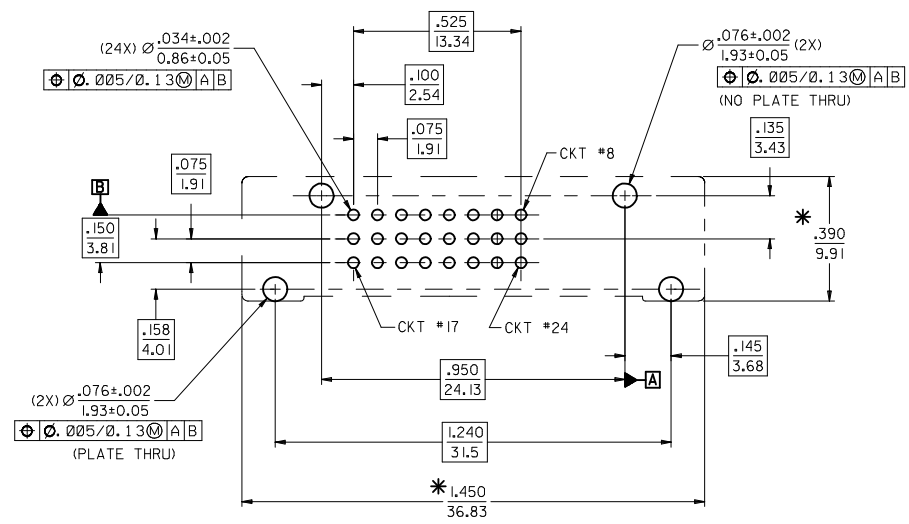
PART NUMBER	PLATING OPTION	DIM A	DIM B
74320-5000	1	0.092/2.34	0.080/2.03
74320-5001	1	0.050/1.27	0.080/2.03
74320-5004	2	0.092/2.34	0.080/2.03
74320-5005	2	0.050/1.27	0.080/2.03
74320-5006	2	0.110/2.79	0.110/2.79

REVISED IEC NO: SH2015-0200 TDRWN:XOZHANG 2014/12/10 CH'KD:XOZHANG 2014/12/10 APPR:AYTIN 2015/02/09	QUALITY SYMBOLS	GENERAL TOLERANCES (UNLESS SPECIFIED)	DIMENSION STYLE	SCALE	DESIGN UNITS	THIRD ANGLE PROJECTION
	$F_A=0$ $F_G=0$ $F_B=0$	mm INCH 4 PLACES ± --- ± --- 3 PLACES ± --- ± .010 2 PLACES ± 0.25 ± .010 1 PLACE ± 0.25 ± .010 0 PLACE ± --- ± ---	IN/MM	1:1	INCH	
		ANGULAR ±0.5°	DRAWN BY DATE			TITLE
		DRAFT WHERE APPLICABLE MUST REMAIN WITHIN DIMENSIONS	MOSULL IV 99/02/12			DVI-DIGITAL VERTICAL RECEPTACLE CONNECTOR
		SEE TABLE	APPROVED BY DATE			
			NELLIGAN 99/02/15			
			MATERIAL NO.		DOCUMENT NO.	
					SD-74320-004	
						SHEET NO. 1 OF 2
			SIZE A3	THIS DRAWING CONTAINS INFORMATION THAT IS PROPRIETARY TO MOLEX INCORPORATED AND SHOULD NOT BE USED WITHOUT WRITTEN PERMISSION		

F

E

D



RECOMMENDED PCB LAYOUT

\* THESE DIMENSIONS REPRESENT CONNECTOR OVERLAY ON PCB.

PLATING OPTIONS:

PLATING OPTION #1:

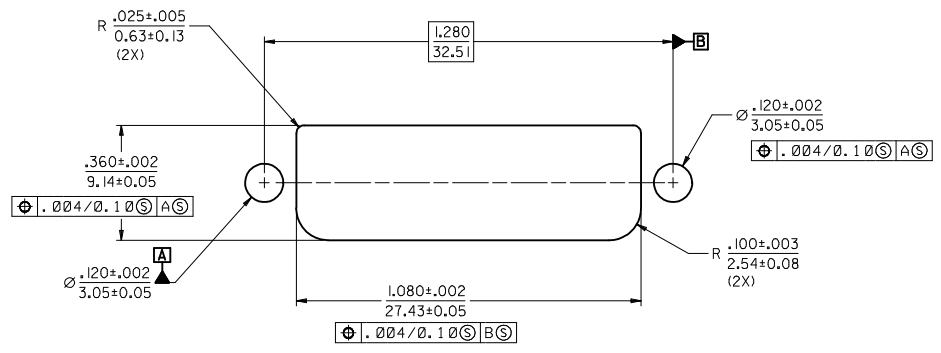
OUTER SHIELD -- 150u"/3.75um MIN. BRIGHT TIN OVER  
 50u"/1.27um MIN. NICKEL OVER COPPER FLASH.  
 .075"/1.91mm CONTACTS -- 30u"/0.75um MIN. SELECT GOLD AND  
 100u"/2.50um MIN. SELECT PURE TIN  
 OVER 50u"/1.27um MIN. NICKEL OVERALL.

PLATING OPTION #2:

OUTER SHIELD -- 150u"/3.75um MIN. BRIGHT TIN OVER  
 50u"/1.27um MIN. NICKEL OVER COPPER FLASH.  
 .075"/1.91mm CONTACTS -- SELECT GOLD FLASH AND  
 100u"/2.50um MIN. SELECT PURE TIN  
 OVER 50u"/1.27um MIN. NICKEL OVERALL.

C

B



RECOMMENDED PANEL CUT-OUT  
 PANEL THICKNESS: 0.30/0.76 - .040/1.02

SEE SHEET 1	DESCRIPTION
EC NO: SH2015-0200	2014/12/10
DRWN: XZHZHANG	2014/12/10
CHKD: XZHZHANG	2014/12/10
APPR: AYIN	2015/02/09
REV	

QUALITY SYMBOLS	DESCRIPTION
$F_A = 0$	
$F_C = 0$	
$F_P = 0$	

GENERAL TOLERANCES (UNLESS SPECIFIED)	
	mm INCH
4 PLACES	± --- ± ---
3 PLACES	± --- ± .010
2 PLACES	± 0.25 ± .010
1 PLACE	± 0.25 ± .010
0 PLACE	± --- ± ---
ANGULAR ±0.5°	
DRAFT WHERE APPLICABLE MUST REMAIN WITHIN DIMENSIONS	

DIMENSION STYLE	
IN/MM	
DRAWN BY	DATE
MOSULL IV	99/02/12
CHECKED BY	DATE
MOSULL IV	99/02/12
APPROVED BY	DATE
NELLIGAN	99/02/15
MATERIAL NO.	
SEE SHEET 1	

SCALE	DESIGN UNITS	THIRD ANGLE PROJECTION
1:1	INCH	
TITLE		
DVI-DIGITAL VERTICAL RECEPTACLE CONNECTOR		
DOCUMENT NO.		
SD-74320-004		

<b>molex</b>	
SHEET NO.	
2 OF 2	
THIS DRAWING CONTAINS INFORMATION THAT IS PROPRIETARY TO MOLEX INCORPORATED AND SHOULD NOT BE USED WITHOUT WRITTEN PERMISSION	