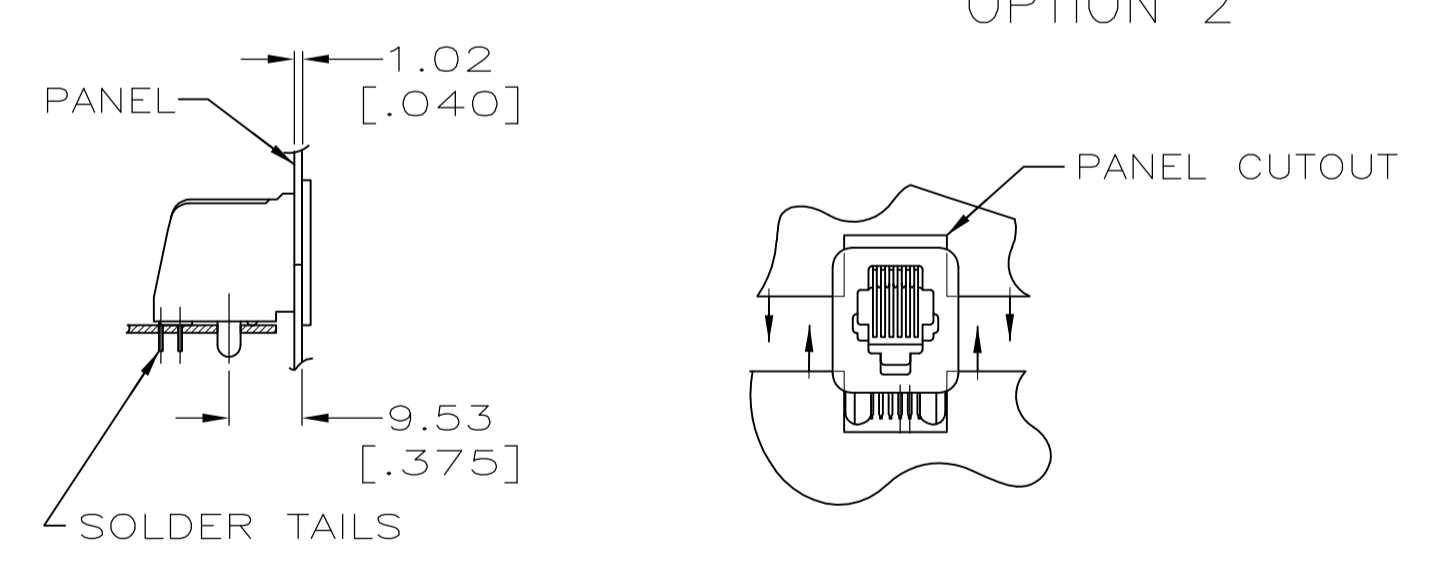
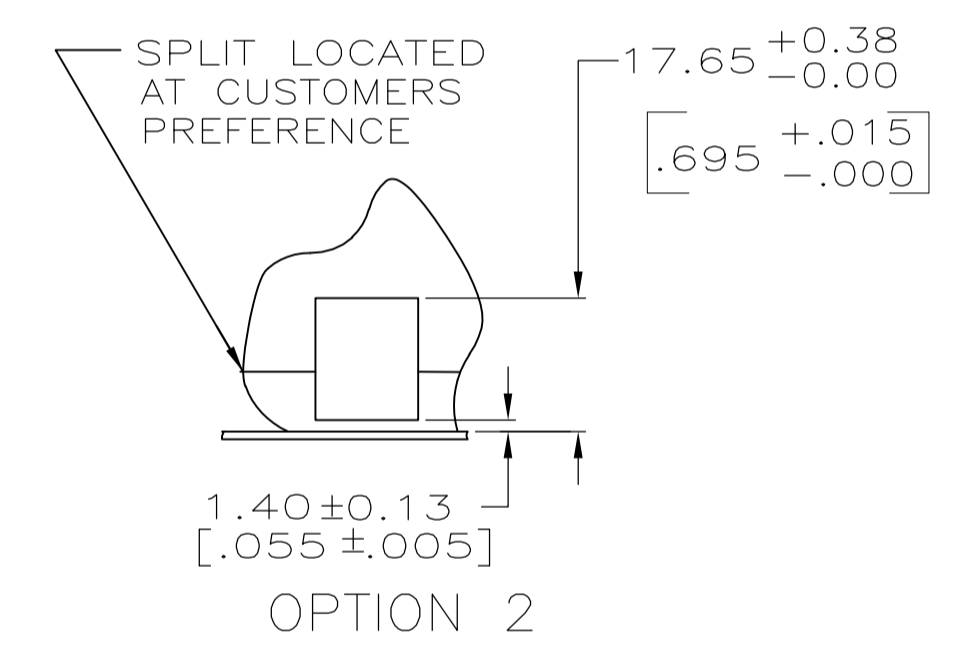
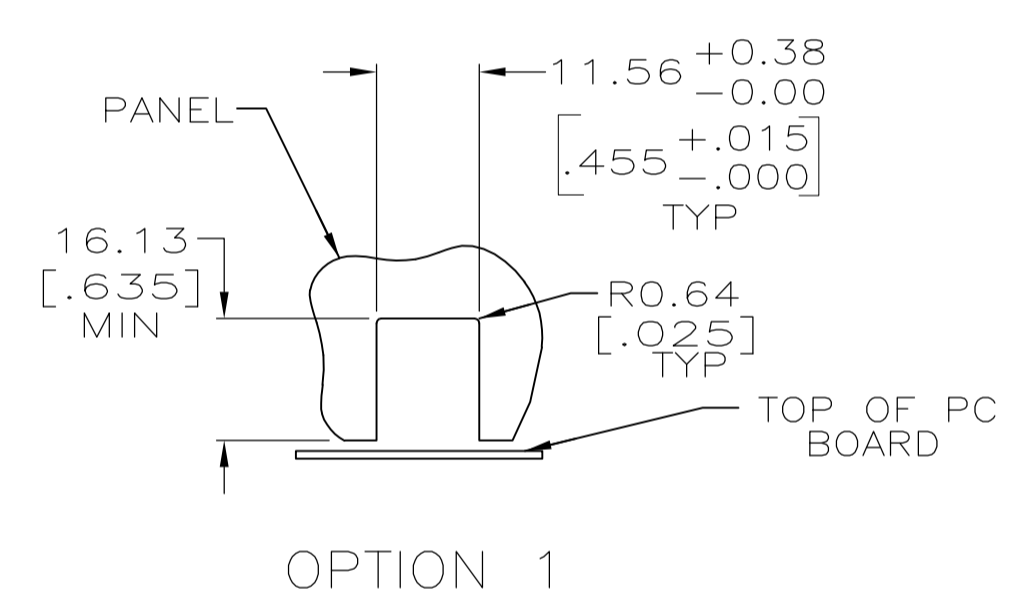
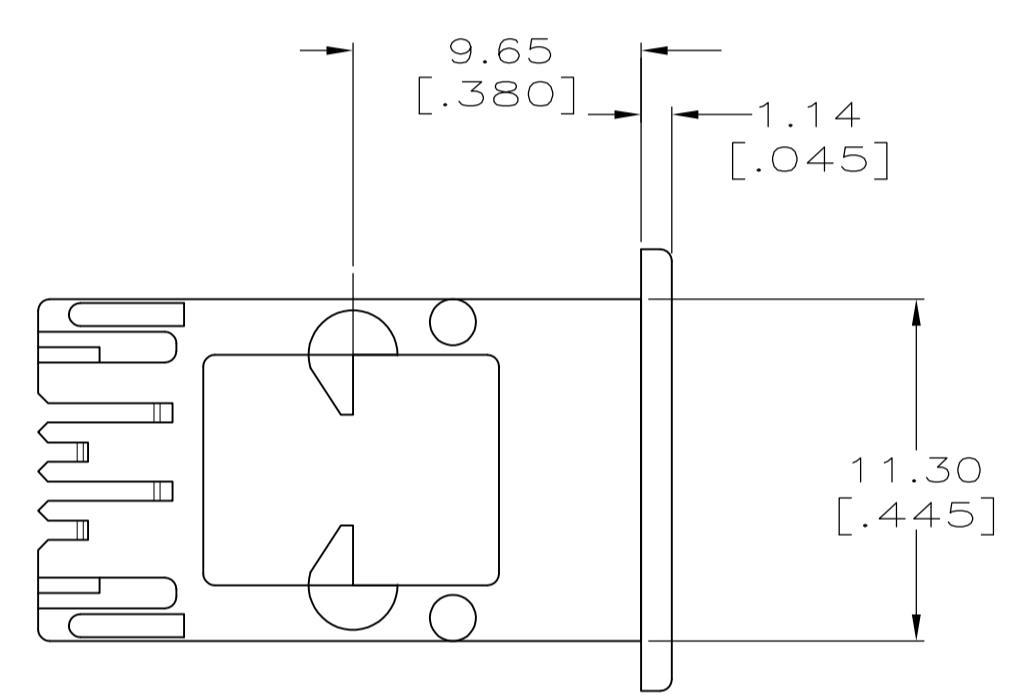
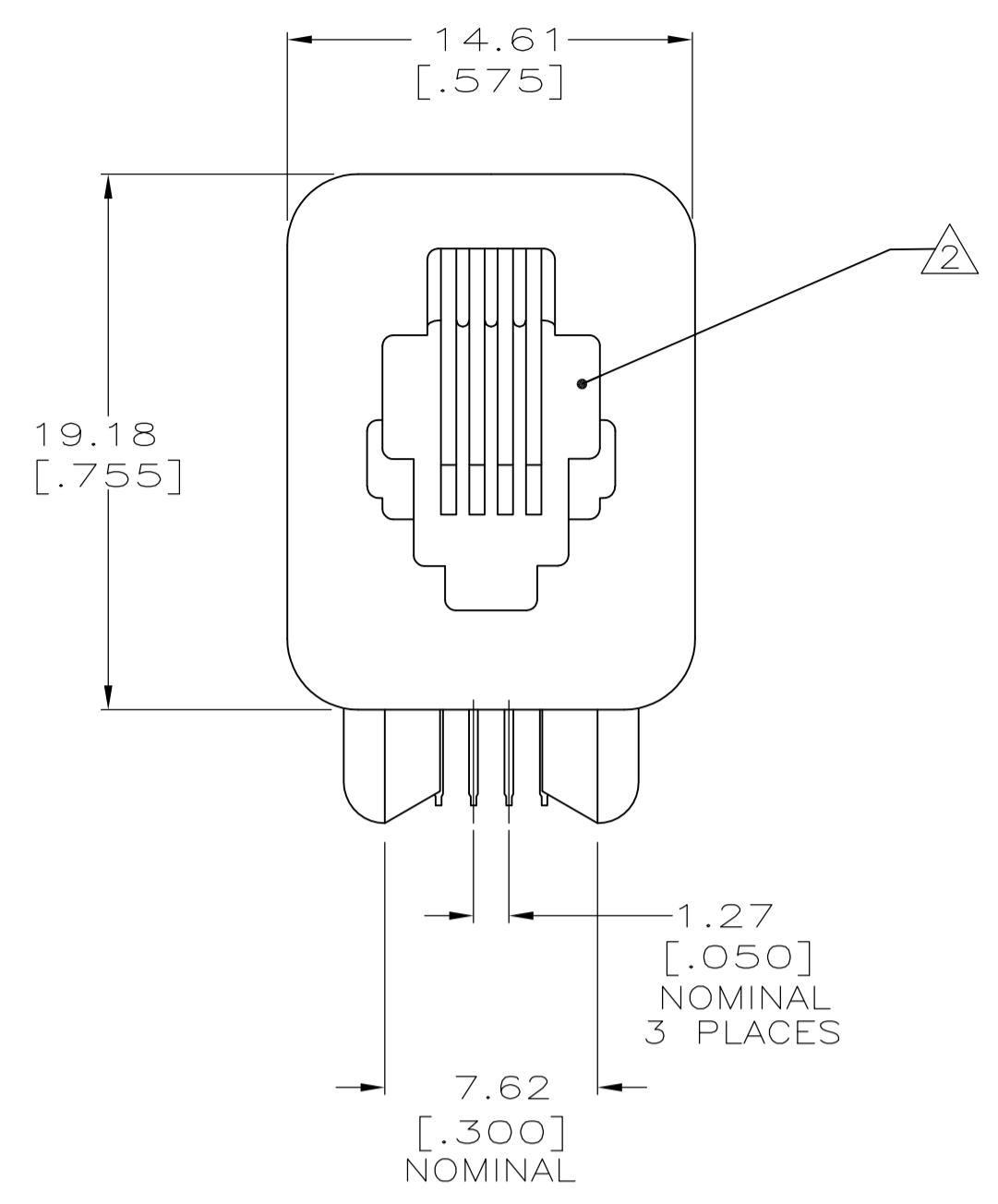
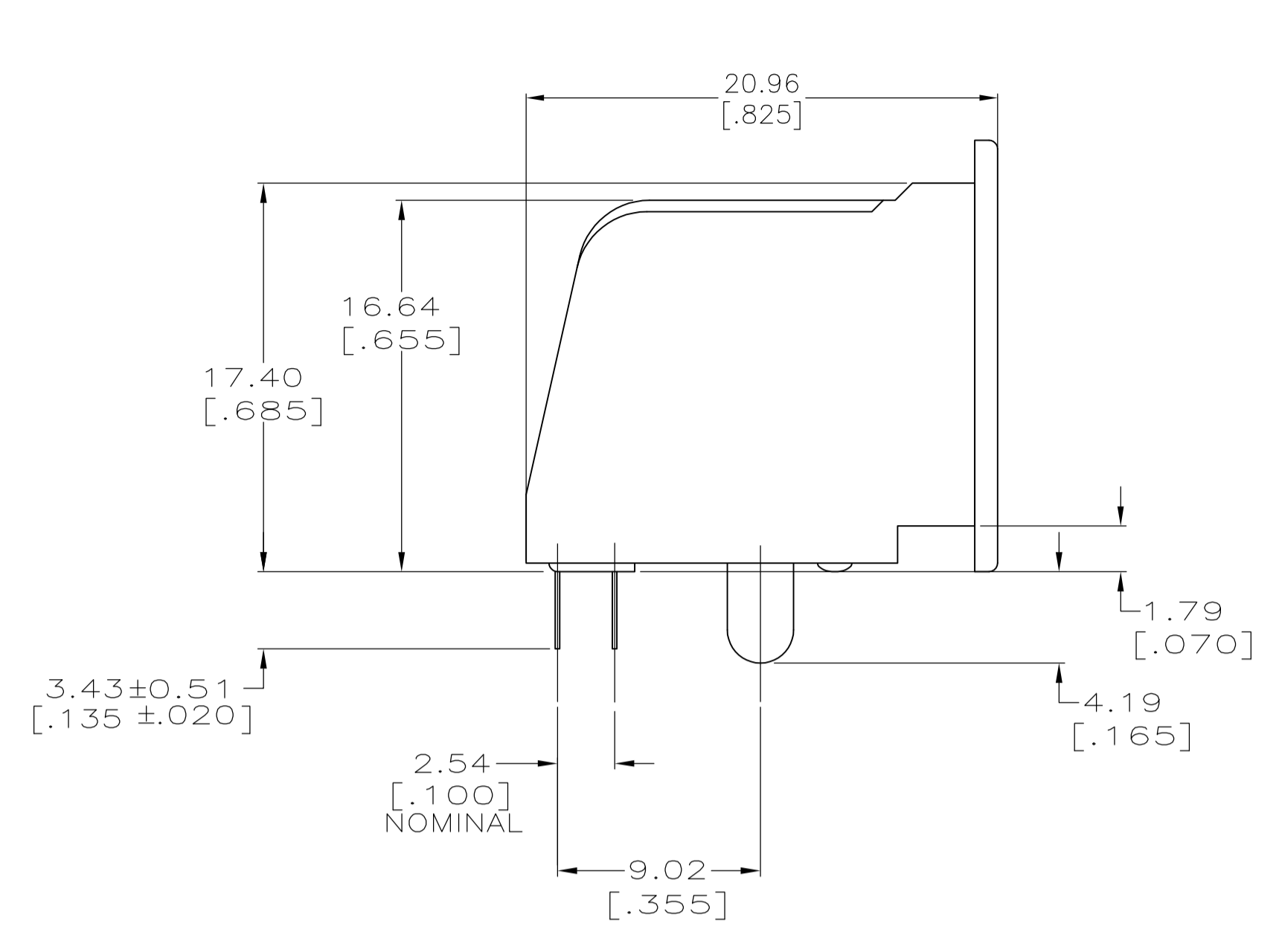
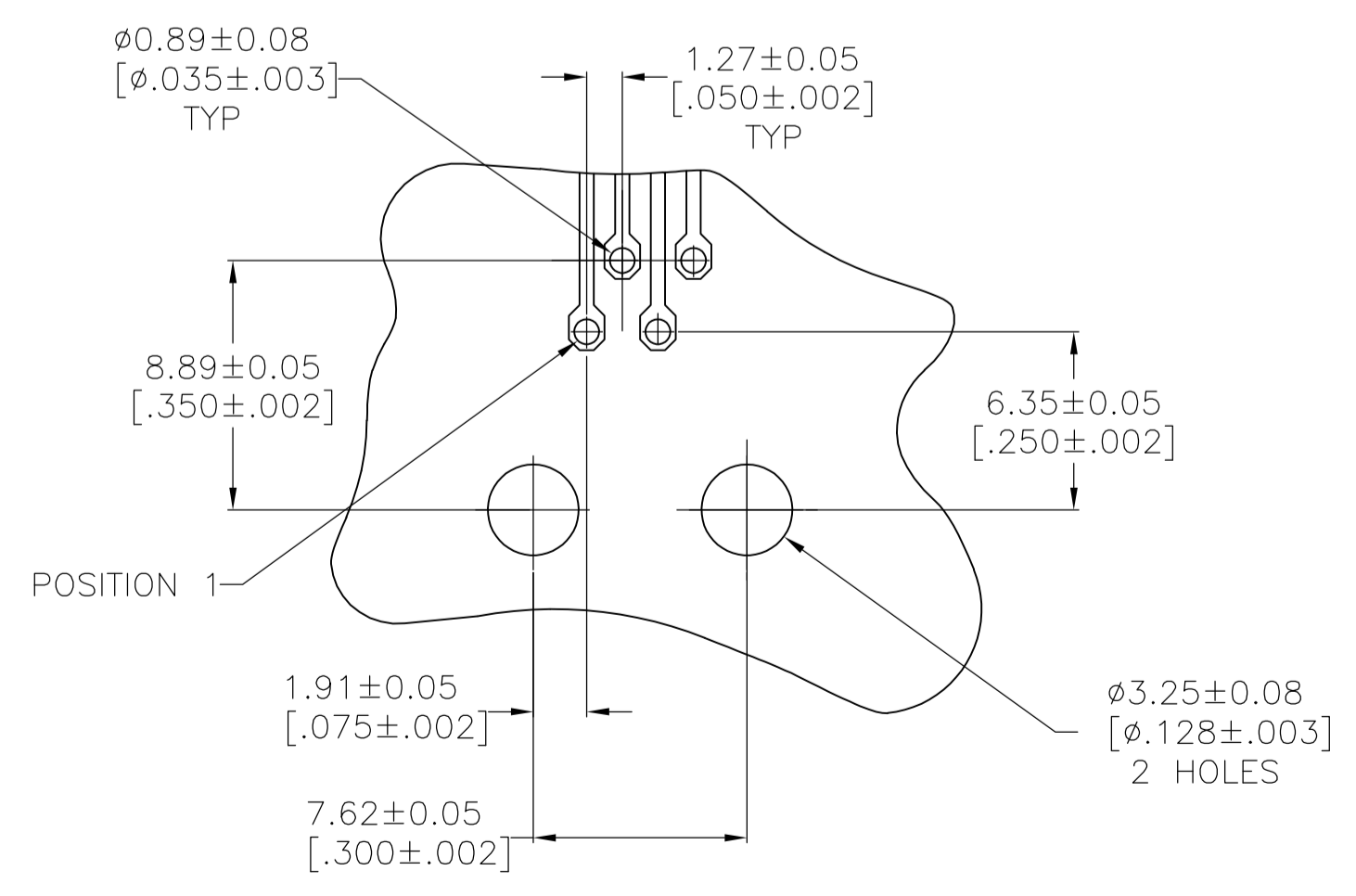


LOC	DIST	REVISIONS			
P	LTR	DESCRIPTION	DATE	DWN	APVD
B	ECO-07-019669		23AUG2007	LAM	PR



RECOMMENDED PANEL CUTOUT GUIDELINES
 SCALE 1:1



RECOMMENDED PRINTED CIRCUIT BOARD LAYOUT
 COMPONENT SIDE

- MATERIAL: HOUSING - PBT POLYESTER
 COLOR: BLACK
 TERMINAL - 0.36 [.014] THICK
 PHOS-BRONZE PLATED WITH
 1.22 μm [.000050] MINIMUM THICK HARD GOLD IN
 LOCALIZED GOLD PLATE AREA AND
 3.81 μm [.0000150] MINIMUM THICK MATTE
 TIN IN SOLDER AREA OVER 1.27 μm [.000050]
 MINIMUM THICK NICKEL UNDERPLATE.
- CAVITY CONFORMS TO FCC RULES AND
 REGULATIONS PART 68 AND REA BULLETIN
 345-81, PE-76 SPECIFICATION FOR
 MODULAR TELEPHONE HARDWARE.
- ALL DIMENSIONS ARE MAXIMUM UNLESS
 OTHERWISE SPECIFIED.

5520241-2
 PART NUMBER

THIS DRAWING IS A CONTROLLED DOCUMENT.		DIN J. ALCORTA - 17JUN2005	Tyco Electronics Corporation Tyco Electronics Corporation Harrisburg, Pa 17105-3608	
DIMENSIONS: mm [INCHES]		CHK J. WESTMAN	APVD S. FLICKINGER	NAME PRINTED CIRCUIT BOARD MODULAR JACK ASSEMBLY, SIDE ENTRY, 4 POSITION, FLANGED
TOLERANCES UNLESS OTHERWISE SPECIFIED:		PRODUCT SPEC 108-1163		RESTRICTED TO
0 PLC ± -		APPLICATION SPEC 114-2048		SIZE A1
1 PLC ± -		CAGE CODE 00779		DRAWING NO 5520241
2 PLC ± -		WEIGHT -		SCALE 1:1
3 PLC ± -		CUSTOMER DRAWING		SHEET 1 OF 1
4 PLC ± -		REV B		