

4

3

2

1

THIS DRAWING IS UNPUBLISHED.

RELEASED FOR PUBLICATION

20

© COPYRIGHT 20

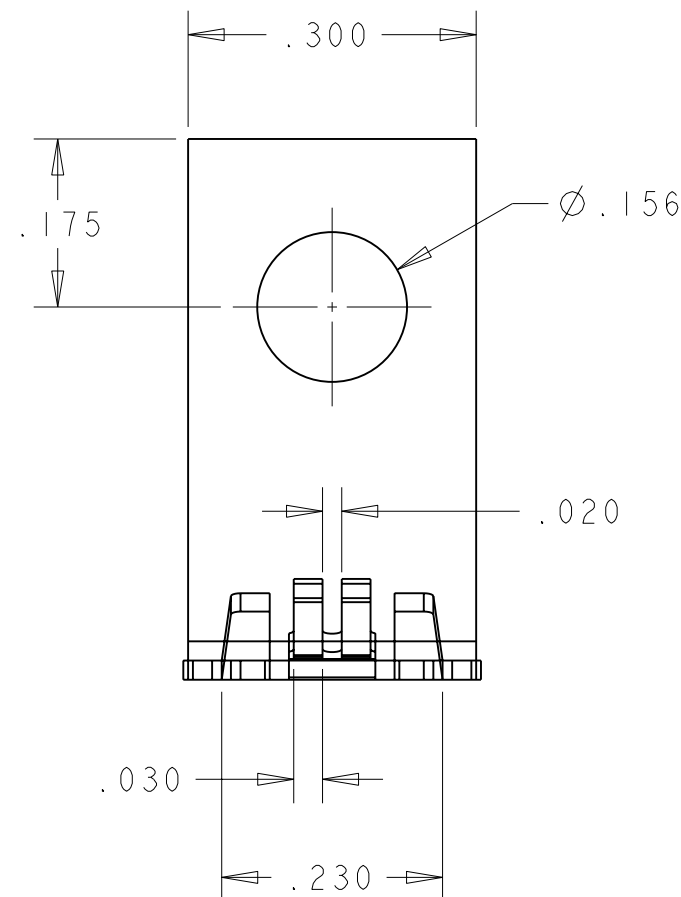
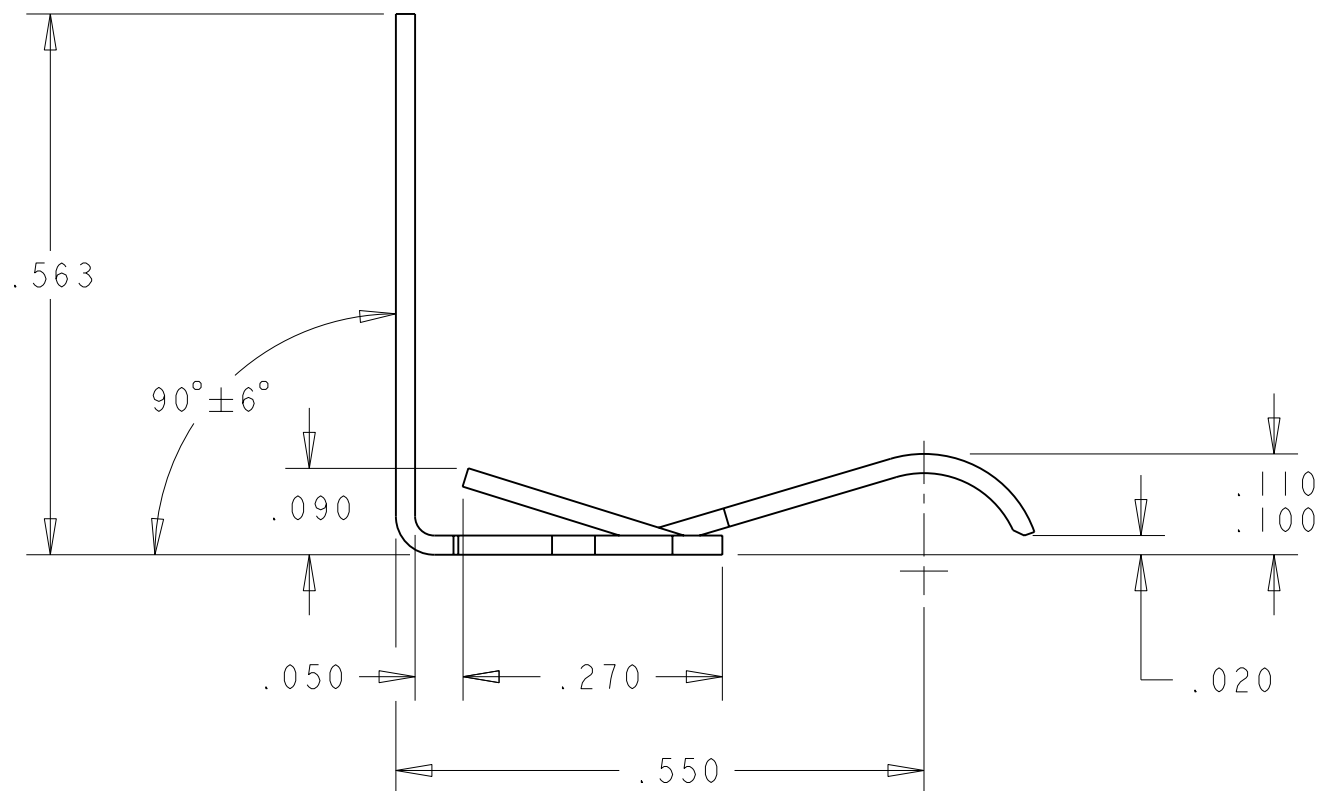
BY TYCO ELECTRONICS CORPORATION. ALL RIGHTS RESERVED.

LOC
FT

DIST
0

REVISIONS

P	LTR	DESCRIPTION	DATE	DWN	APVD
	J	REVISED ECO-06-000922	01FEB2006	SW	SH
	K	REVISED ECO-06-003313	27FEB2006	SW	SH
	L	REVISED ECO-06-004693	01MAR2006	SW	DC



	TIN OVER NICKEL	1-350056-2
OBSOLETE	.000015 GOLD OVER NICKEL	350056-4
	.000030 GOLD OVER NICKEL	350056-3
	TIN-LEAD OVER NICKEL	350056-2
	GOLD FLASH OVER NICKEL	350056-1
	FINISH	PART NUMBER

THIS DRAWING IS A CONTROLLED DOCUMENT FOR TYCO ELECTRONICS CORPORATION. IT IS SUBJECT TO CHANGE AND THE CONTROLLING ENGINEERING ORGANIZATION SHOULD BE CONTACTED FOR THE LATEST REVISION.

DIMENSIONS: INCHES		TOLERANCES UNLESS OTHERWISE SPECIFIED:	
0 PLC	±0	1 PLC	±0
2 PLC	±.02	3 PLC	±.005
4 PLC	±.0005	ANGLES	±0° 30'
MATERIAL	-	FINISH	-

DWN	S. WELDON	31 JAN 2006
CHK	S. HEADER	31 JAN 2006
APVD	S. HEADER	31 JAN 2006
PRODUCT SPEC	-	-
APPLICATION SPEC	-	-
WEIGHT	-	-
CUSTOMER DRAWING		

AMP		Tyco Electronics Harrisburg, PA 17105-3608	
NAME CONTACT, LOOSE PIECE, MULTIPLE TAP			
SIZE	CAGE CODE	DRAWING NO	RESTRICTED TO
A3	00779	350056	-
SCALE 5:1		SHEET 1 OF 1	REV L