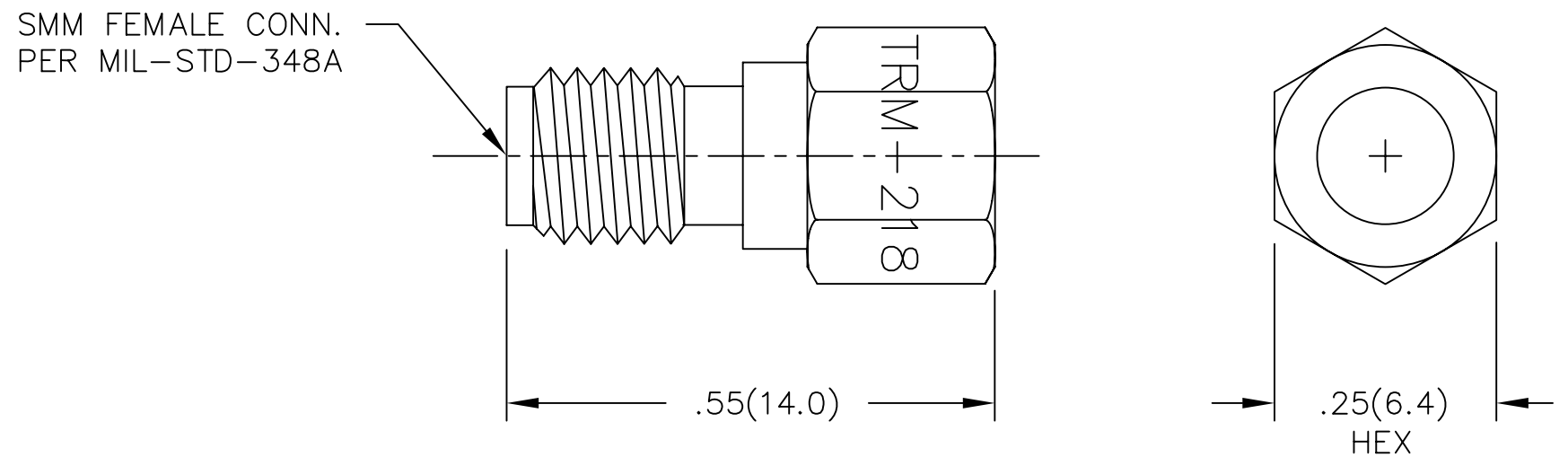


NOTES:

- 1.0 ELECTRICAL SPECIFICATIONS:
 - 1.1 FREQUENCY RANGE: DC to 18.0 GHz
 - 1.2 MAXIMUM INPUT POWER: 0.5 WATTS @ +25°C
 - 1.3 OPERATING TEMP. RANGE: -65°C to +125°C
 - 1.4 IMPEDANCE: 50 OHMS
 - 1.5 VSWR: 1.10+0.01f(GHz)

2.0 MARKING: MARK UNIT AS SHOWN
(REF.: INK-09035-27-39)

3.0 DIMENSIONS IN PARENTHESIS ARE IN
MILLIMETERS.



REV.	DESCRIPTION	DATE
-	RELEASED	5/13/03
A	EON 19329	7/29/03

UNLESS OTHERWISE NOTED DIMENSIONS ARE IN INCHES AND TOLERANCES ARE: 3 PLACE DECIMALS ±.005 2 PLACE DECIMALS ±.02 FRACTIONS ±1/64 PARALLELITY: T.I.R. _____ FLATNESS: T.I.R. _____ CONCENTRICITY: T.I.R. _____ ANGLES AND PERPENDICULARITY: ±1'	FSCM NO. 34078	MIDWEST MICROWAVE	
	NOTICE: The information contained in this drawing is proprietary and must not be used without the permission of Midwest Microwave	TITLE TERMINATION	
		DRAWING NUMBER TRM-2181-FO-SMM-02	
	CHECKED/DATE	APPROVED/DATE	SCALE: 5=1