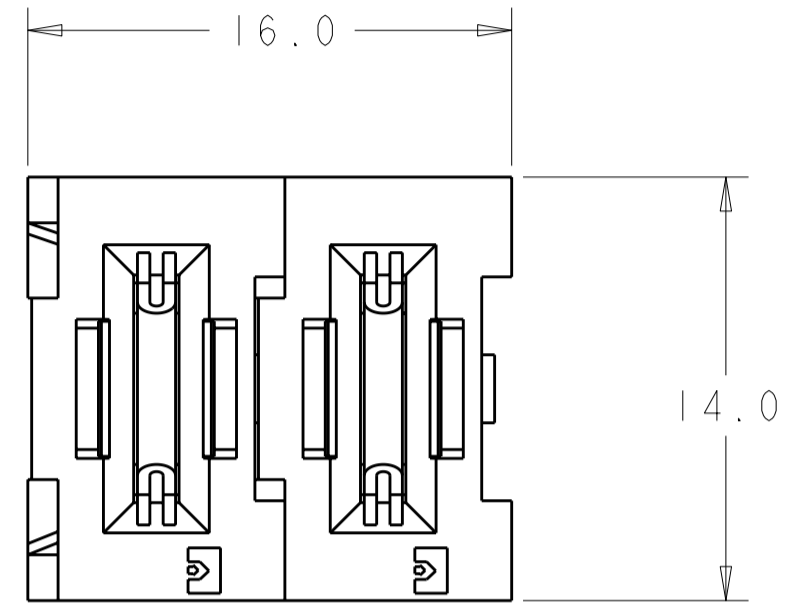


THIS DRAWING IS UNPUBLISHED. RELEASED FOR PUBLICATION 20
 © COPYRIGHT 20 BY TYCO ELECTRONICS CORPORATION. ALL RIGHTS RESERVED.

| LOC | DIST | REVISIONS | | | | | |
|-----|------|-----------|-----|-----------------------|-----------|-----|------|
| GP | 00 | P | LTR | DESCRIPTION | DATE | DWN | APVD |
| | | A | | RELEASED | 04OCT2006 | RG | SF |
| | | B | | REV PER ECO-09-014346 | 23JUN2009 | RG | MS |

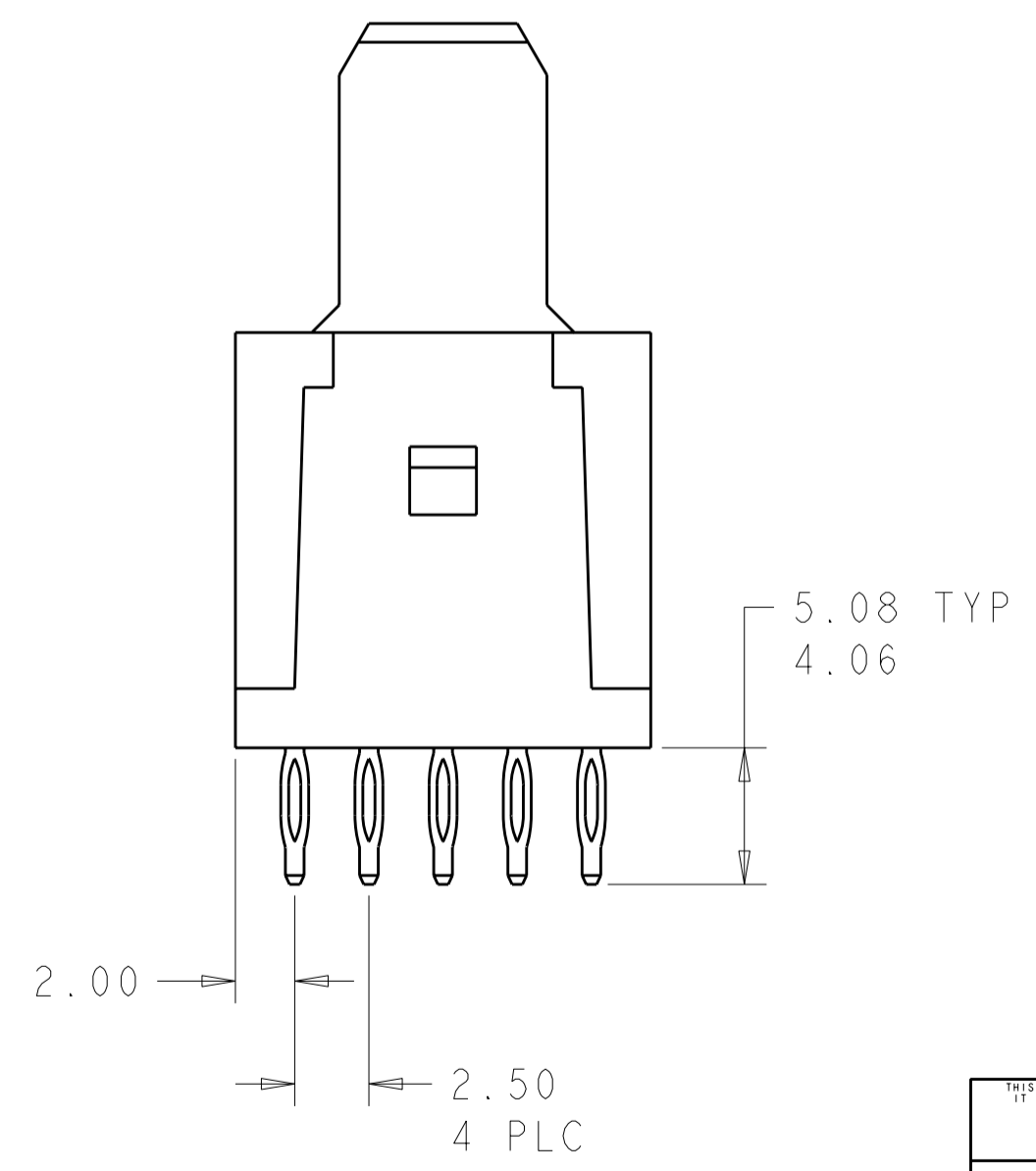
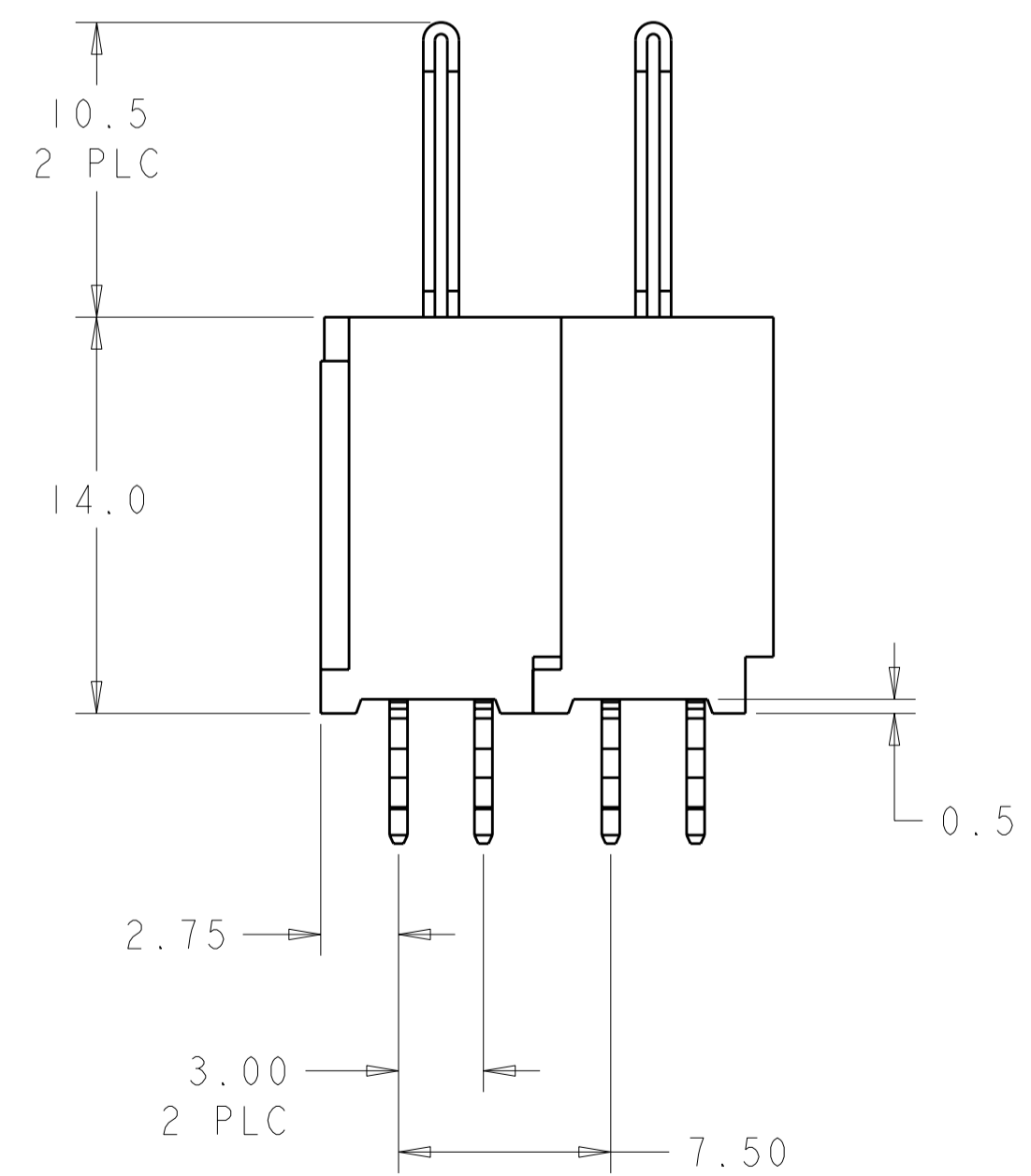


- PART NUMBER CHANGES AND OR DESIGN CHANGES AFFECTING ITEM INTERCHANGEABILITY REQUIRE PRIOR TYCO APPROVAL AND AUTHORIZATION BY REVISION TO THIS DRAWING.
- MATERIAL:
 INSULATORS - THERMOPLASTIC, GLASS REINFORCED, COLOR: BLACK
 UL94V-0 FLAMMABILITY RATED.
 CROWN BANDS - PHOSPHOR BRONZE ALLOY,
 COPPER ALLOY
 POWER CONTACTS: COPPER ALLOY
- FINISH:
 CONTACTS - GOLD PLATE .000030" MIN THK.
 OVER NICKEL .000050" MIN THK.
 COMPLIANT TAILS- MATTE TIN PLATE .000040" MIN. THK.
 OVER NICKEL .000050" MIN THK.
- ITEMS PROVIDED TO THIS SPECIFICATION TO BE IDENTIFIED ON THE CONTAINER PER THE FOLLOWING IDENTIFIER LABEL

TYCO PART NO. XXXXXXXX-X DATE CODE (e.g. 0106) XXXX

YEAR WEEK

5. MATES WITH TYCO P/N 6766003-1



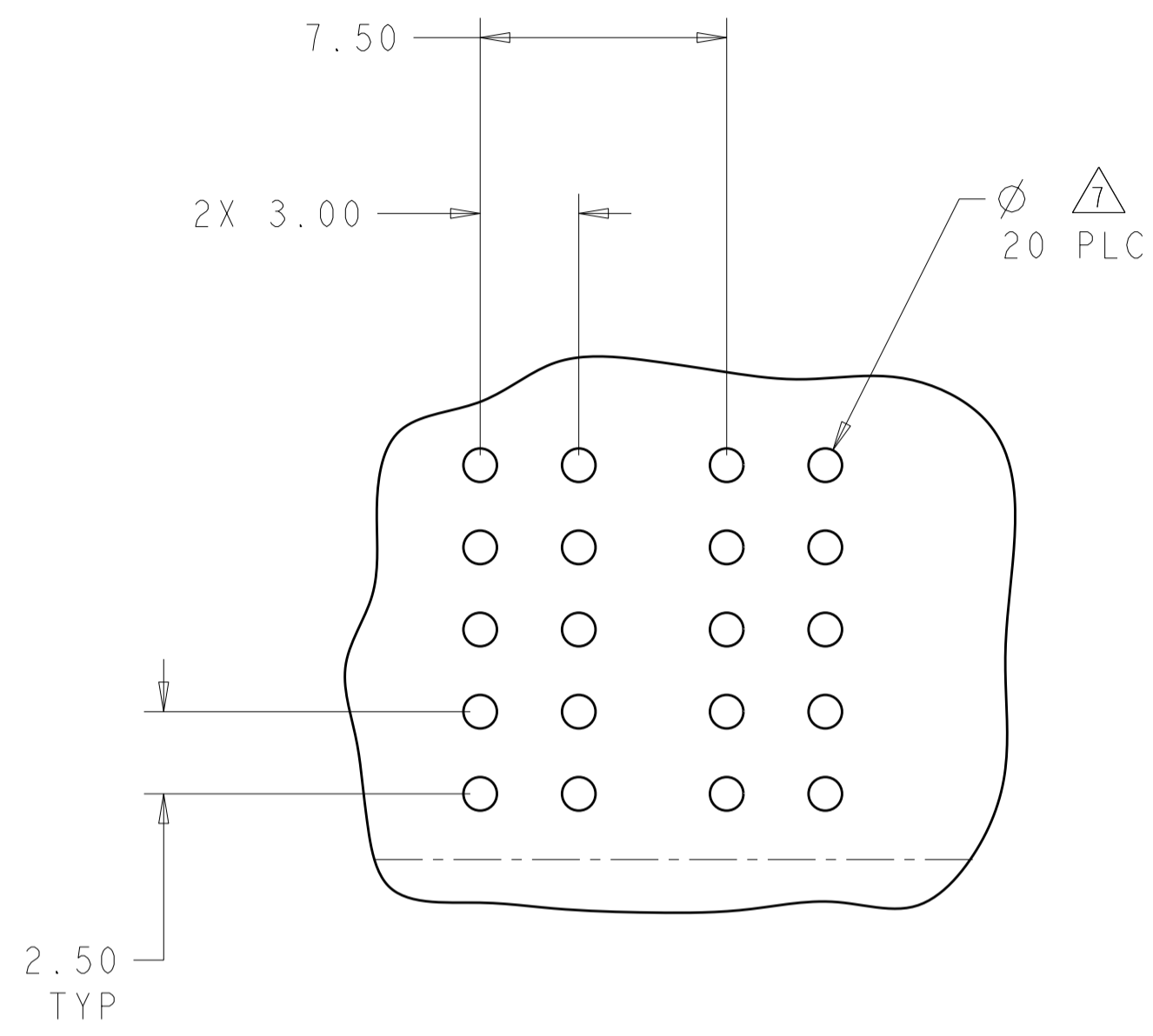
| | |
|-------------|-------------|
| AS SHOWN | 6766002-1 |
| DESCRIPTION | PART NUMBER |

| | | | | |
|---|--|-----------------------------|---|--|
| THIS DRAWING IS A CONTROLLED DOCUMENT FOR TYCO ELECTRONICS CORPORATION. IT IS SUBJECT TO CHANGE AND THE CONTROLLING ENGINEERING ORGANIZATION SHOULD BE CONTACTED FOR THE LATEST REVISION. | | DWN R.GRZYBOWSKI 04OCT2006 | Tyco Electronics Harrisburg, PA 17105-3608 | |
| DIMENSIONS: mm | | CHK S.FLICKINGER 04OCT2006 | | |
| TOLERANCES UNLESS OTHERWISE SPECIFIED: | | APVD S.FLICKINGER 04OCT2006 | NAME STRAIGHT PIN CONNECTOR COMPLIANT TAILS FLATPAQ | |
| 0 PLC ±- | | PRODUCT SPEC - | SIZE CAGE CODE DRAWING NO RESTRICTED TO | |
| 1 PLC ±.3 | | APPLICATION SPEC - | A200779C-6766002 | |
| 2 PLC ±.15 | | WEIGHT - | SCALE 4:1 SHEET 1 OF 3 REV B | |
| 3 PLC ±- | | CUSTOMER DRAWING | | |
| 4 PLC ±- | | | | |
| ANGLES ±.5 | | | | |
| FINISH | | | | |

ELCON FLATPAQ

THIS DRAWING IS UNPUBLISHED. RELEASED FOR PUBLICATION 20
 © COPYRIGHT 20 BY TYCO ELECTRONICS CORPORATION. ALL RIGHTS RESERVED.

| LOC | DIST | REVISIONS | | | |
|-----|------|-------------|-------------|-----|------|
| P | LTR | DESCRIPTION | DATE | DWN | APVD |
| GP | 00 | - | SEE SHEET 1 | - | - |
| | | | | | |
| | | | | | |



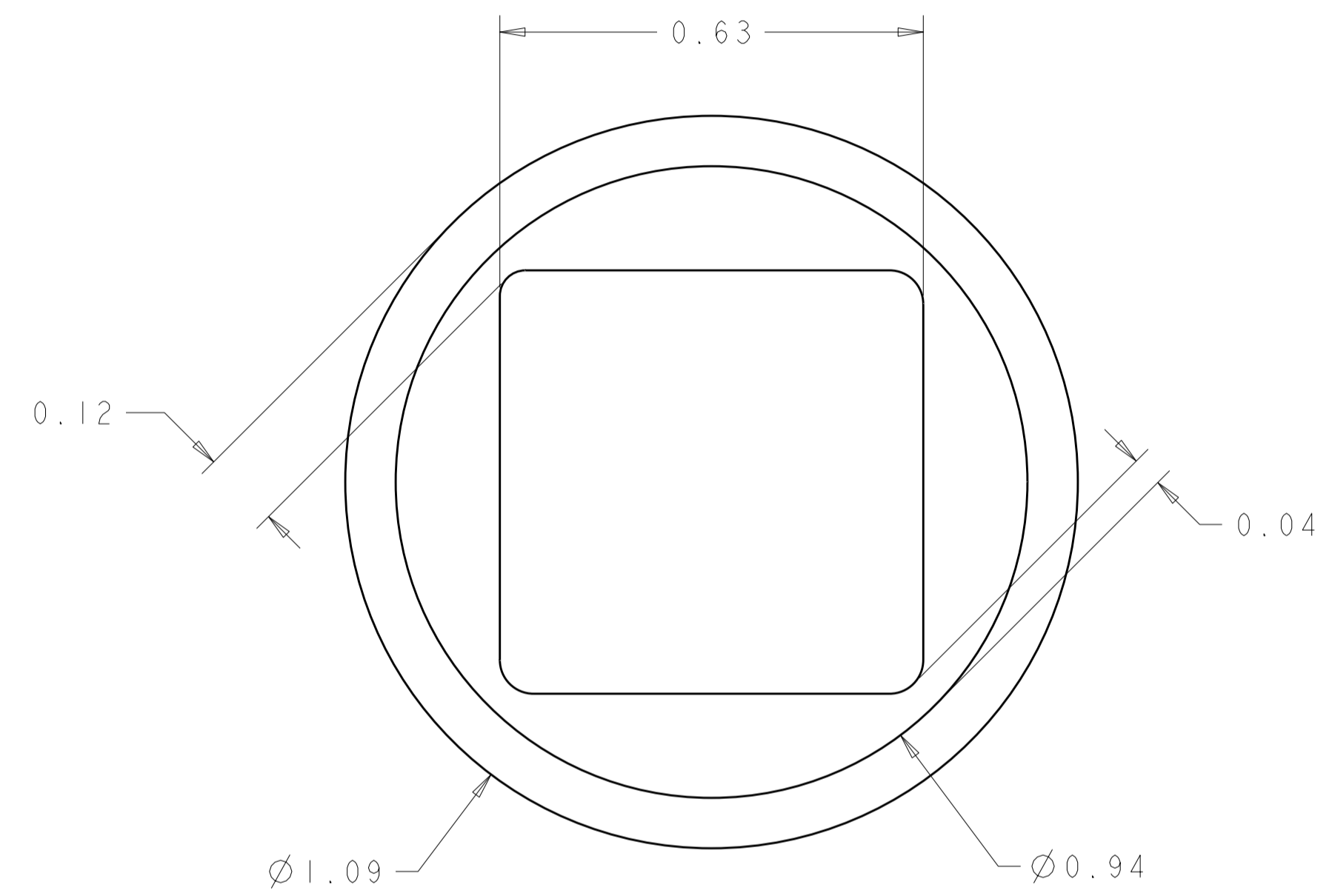
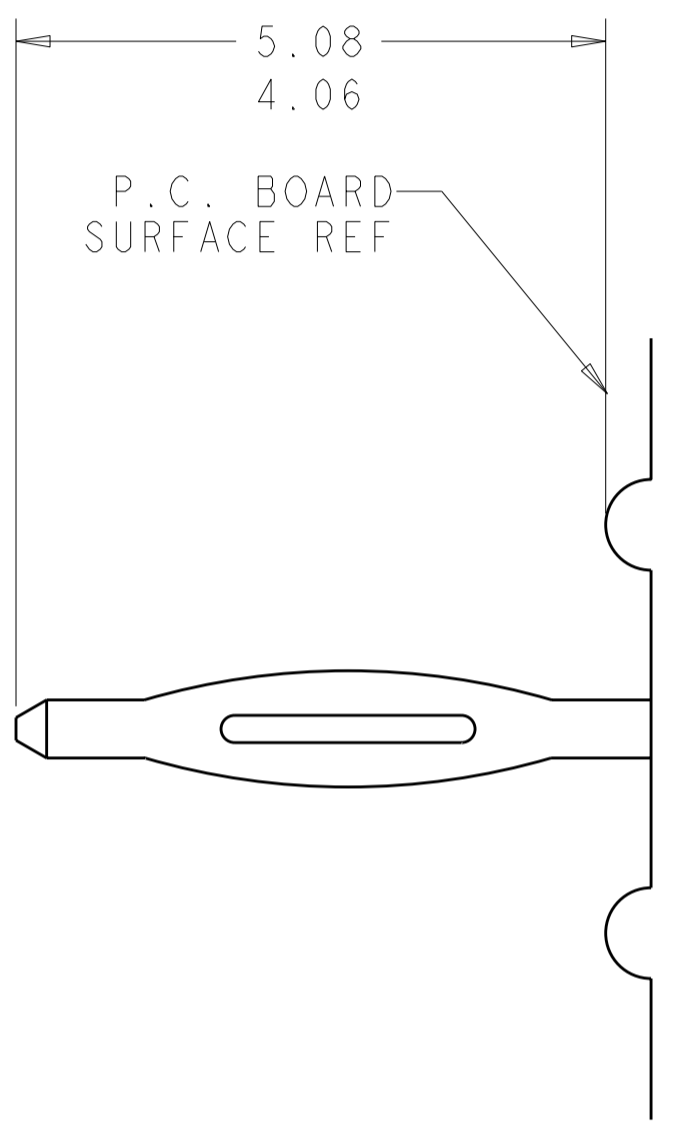
PRINTED CIRCUIT LAYOUT
COMPONENT SIDE

| CONNECTOR | CATALOG MODULE # | QTY | SIZE NO. | CONTACT QTY | MATING PIN | MAX. CURRENT (PER CONTACT) | CONTACT SPACING | VOLTAGE RATING |
|-----------|------------------|-----|----------|-------------|-------------|----------------------------|-----------------|----------------|
| PIN | FP201 | 2 | 8 | 2 | 1.25 X 7.00 | 35 amps | 7.50 | 250 |

| | | | |
|--|---|---|---|
| <small>THIS DRAWING IS A CONTROLLED DOCUMENT FOR TYCO ELECTRONICS CORPORATION. IT IS SUBJECT TO CHANGE AND THE CONTROLLING ENGINEERING ORGANIZATION SHOULD BE CONTACTED FOR THE LATEST REVISION.</small> | | DWN R.GRZYBOWSKI 04OCT2006 CHK S.FLICKINGER 04OCT2006 APVD S.FLICKINGER 04OCT2006 | tyco Electronics Tyco Electronics Harrisburg, PA 17105-3608 |
| DIMENSIONS: mm | TOLERANCES UNLESS OTHERWISE SPECIFIED: 0 PLC ±- 1 PLC ±.3 2 PLC ±.15 3 PLC ±- 4 PLC ±- ANGLES ±.5 FINISH | PRODUCT SPEC - APPLICATION SPEC - WEIGHT - | NAME STRAIGHT PIN CONNECTOR COMPLIANT TAILS FLATPAQ SIZE A200779 CAGE CODE C-6766002 DRAWING NO. 6766002 RESTRICTED TO - |
| MATERIAL - | | CUSTOMER DRAWING SCALE 4:1 SHEET 2 OF 3 REV B | |

THIS DRAWING IS UNPUBLISHED. RELEASED FOR PUBLICATION 20
 © COPYRIGHT 20 BY TYCO ELECTRONICS CORPORATION. ALL RIGHTS RESERVED.

| LOC | DIST | REVISIONS | | | |
|-----|------|-------------|-------------|-----|------|
| P | LTR | DESCRIPTION | DATE | DWN | APVD |
| GP | 00 | - | SEE SHEET 1 | - | - |
| | | | | | |
| | | | | | |



6. COMPLIANT PIN DETAIL
 SCALE 10 : 1
 INSERTION/EXTRACTION FORCES
 MAXIMUM PUSH IN: 133.3N PER PIN (30 LBS)
 MINIMUM PUSH OUT: 44.4N PER PIN (10 LBS)

7. SOLDER TERMINATION AREA
 SCALE 40:1
 RECOMMENDED PRINTED CIRCUIT HOLE
 COMPLIANT PRESS FIT
 DRILLED HOLE: $\varnothing 1.15 \pm .013$
 COPPER PLATE: .025 TO .050
 TIN PLATE: .0005 MIN. (PER SURFACE)

| | | | | |
|--|--|--|--|------------------------|
| THIS DRAWING IS A CONTROLLED DOCUMENT FOR TYCO ELECTRONICS CORPORATION IT IS SUBJECT TO CHANGE AND THE CONTROLLING ENGINEERING ORGANIZATION SHOULD BE CONTACTED FOR THE LATEST REVISION. | | DWN R. GRZYBOWSKI 04OCT2006 | Tyco Electronics Harrisburg, PA 17105-3608 | |
| DIMENSIONS: mm | | CHK S. FLICKINGER 04OCT2006 | NAME STRAIGHT PIN CONNECTOR COMPLIANT TAILS FLATPAQ | |
| TOLERANCES UNLESS OTHERWISE SPECIFIED: | | APVD S. FLICKINGER 04OCT2006 | SIZE A200779 | CAGE CODE C-6766002 |
| 0 PLC \pm - 1 PLC \pm .3 2 PLC \pm .15 3 PLC \pm - 4 PLC \pm - ANGLES \pm .5 FINISH | | PRODUCT SPEC - APPLICATION SPEC - | DRAWING NO - | RESTRICTED TO - |
| MATERIAL - | | WEIGHT - | CUSTOMER DRAWING | |
| | | SCALE 4:1 | SHEET 3 | OF 3 REV B |