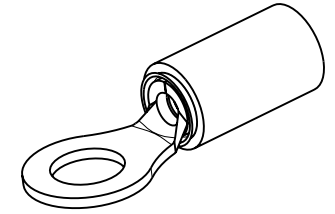
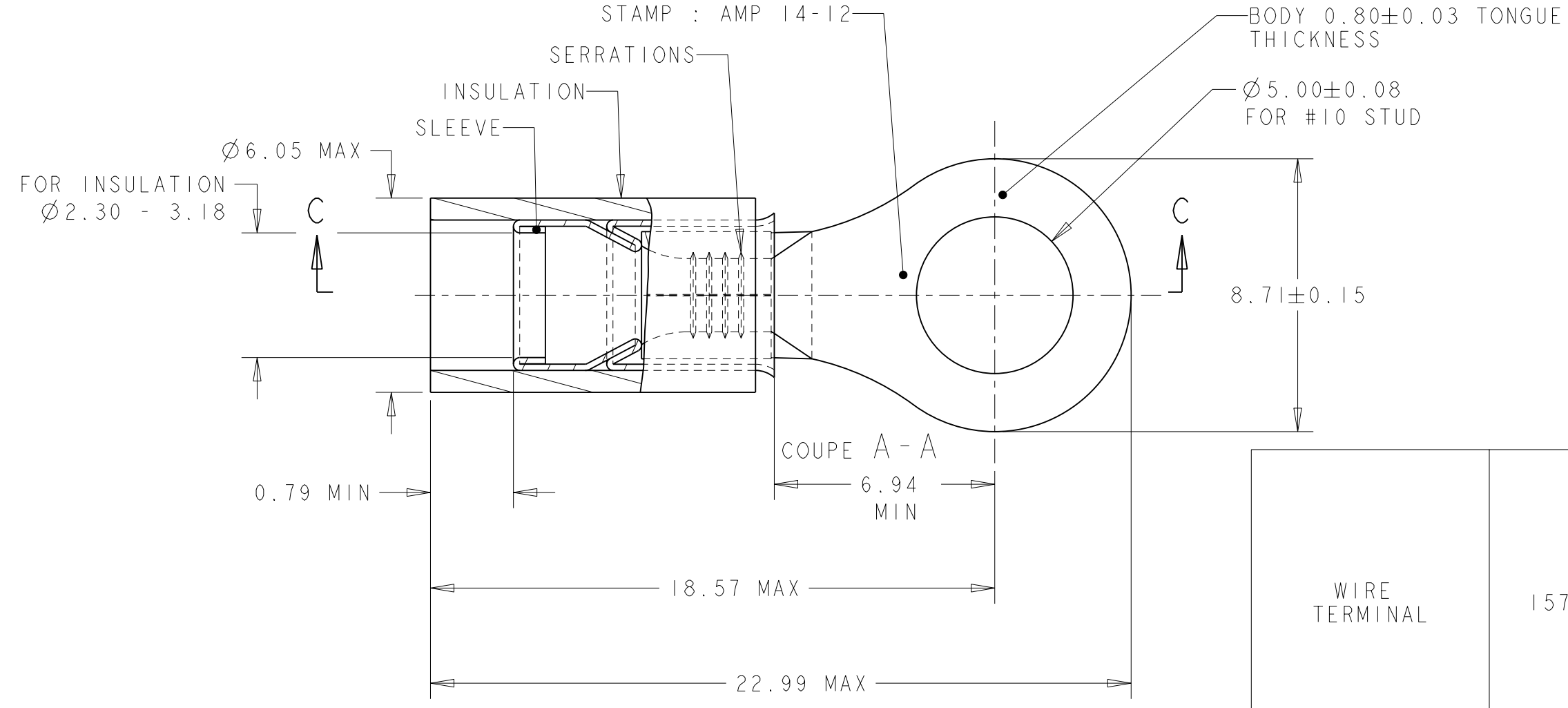
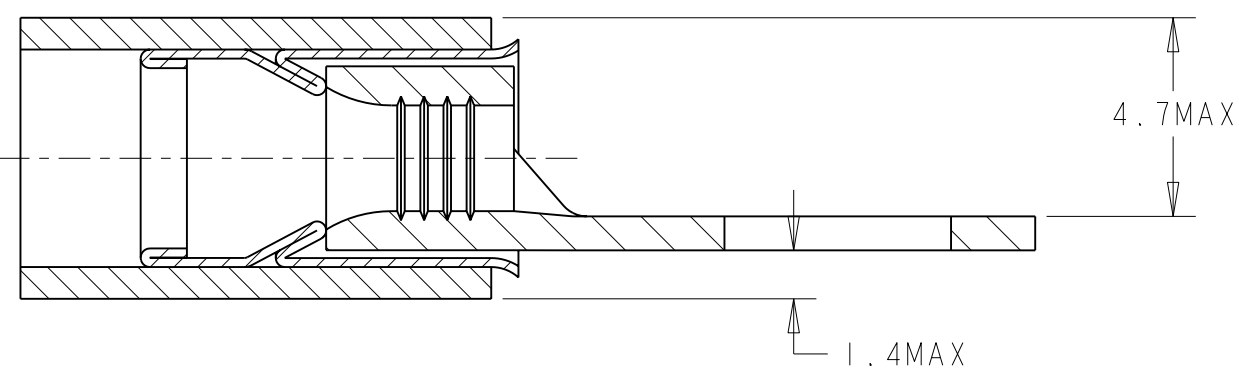


THIS DRAWING IS UNPUBLISHED. RELEASED FOR PUBLICATION 20
 © COPYRIGHT 20 BY TYCO ELECTRONICS CORPORATION. ALL RIGHTS RESERVED.

LOC	DIST	REVISIONS			
P	LTR	DESCRIPTION	DATE	DWN	APVD
F	00	B	ECR 07-025006	29OCT2007	JT GR

COUPE C - C



SCALE 2:1

WIRE TERMINAL	1577640-1	BODY : COPPER ANNEALED FINISH : NICKEL PLATED
		SLEEVE : COPPER ANNEALED FINISH : NICKEL PLATED
		INSULATION : PEEK COLOR : BEIGE
DESCRIPTION	PART NUMBER	MATERIAL & FINISH

THIS DRAWING IS A CONTROLLED DOCUMENT FOR TYCO ELECTRONICS CORPORATION IT IS SUBJECT TO CHANGE AND THE CONTROLLING ENGINEERING ORGANIZATION SHOULD BE CONTACTED FOR THE LATEST REVISION.		DWN	22FEB2006	 Tyco Electronics France SAS 95300 Pontoise, France			
DIMENSIONS: mm		CHK	22FEB2006				
TOLERANCES UNLESS OTHERWISE SPECIFIED:		APVD	22FEB2006				
0 PLC ±- 1 PLC ±0.3 2 PLC ±- 3 PLC ±- 4 PLC ±- ANGLES ±5 FINISH SEE TABLE		NAME	Y. PETRONIN				
MATERIAL SEE TABLE		PRODUCT SPEC	108-15356	TERMINAL, PEEK PIDG STRATO, 14-12 AWG			
		APPLICATION SPEC	114-15102	SIZE	CAGE CODE	DRAWING NO	RESTRICTED TO
		WEIGHT	1,17 gr	A3	00779	1577640	-
CUSTOMER DRAWING				SCALE	6:1	SHEET	1 OF 1
				REV	B		