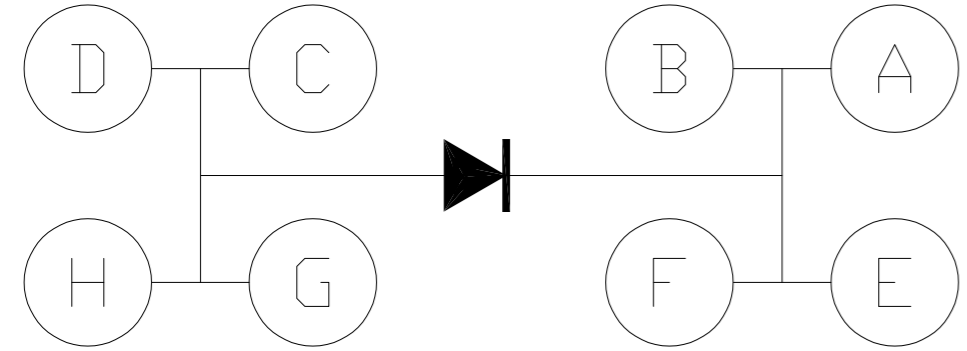
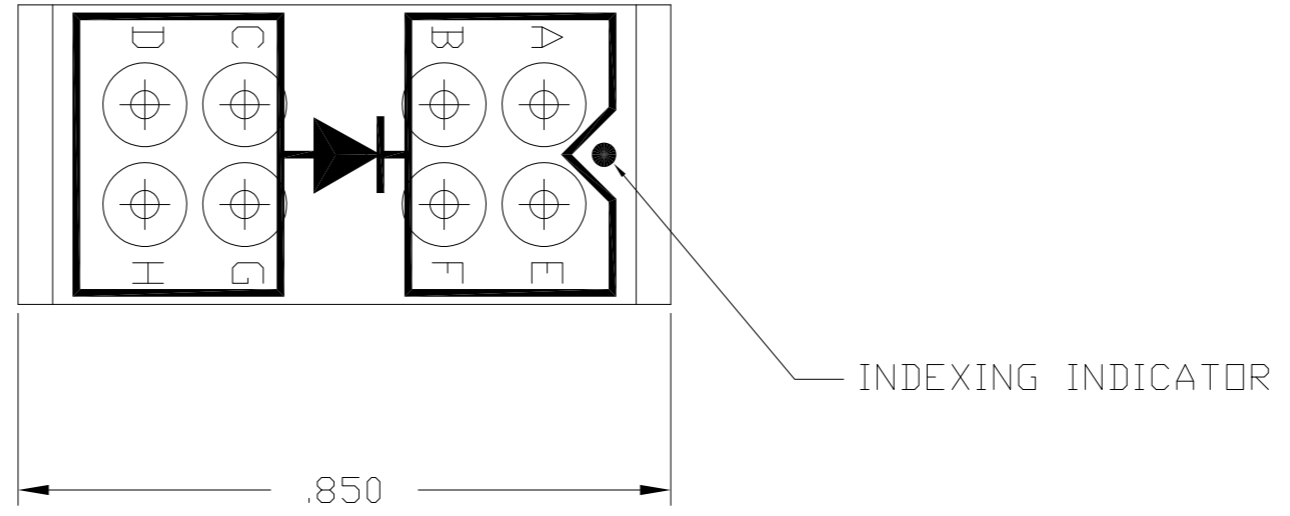
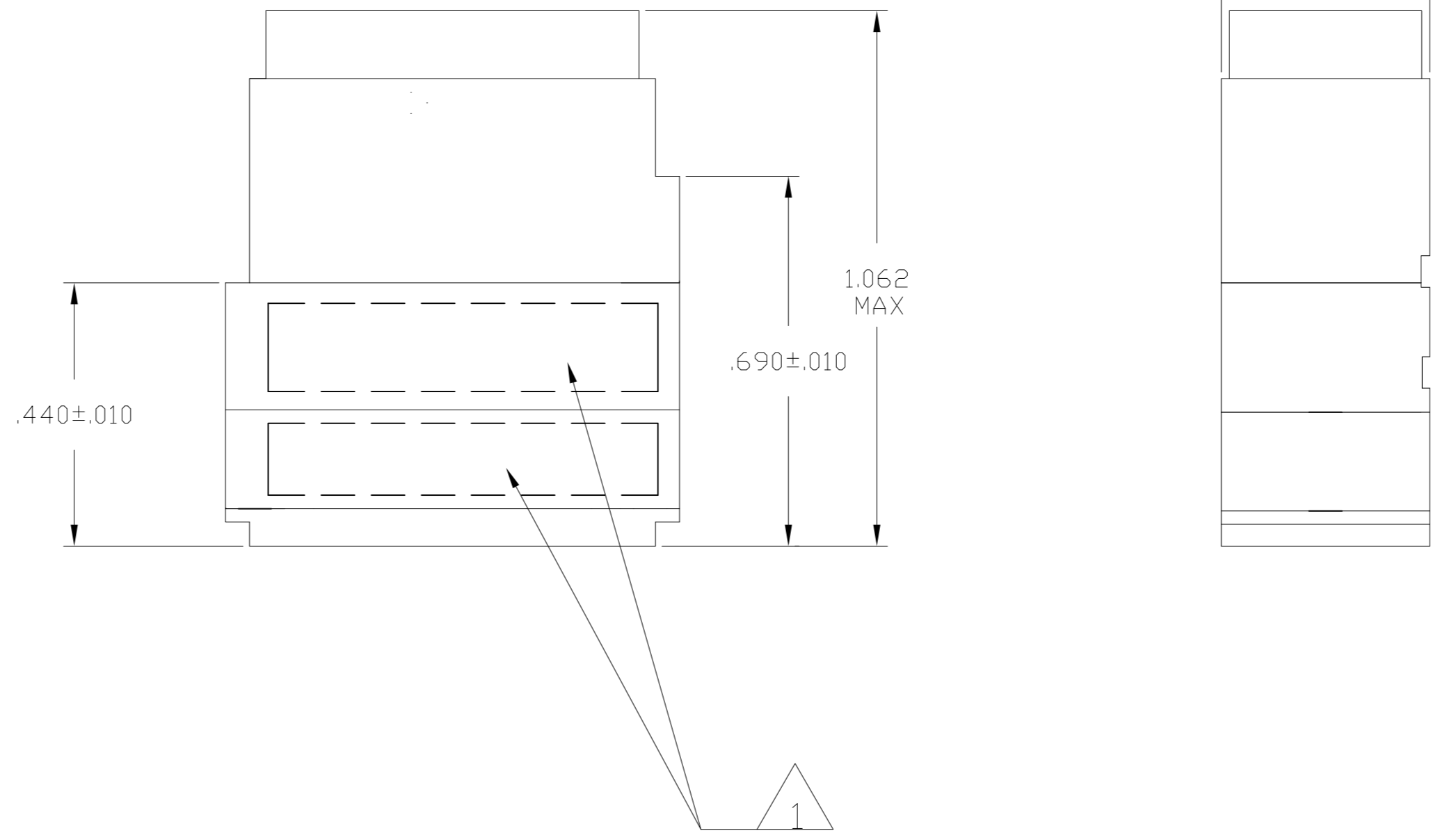


THIS DRAWING IS UNPUBLISHED.		RELEASED FOR PUBLICATION
© COPYRIGHT BY TYCO ELECTRONICS CORPORATION. ALL INTERNATIONAL RIGHTS RESERVED.		
DESCRIPTION	MATERIAL	FINISH
GROMMET	FLUOROSILICONE RUBBER	COLOR: BLUE
MODULE ASSEMBLY	THERMOSET EPOXY	COLOR: BLACK
CONTACT, SOCKET ASSEMBLY	BERYLLIUM COPPER PER ASTM B-194	PER MIL-T-81714
CLIP CONTACT RETAINING	BERYLLIUM COPPER PER ASTM B-194 OR STAINLESS STEEL PER QQ-S-766	NONE
DIODE	JAN1N5418	—

LDC	DIST	REVISIONS					
DF	AO	P	LTR	DESCRIPTION	DATE	DWN	APVD
		A		REV PER ECD 08-000580	15JAN2009	PK	DE



SCHEMATIC DIAGRAM



1 MODULE ASSEMBLY MARKED WITH "AMP", AMP PART NO., AND DATE CODE.

591870-1

THIS DRAWING IS A CONTROLLED DOCUMENT.		DWN N. FRITZ 04-6-94	Tyco Electronics Corporation Harrisburg, PA 17105-3608	
DIMENSIONS: INCHES		CHK R. RYAN 04-6-94	NAME MODULE ASSY, FEEDBACK W/ DIODE, SIZE 20	
TOLERANCES UNLESS OTHERWISE SPECIFIED: 0 PLC ± - 1 PLC ± - 2 PLC ± - 3 PLC ± .005 4 PLC ± - ANGLES ± -		APVD R. RYAN 04-6-94	PRODUCT SPEC APPLICATION SPEC	
MATERIAL SEE TABLE		FINISH SEE TABLE	WEIGHT -	RESTRICTED TO -
CUSTOMER DRAWING		SCALE 4: 1	SHEET 1 OF 1	REV A