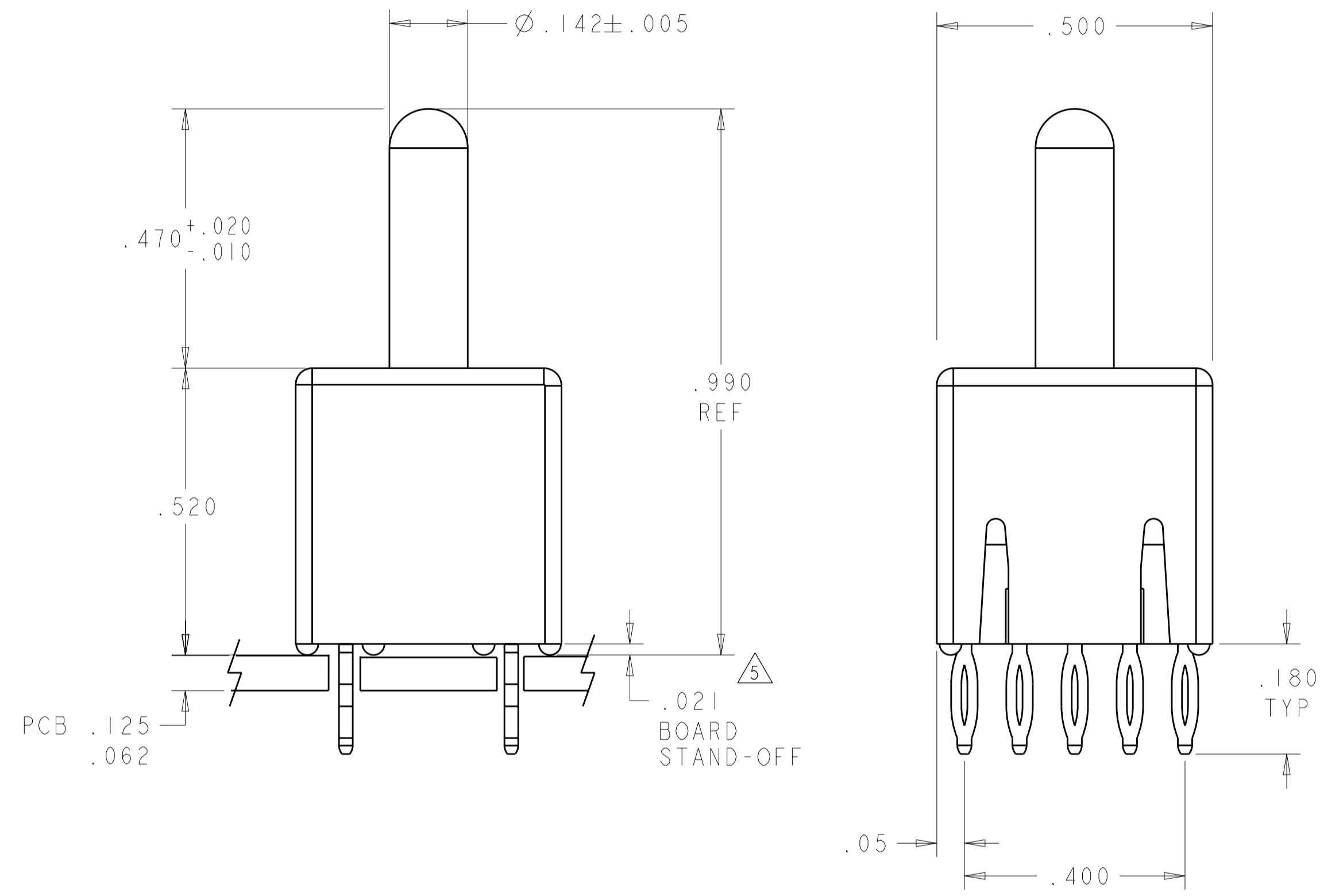
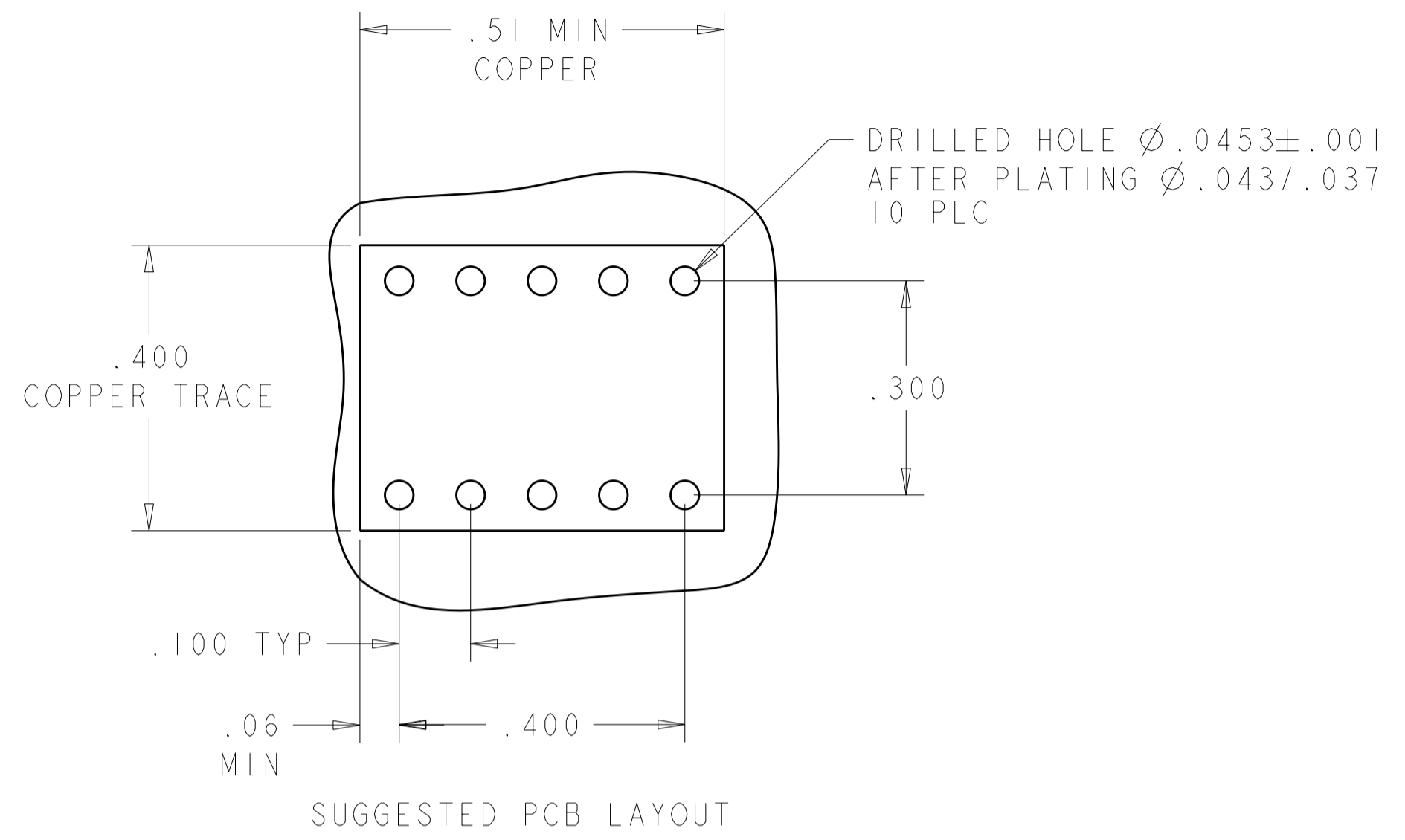


THIS DRAWING IS UNPUBLISHED. RELEASED FOR PUBLICATION 20  
 © COPYRIGHT 20 BY TYCO ELECTRONICS CORPORATION. ALL RIGHTS RESERVED.

LOC	DIST	REVISIONS					
GP	00	P	LTR	DESCRIPTION	DATE	DWN	APVD
		A		RELEASED	07MAR2006	RG	SF
		B		REV PER ECO-10-020184	11JAN2011	RG	NE
		C		REV PER ECO-11-007678	11MAY2011	RG	DO

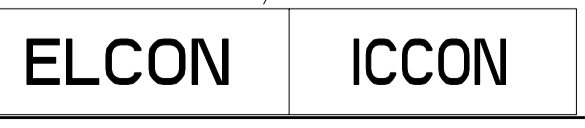


- PART NUMBER CHANGES AND/OR DESIGN CHANGES AFFECTING ITEM INTERCHANGEABILITY REQUIRE PRIOR TE APPROVAL AND AUTHORIZATION BY REVISION TO THIS DRAWING.
- ITEMS PROVIDED TO THIS SPECIFICATION TO BE IDENTIFIED ON CONTAINER WITH THE FOLLOWING INFORMATION:  
PART NUMBER AND DATE CODE OF MFR.

**3 MATERIALS:**  
 INSULATOR-POLYESTER, GLASS FILLED UL 94 V-O RATED  
 MODULE-ZINC ALLOY  
 COMPLIANT PIN-PHOSPHOR BRONZE  
 CONTACT-BRASS ALLOY  
 CROWN-Be Cu

**4 FINISH:**  
 INSULATOR-COLOR BLACK  
 MODULE: .0002 [5.08 MICRONS] MIN THK. SILVER  
 OVER .00004 [1.02 MICRONS] MIN. THK. NICKEL  
 COMPLIANT PINS- .0002 [5.08 MICRONS] MIN THK. SILVER  
 OVER .00004 [1.02 MICRONS] MIN. THK. NICKEL  
 CROWN- .000040 [1.02 MICRONS] MIN THKGOLD (IN CONTACT AREA)  
 OVER .00004 [1.02 MICRONS] MIN. THK. NICKEL  
 CONTACT PIN: .0002 [5.08 MICRONS] MIN THK. SILVER  
 OVER .00004 [1.02 MICRONS] MIN. THK. NICKEL

**5** A FIVE - POUND (5lb) FORCE IS REQUIRED TO CORRECTLY SEAT THE CONNECTOR WITH PLATED THRU HOLES LESS THAN Ø.040 INCH



THIS DRAWING IS A CONTROLLED DOCUMENT FOR TYCO ELECTRONICS CORPORATION IT IS SUBJECT TO CHANGE AND THE CONTROLLING ENGINEERING ORGANIZATION SHOULD BE CONTACTED FOR THE LATEST REVISION.		DWN R. GRZYBOWSKI 06MAR06	AS SHOWN		6643274-1
DIMENSIONS: INCHES		CHK S. FLICKINGER 06MAR06	DESCRIPTION		PART NUMBER
TOLERANCES UNLESS OTHERWISE SPECIFIED: 0 PLC ± 1 PLC ± 2 PLC ±.020 3 PLC ±.010 4 PLC ± ANGLES ±.5 FINISH		APVD S. FLICKINGER 06MAR06	tyco Electronics		Tyco Electronics Harrisburg, PA 17105-3608
MATERIAL		PRODUCT SPEC APPLICATION SPEC	NAME		ICCON PIN, PERPENDICULAR COMPLIANT, NON-LOCKING STYLE (BLACK)
		WEIGHT	SIZE	CAGE CODE	DRAWING NO
		CUSTOMER DRAWING	A2	00779	6643274
		SCALE	5:1	SHEET	OF 1
		REV			C