

4

3

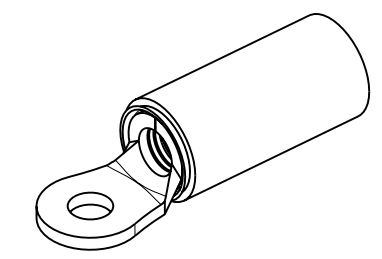
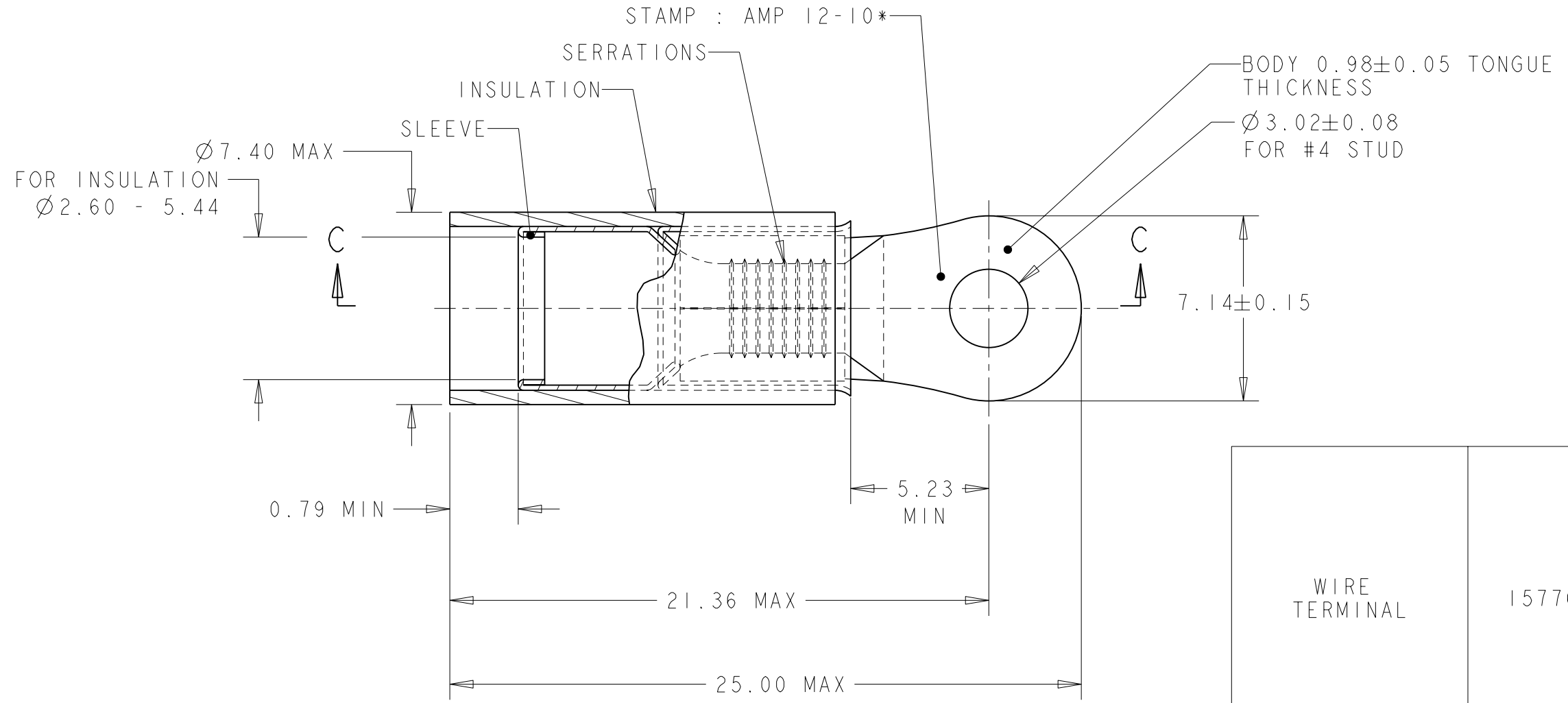
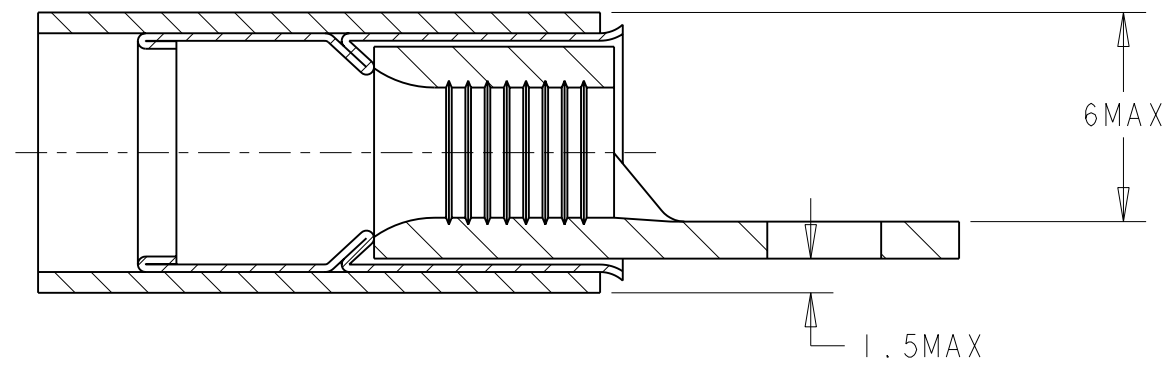
2

1

THIS DRAWING IS UNPUBLISHED. RELEASED FOR PUBLICATION 20  
 © COPYRIGHT 20 BY TYCO ELECTRONICS CORPORATION. ALL RIGHTS RESERVED.

LOC	DIST	REVISIONS			
P	LTR	DESCRIPTION	DATE	DWN	APVD
F	00	B	ECR 07-025006	29OCT2007	JT GR

COUPE C-C



SCALE 2:1

WIRE TERMINAL	1577644-1	BODY : COPPER ANNEALED FINISH : NICKEL PLATED
		SLEEVE : COPPER ANNEALED FINISH : NICKEL PLATED
		INSULATION : PEEK COLOR : BLACK
DESCRIPTION	PART NUMBER	MATERIAL & FINISH

THIS DRAWING IS A CONTROLLED DOCUMENT FOR TYCO ELECTRONICS CORPORATION IT IS SUBJECT TO CHANGE AND THE CONTROLLING ENGINEERING ORGANIZATION SHOULD BE CONTACTED FOR THE LATEST REVISION.		DWN	27FEB2006	Tyco Electronics France SAS 95300 Pontoise, France
DIMENSIONS: mm		CHK	27FEB2006	
TOLERANCES UNLESS OTHERWISE SPECIFIED: 0 PLC ±- 1 PLC ±0.30 2 PLC ±- 3 PLC ±- 4 PLC ±- ANGLES ±5		APVD	27FEB2006	
MATERIAL SEE TABLE		FINISH	SEE TABLE	
PRODUCT SPEC 108-15356		NAME		TERMINAL, PEEK PIDG STRATO, 10 AWG
APPLICATION SPEC 114-15102		SIZE	CAGE CODE	
WEIGHT		2,13 gr		RESTRICTED TO
CUSTOMER DRAWING		A300779		©=1577644
SCALE		5:1		SHEET 1 OF 1
REV		B		