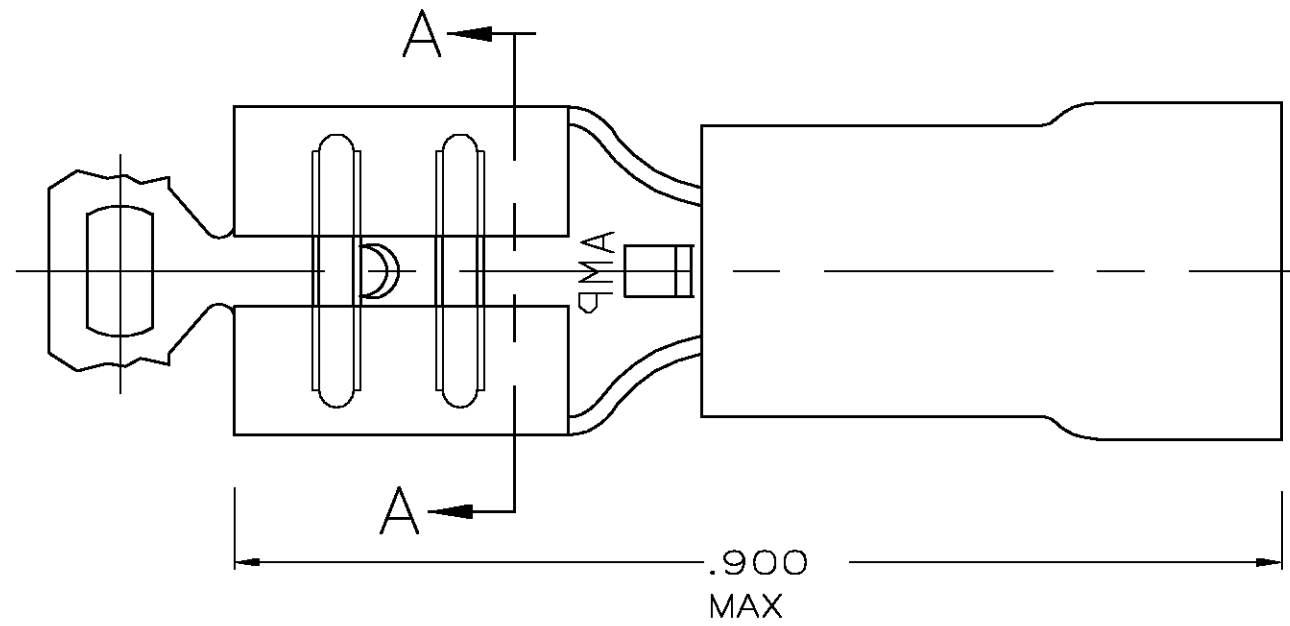
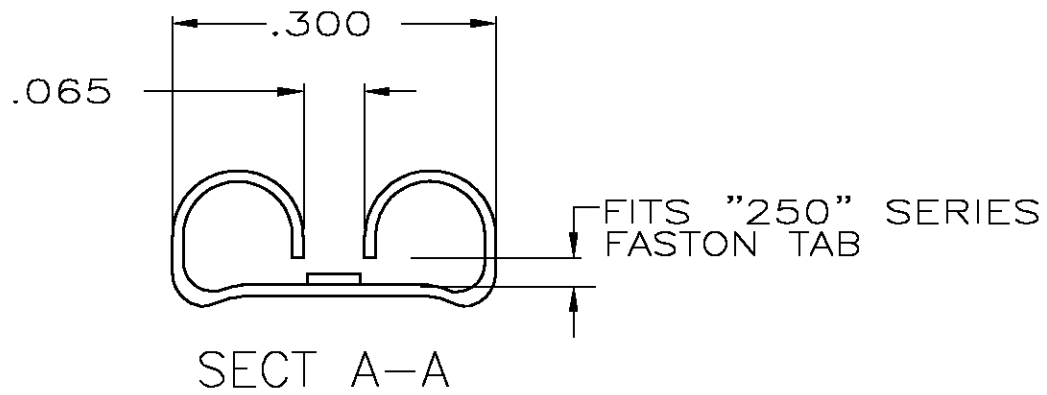
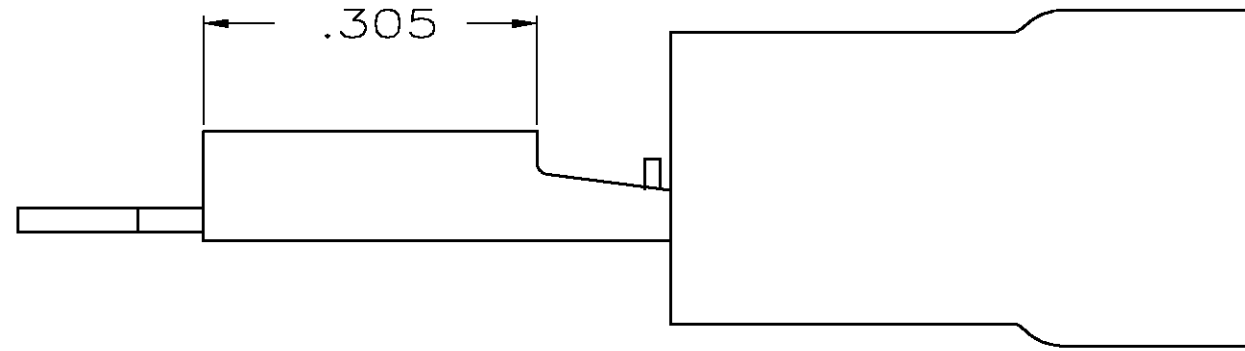


LOC	DIST	REVISIONS			
P	LTR	DESCRIPTION	DATE	DWN	APVD
G	14	G	REV PER 0G3A-0319-03	27MAY03	JR TM



- 1. INSULATION DIA .170 MAX
- 2. FITS TAB .032 THK

AMP WIRE RANGE	FILE E66717	LR7189 Certified
16-14 AWG STRANDED	16-14 AWG STRANDED	16-14 AWG STRANDED



QTY	PACKAGE TYPE	PART NO
-	-	640904-1

AMP INCORPORATED CUSTOMER SERVICE SYSTEMS	
FOR ADDITIONAL PRODUCT INFORMATION OR COPIES OF DRAWINGS AND TECHNICAL DOCUMENTS	PRODUCT INFORMATION CENTER 1-800-522-6752
FOR APPLICATION TOOLING INFORMATION	TOOLING ASSISTANCE CENTER 1-800-722-1111
FOR ORDER ENTRY	1-800-526-5142

MAX RECOMMENDED OPERATING TEMPERATURE: 105° C
VOLTAGE RATING: 300V MAX
CIRCULAR MIL AREA: 2,050-5,180 STRANDED

THIS DRAWING IS A CONTROLLED DOCUMENT.	
DIMENSIONS: INCHES	TOLERANCES UNLESS OTHERWISE SPECIFIED:
	0 PLC ± - 1 PLC ± - 2 PLC ± .015 3 PLC ± - 4 PLC ± - ANGLES ± -
MATERIAL BODY, BRASS .018	FINISH BODY, TIN

DWN L OLMEDA 26JUN95
CHK M ELLIS 26JUN95
APVD B BARE 26JUN95
PRODUCT SPEC UL 310
APPLICATION SPEC 114-1002
WEIGHT -
CUSTOMER DRAWING

		Tyco Electronics Corporation Harrisburg, PA 17105	
NAME RECEPTACLE, 250 SERIES, FASTON, PIDG, 16-14			
SIZE A3	CAGE CODE 00779	DRAWING NO 640904	RESTRICTED TO -
SCALE 6:1	SHEET 1 OF 1	REV G	