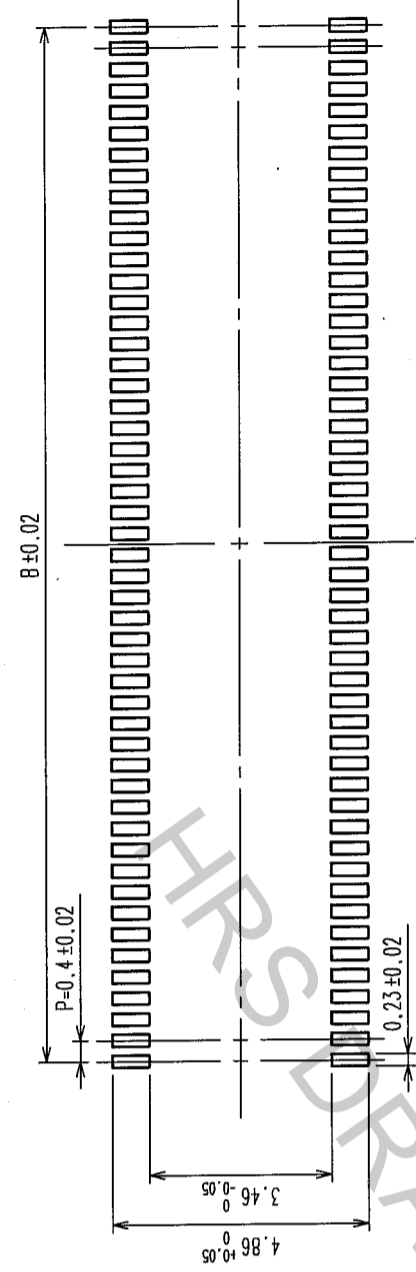
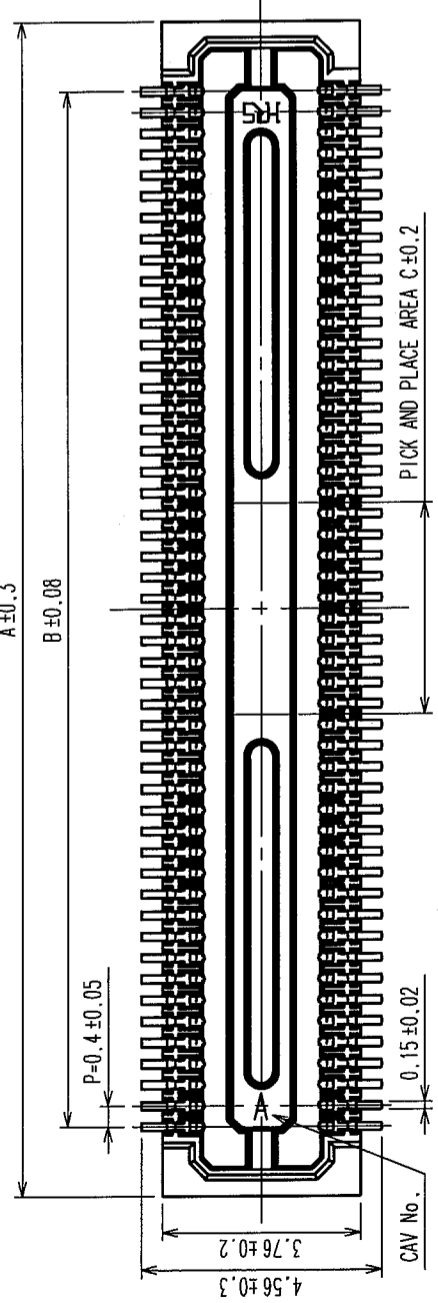
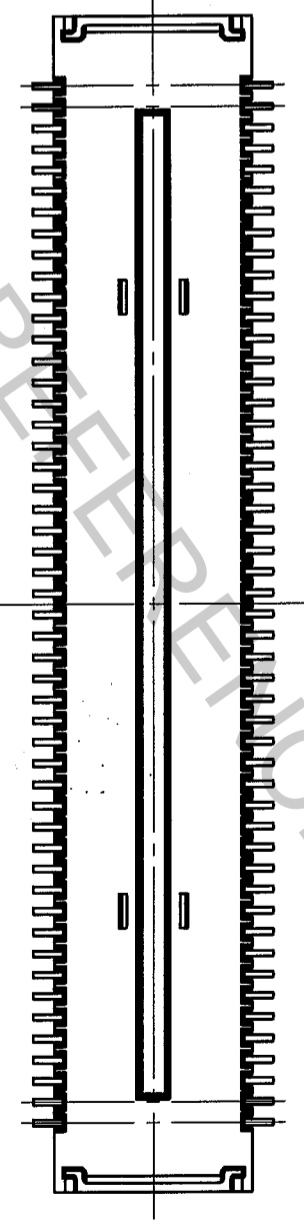
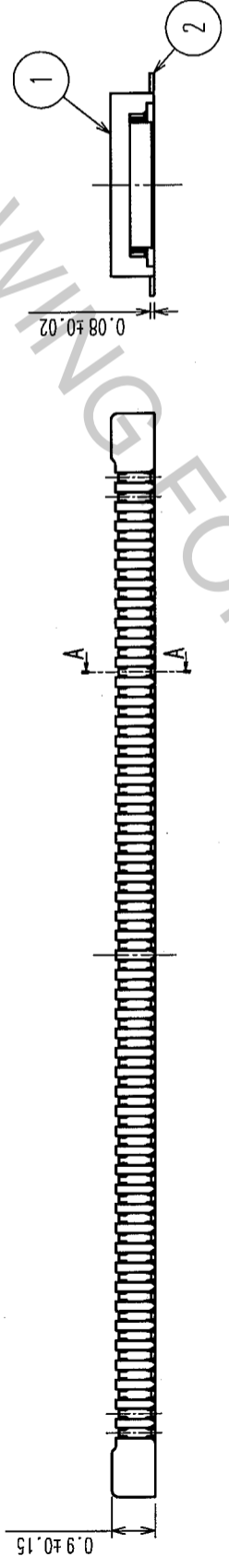


| COUNT | DESCRIPTION OF REVISIONS | BY | CHKD | DATE | COUNT | DESCRIPTION OF REVISIONS | BY | CHKD | DATE |
|-------|--------------------------|----|------|------|-------|--------------------------|----|------|------|
| △ | | | | | △ | | | | |
| △ | | | | | △ | | | | |
| △ | | | | | △ | | | | |

RECOMMENDED PATTERN



RECOMMENDED SOLDER PASTE: THICKNESS 120 μm



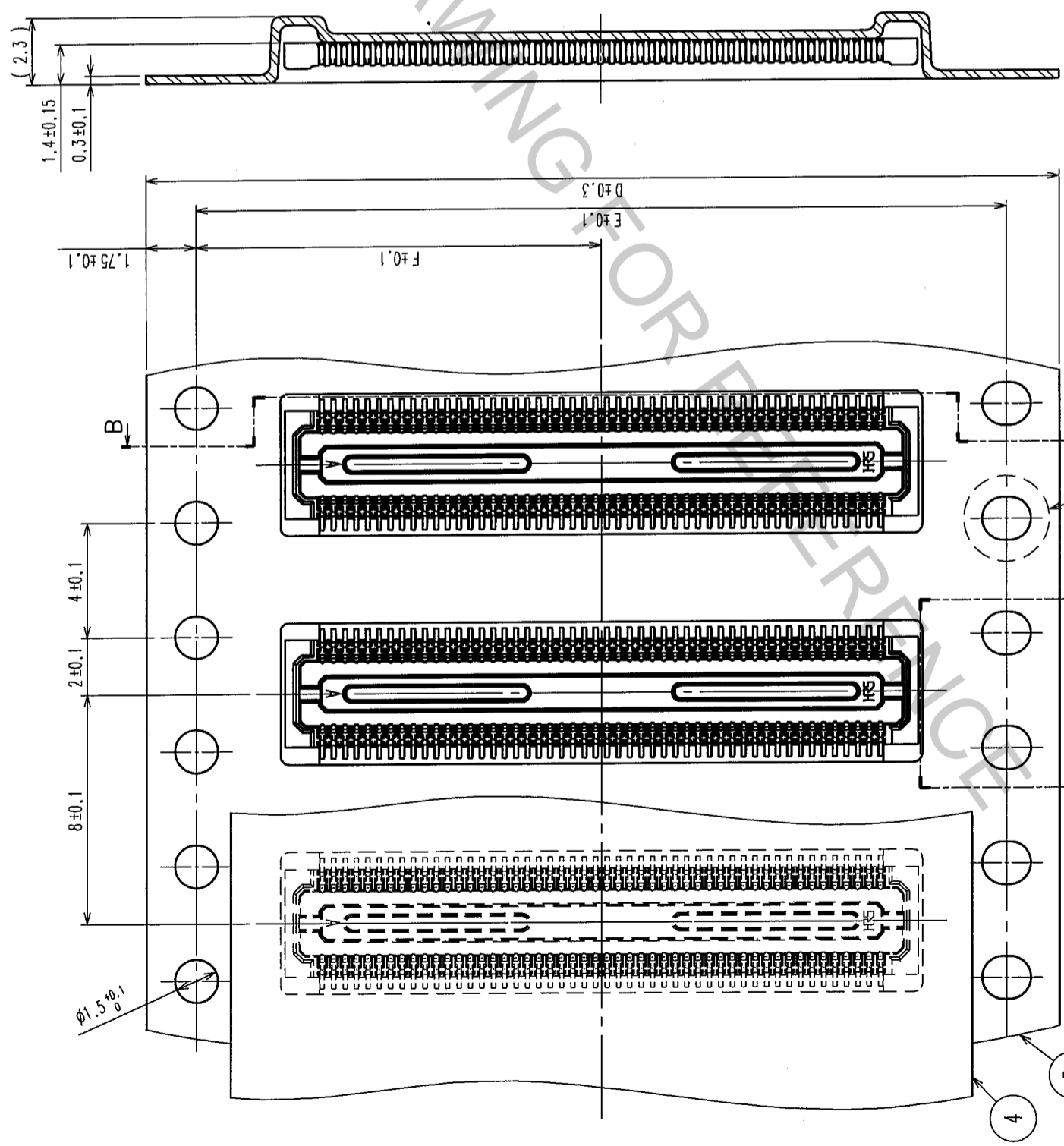
| PART NO. | CODE NO. | A | B | C |
|----------------------|-----------------|-------|------|------|
| DF30FC-80DS-0.4V(82) | CL684-1116-3-82 | 18.22 | 15.6 | 3.2 |
| DF30FC-70DS-0.4V(82) | CL684-1115-0-82 | 16.22 | 13.6 | 2.8 |
| DF30FC-60DS-0.4V(82) | CL684-1082-3-82 | 14.22 | 11.6 | 2.4 |
| DF30FC-50DS-0.4V(82) | CL684-1114-8-82 | 12.22 | 9.6 | 2 |
| DF30FC-40DS-0.4V(82) | CL684-1078-6-82 | 10.22 | 7.6 | 1.6 |
| DF30FC-34DS-0.4V(82) | CL684-1113-5-82 | 9.02 | 6.4 | 1.36 |
| DF30FC-30DS-0.4V(82) | CL684-1112-2-82 | 8.22 | 5.6 | 1.2 |
| DF30FC-24DS-0.4V(82) | CL684-1111-0-82 | 7.02 | 4.4 | 1.2 |
| DF30FC-22DS-0.4V(82) | CL684-1110-7-82 | 6.62 | 4.0 | 1.2 |
| DF30FC-20DS-0.4V(82) | CL684-1109-8-82 | 6.22 | 3.6 | 1.2 |

- NOTE 1: ALL LEADS CO-PLANARITY SHALL BE 0.1 MAX.
 2. PER REEL : 1000 CONNECTORS.
 3. AT THE BEGINNING OF THE REEL, 100 MM AT MIN SHALL BE EMPTY POCKETS.
 AT THE END OF THE REEL, 160 MM AT MIN SHALL BE EMPTY POCKETS.
 4 NO CAVITY ON THE CONNECTORS LESS THAN 24 POS.
 5 CONTACT PLATING SPECIFICATIONS.
 CONTACT AREA : GOLD 0.05 μm MIN.
 SMT LEAD : GOLD 0.02 μm MIN.
 UNDERPLATING : NICKEL 1 μm MIN.
 (SURFACE : SEALING)

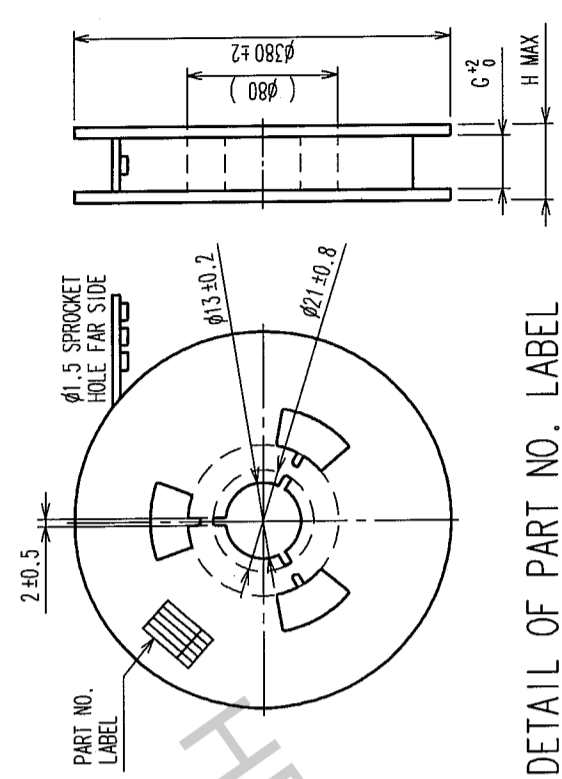
| | | | | | |
|----------------|-----------------|-----------------|---------------------|--------------|------------------------------|
| 2 | PHOSPHOR BRONZE | 5 | 4 | POLYESTER | CLEAR(COVER TAPE) |
| 1 | LCP | UL94V-0, BLACK | 3 | PS | CLEAR(EMBOSSED CARRIER TAPE) |
| NO. | MATERIAL | FINISH, REMARKS | NO. | MATERIAL | FINISH, REMARKS |
| CODE NO. (OLD) | | | DESIGNED | CHECKED | APPROVED |
| | | | RELEASED | | |
| SCALE | FREE | | DRAWN | T.NISHI | 040825 |
| UNITS | mm | | DESIGNED | K. Nishikawa | 04.08.25 |
| | | | CHECKED | H. Senda | 04.08.25 |
| | | | APPROVED | J. Oga | 04.08.25 |
| | | | RELEASED | | |
| DRAWING NO. | EDC3-303556-05 | PART NO. | DF30FC-*DS-0.4V(82) | | |
| CODE NO. | CL684-***-*-82 | | | | |

| COUNT | DESCRIPTION OF REVISIONS | BY | CHKD | DATE | COUNT | DESCRIPTION OF REVISIONS | BY | CHKD | DATE |
|-------|--------------------------|----|------|------|-------|--------------------------|----|------|------|
| △ | | | | | △ | | | | |
| △ | | | | | △ | | | | |
| △ | | | | | △ | | | | |

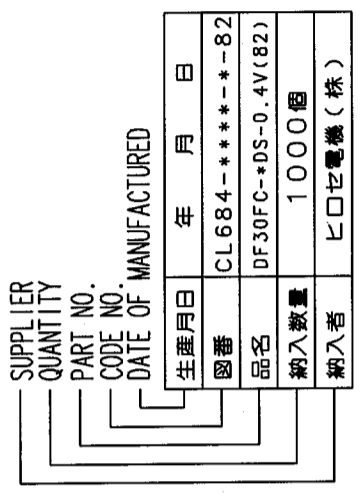
B-B



STYLE AND DIMENSION OF REEL (FREE)



DETAIL OF PART NO. LABEL



| PART NO. | D | E | F | G | H |
|----------------------|----|------|------|------|------|
| DF30FC-80DS-0.4V(82) | 32 | 28.4 | 14.2 | 32.4 | 38.4 |
| DF30FC-70DS-0.4V(82) | 24 | - | 11.5 | 24.4 | 30.4 |
| DF30FC-60DS-0.4V(82) | 24 | - | 11.5 | 24.4 | 30.4 |
| DF30FC-50DS-0.4V(82) | 24 | - | 11.5 | 24.4 | 30.4 |
| DF30FC-40DS-0.4V(82) | 24 | - | 11.5 | 24.4 | 30.4 |
| DF30FC-34DS-0.4V(82) | 16 | - | 7.5 | 16.4 | 22.4 |
| DF30FC-30DS-0.4V(82) | 16 | - | 7.5 | 16.4 | 22.4 |
| DF30FC-24DS-0.4V(82) | 16 | - | 7.5 | 16.4 | 22.4 |
| DF30FC-22DS-0.4V(82) | 16 | - | 7.5 | 16.4 | 22.4 |
| DF30FC-20DS-0.4V(82) | 16 | - | 7.5 | 16.4 | 22.4 |

CODE NO. (OLD)

SCALE 5 : 1

UNITS mm

DESIGNED: *K. Nishida*

CHECKED: *K. Sasaki*

APPROVED: *J. Oka*

RELEASED: . . .

DATE: 04-08-25

DATE: 04-08-25

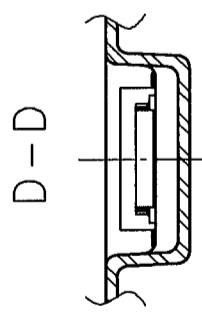
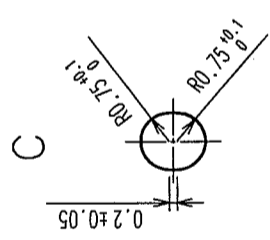
DATE: 04-08-25

DRAWING NO. EDC3-303556-05

PART NO. DF30FC-DS-0.4V(82)

CODE NO. CL684-***-82

HIROSE ELECTRIC CO., LTD.



| | |
|----|--|
| TO | |
| | |
| | |