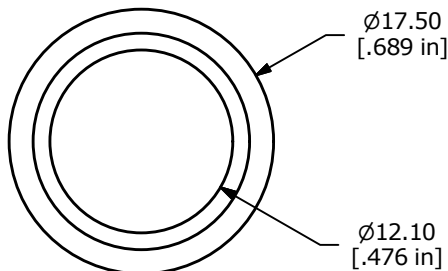


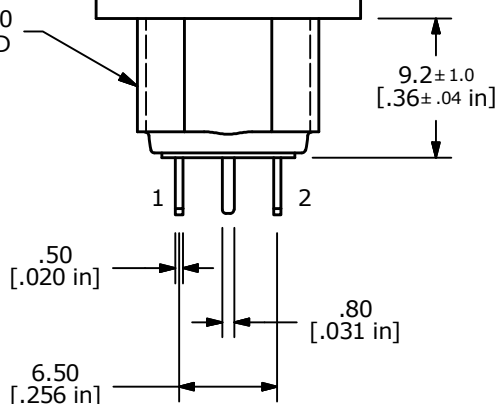
PANEL MOUNTING
MAX. PANEL THICKNESS 4mm



▲ DOMED ACTUATOR
COLOR: BLACK

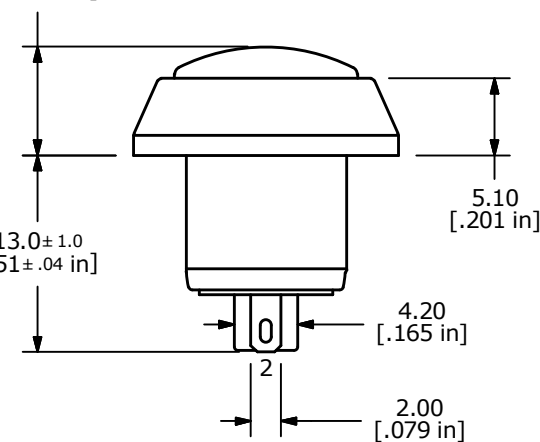
▲ BODY COLOR:
BLACK ANODIZED

M12x1.0
THREAD

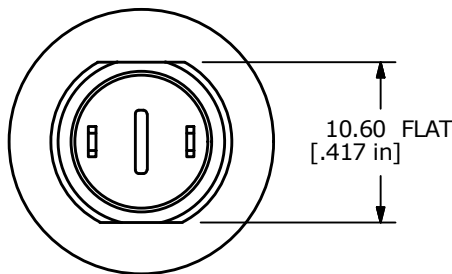


7.2 ± 1.0
[.28 ± .04 in]

13.0 ± 1.0
[.51 ± .04 in]

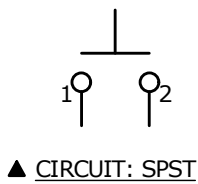


6.50
[.256 in]



SWITCH FUNCTION	
POS. 1	POS. 2
OFF	(ON)
OPEN	1-2

(ON) = MOMENTARY



NOTE:

- ALL DIMENSIONS IN MM [INCH]
- GENERAL TOLERANCE: X.X=±0.4
X.XX=±0.25
- TERMINAL NUMBERS FOR REF ONLY
- CONTACT MATERIAL: GOLD
- RATING: 2A @ 36 VDC
- ELECTRICAL LIFE: 200,000 CYCLES
- CONTACT RESISTANCE: 50 mΩ MAX. @ 1A 12VDC (INITIAL)
- INSULATION RESISTANCE: 1,000 MΩ MIN. @ 500VDC.
- DIELECTRIC STRENGTH: 2,000 VAC rms.
- OPERATING TEMPERATURE: -20°C TO +70°C.
- PANEL THICKNESS MAX: 4.0 mm.
- INGRESS PROTECTION: IP65
- ▲ DENOTES CRITICAL PARAMETER.
- 2011/65/EU (ROHS) COMPLIANT
- HARDWARE INCLUDED, 1 O-RING & 1 HEX NUT.(NOT SHOWN)



B	22668	UPDATED FLAT ALIGNMENT	1/9/17	MJR
A	19135	RELEASE FOR PRODUCTION	6/29/10	BLR
REV	PCR NO	DESCRIPTION	DATE	BY

TITLE PV5S24011G				
SCALE	DATE	DR	DWG	REV
2:1	6/29/2010	BLR	52-PV5S24011G	B

THE INFORMATION CONTAINED IN THIS DOCUMENT IS PROPRIETARY TO E-SWITCH AND IS NOT TO BE COPIED OR TRANSFERRED