

SPECIFICATIONS

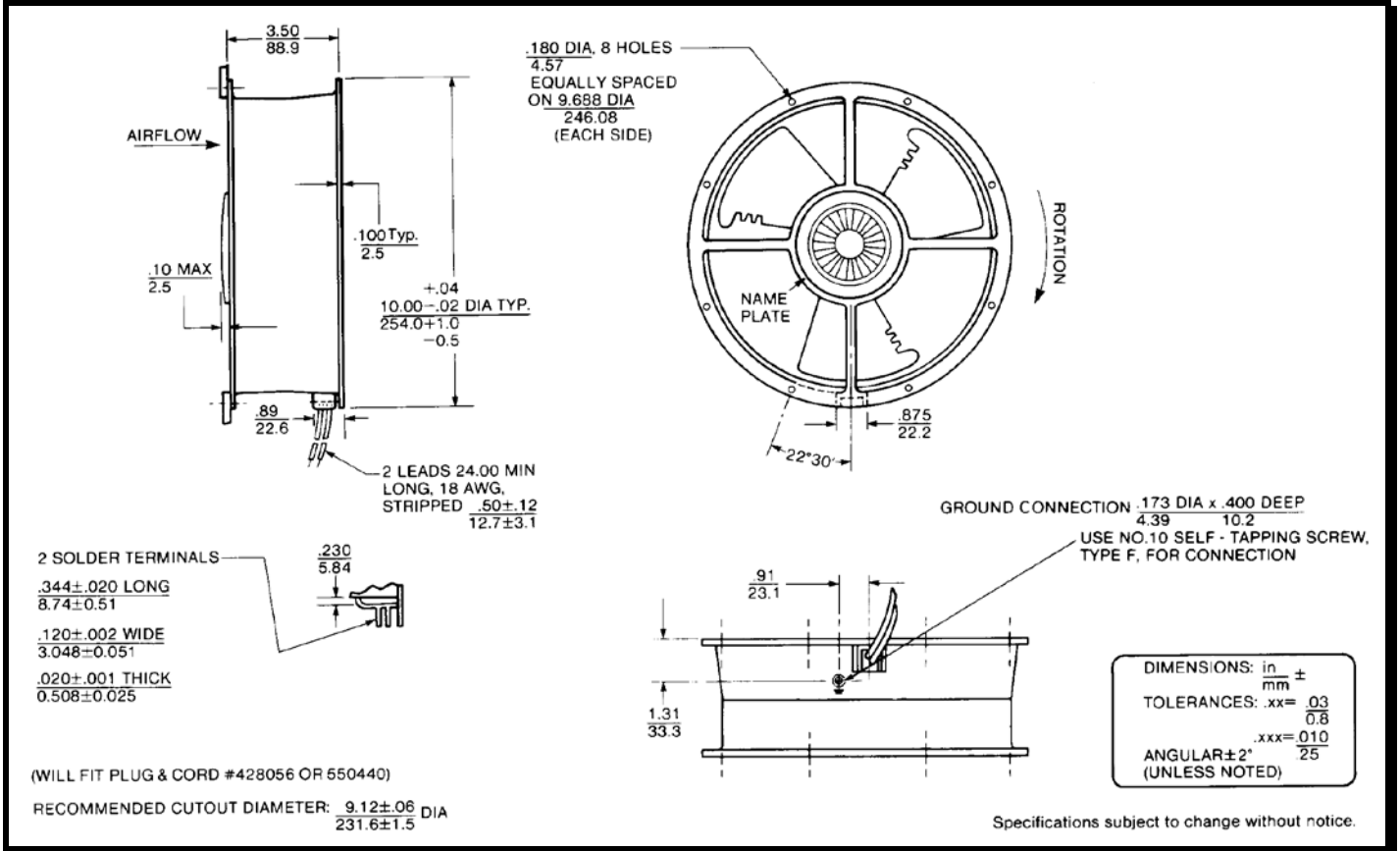
(RoHS Compliant)



Model Number: CLE3L2
Part Number: 19020190A

Version: 01
Nov 02, 2016

Mechanical Drawing:



Motor:

Frequency = 50/60 Hz
 Nominal Voltage = 220/230 vac
 Nominal Running Current = 0.240 / 0.250 amps
 Max. Locked Rotor Current = 0.355 amps
 Running Power = 34 watts
 Average Speed = 1400/1650 RPM
 Bearings = Ball
 Air Flow = 455/550 CFM
 Acoustic: = 45.4/49.2 dBA

Construction:

Venturi: Aluminum, Black
 Propeller: Plastic, Black, UL 94V-0

Life Expectancy:

This fan is designed for continuous duty life of 54,000 hours at 40°C.

Additional Features:

Permanent Split Capacitor
 Class B Insulation
 Operating Temperature: -30°C to 60°C
 Storage Temperature: -40°C to 85°C
 Automatic Restart Thermal Protector

Termination:

12" Lead wires, 18 AWG

Agency Approvals:

UL, CE