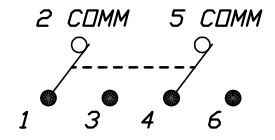


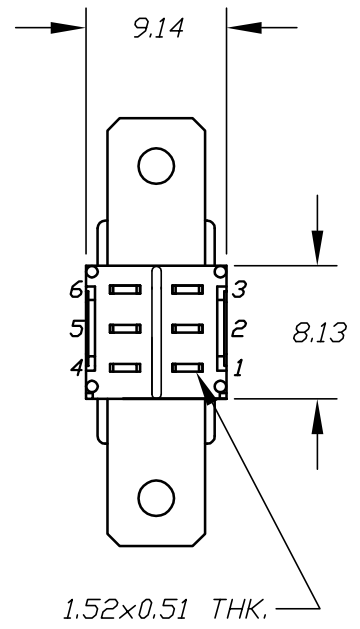
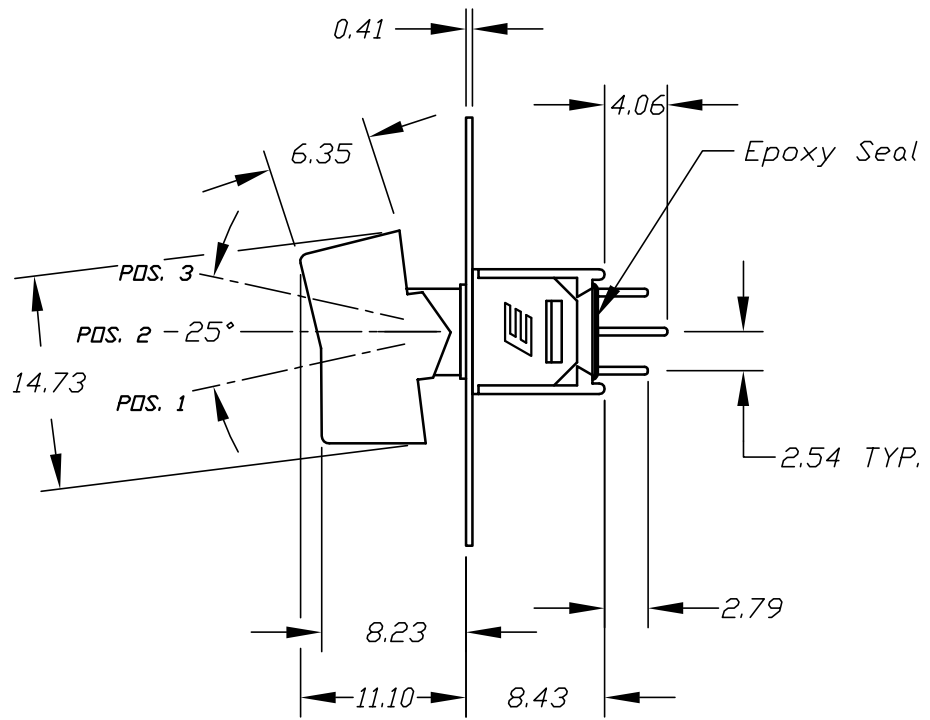
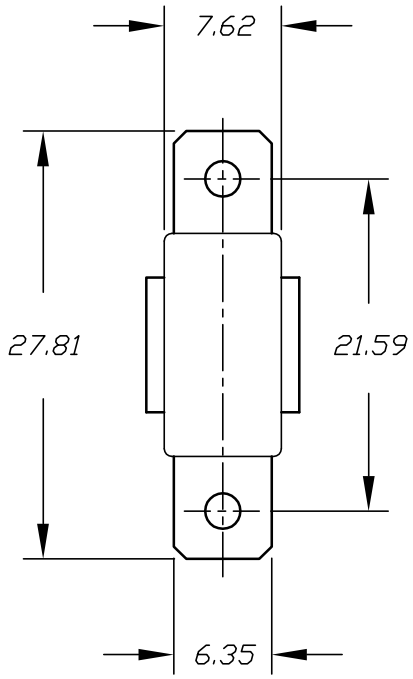
RECOMMEND PANEL MOUNTING



CIRCUIT: DPDT

CONTACT CONFIGURATION

SWITCH FUNCTION		
PDS. 1	PDS. 2	PDS. 3
ON	NONE	ON
2-3,5-6	OPEN	2-1,5-4



NOTES:

1. ALL DIMENSIONS IN MM
2. TERM. NOS. FOR REF ONLY
3. RATING: 3 Amps @120 VAC or 28 VDC; 1 Amp @250 VAC.

REV.	DESCRIPTION	DATE	CHKD
B	REVISED & REDRAWN		

TOLERANCES	±0.4				
	±0.25				
TITLE		400 MDP-1 R1 M1 Q E			
SCALE	2:1	DATE	2/14/97	DR	MM
THE INFORMATION CONTAINED IN THIS DOCUMENT IS PROPRIETARY TO E-SWITCH AND IS NOT TO BE COPIED OR TRANSFERRED		DWG	T421006	REV	B