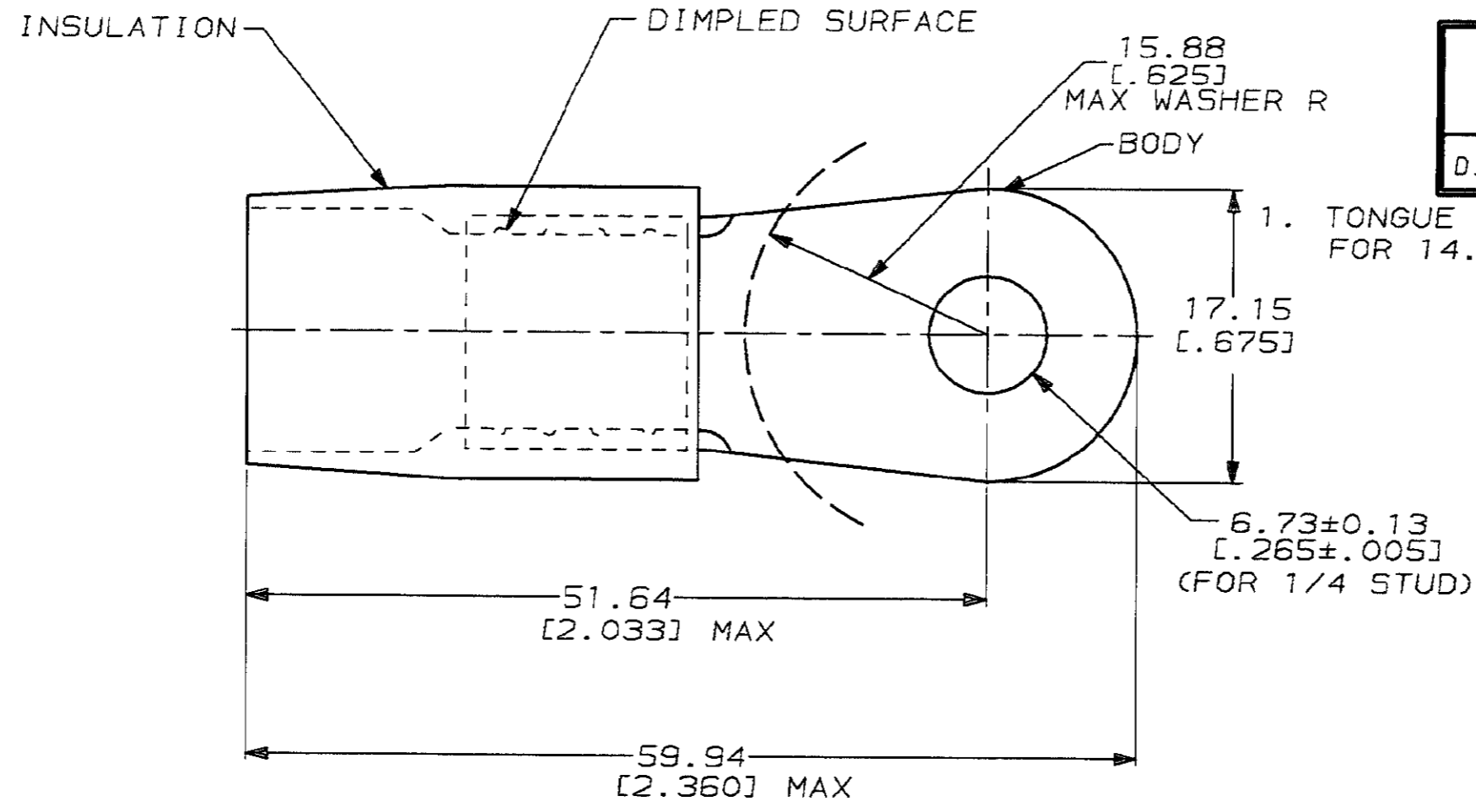


THIS DRAWING IS UNPUBLISHED. RELEASED FOR PUBLICATION ,19 .  
 © COPYRIGHT 19 BY AMP INCORPORATED. ALL INTERNATIONAL RIGHTS RESERVED.

LOC	DIST	P	F	ZONE	LTR	REVISIONS	DATE	APPD
G	14				A	EC 0720-0279-93	6-18-93	556 BB

**AMP**  
WIRE RANGE  
1/0 AWG  
STRANDED

**METRIC**  
DIMENSIONS LISTED IN mm [ INCHES ]



**AMP INCORPORATED  
CUSTOMER SERVICE SYSTEMS**

FOR ADDITIONAL PRODUCT INFORMATION OR COPIES OF DRAWINGS AND TECHNICAL DOCUMENTS	PRODUCT INFORMATION CENTER 1-800-522-6752
FOR APPLICATION TOOLING INFORMATION	TOOLING ASSISTANCE CENTER 1-800-722-1111
FOR ORDER ENTRY	1-800-526-5142

MAX RECOMMENDED OPERATING TEMPERATURE:  
150°C

VOLTAGE RATING:  
-

CIRCULAR MIL AREA:  
42.4-60.6mm² [83,700-119,500]  
STRANDED

THIS DRAWING IS A CONTROLLED DOCUMENT FOR AMP INCORPORATED. IT IS SUBJECT TO CHANGE AND THE CONTROLLING ENGINEERING ORGANIZATION SHOULD BE CONTACTED FOR THE LATEST REVISION.

DO NOT SCALE PRINT. UNLESS SPECIFIED DIMENSIONS IN mm [INCHES] TOLERANCES ON:  
2 PLC DEC ± 0.20 [.008]  
3 PLC DEC ± -  
ANGLES ± -

MATERIAL  
COPPER PER ASTM B-152  
COLOR: NATURAL NYLON (MIL-H-20653)  
TYPE 1 COLOR: BLUE

FINISH  
TIN PLATE PER MIL-T-10727

QTY	LOOSE PC	55822-1
DR 6-18-93 S.S. GOULDEN	PACKAGE TYPE	PART NO
CHK 6-18-93 R. HERSEY	<b>AMP</b> AMP Incorporated Harrisburg, PA 17105-3608	
APPD 6-18-93 B. BARE	NAME TERMINAL, RING TONGUE, TERMINYL WIRE SIZE: 1/0 AWG	
APPD 6-18-93 M. ELLIS	SIZE	CAGE CODE
PRODUCT SPEC	B	00779
APPLICATION SPEC	SCALE	DRAWING NO
WEIGHT -	NTS	C-55822
		SHEET
		1 OF 1