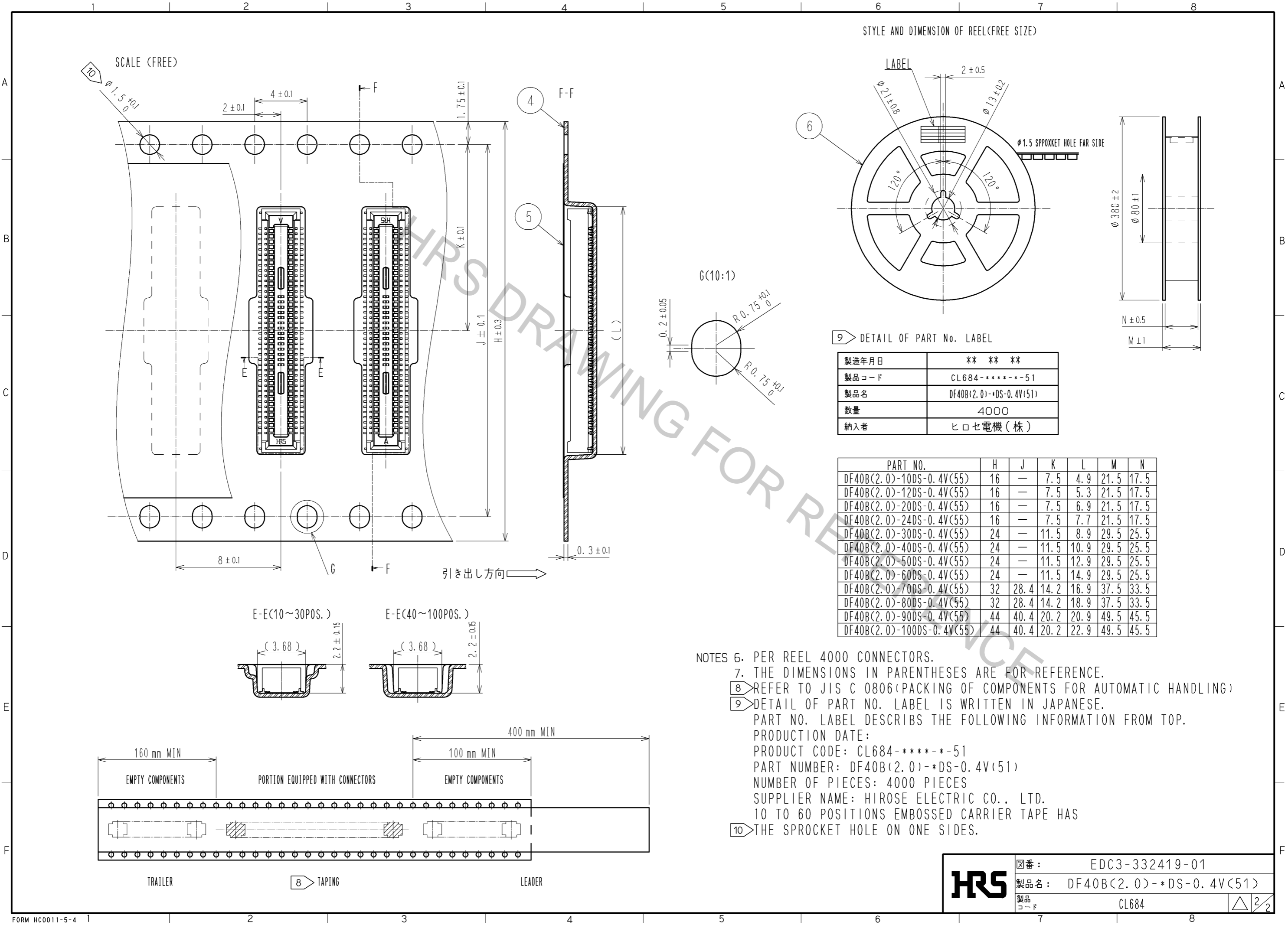
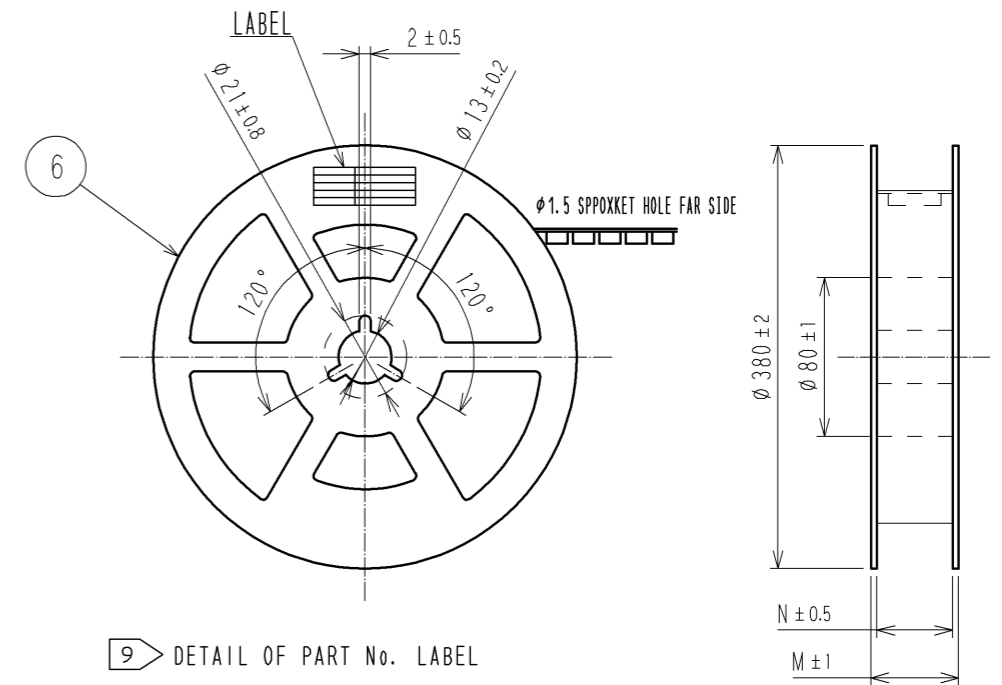


| 2 | PHOSPHOR BRONZE | CONTACT AREA: GOLD 0.05 μm MIN | 6 | PS | BLACK | | |
|--------------------------------------|-----------------|--------------------------------|-----------------------------|--------------------------|------------------------------|---|-----|
| | | SMT LEAD: GOLD 0.05 μm MIN | 5 | POLYESTER | CLEAR, COVER TAPE | | |
| | | UNDERPLATING: NICKEL 1 μm MIN | 4 | PS | CLEAR, EMBOSSED CARRIER TAPE | | |
| 1 | LCP | BLACK, UL94V-0 | 3 | PHOSPHOR BRONZE | GOLD | | |
| NO. | MATERIAL | FINISH, REMARKS | NO. | MATERIAL | FINISH, REMARKS | | |
| UNITS mm | | SCALE 10 : 1 | | 訂正記事 | 設計 | 検図 | 年月日 |
| HRS HIROSE ELECTRIC CO., LTD. | | 承認 : TS. MIYAZAKI 10.12.16 | 検図 : AR. TAKAHASHI 10.12.16 | 設計 : TK. SUZUKI 10.12.16 | 製図 : TK. SUZUKI 10.12.16 | 図番 : EDC3-332419-01 製品名 : DF40B(2.0)-*DS-0.4V(51) 製品コード : CL684 | |

Apr.1.2017 Copyright 2017 HIROSE ELECTRIC CO., LTD. All Rights Reserved.



STYLE AND DIMENSION OF REEL(FREE SIZE)



9) DETAIL OF PART No. LABEL

| | |
|-------|-------------------------|
| 製造年月日 | ** ** * |
| 製品コード | CL684-*****-51 |
| 製品名 | DF40B(2.0)-*DS-0.4V(51) |
| 数量 | 4000 |
| 納入者 | ヒロセ電機(株) |

| PART NO. | H | J | K | L | M | N |
|---------------------------|----|------|------|------|------|------|
| DF40B(2.0)-10DS-0.4V(55) | 16 | — | 7.5 | 4.9 | 21.5 | 17.5 |
| DF40B(2.0)-12DS-0.4V(55) | 16 | — | 7.5 | 5.3 | 21.5 | 17.5 |
| DF40B(2.0)-20DS-0.4V(55) | 16 | — | 7.5 | 6.9 | 21.5 | 17.5 |
| DF40B(2.0)-24DS-0.4V(55) | 16 | — | 7.5 | 7.7 | 21.5 | 17.5 |
| DF40B(2.0)-30DS-0.4V(55) | 24 | — | 11.5 | 8.9 | 29.5 | 25.5 |
| DF40B(2.0)-40DS-0.4V(55) | 24 | — | 11.5 | 10.9 | 29.5 | 25.5 |
| DF40B(2.0)-50DS-0.4V(55) | 24 | — | 11.5 | 12.9 | 29.5 | 25.5 |
| DF40B(2.0)-60DS-0.4V(55) | 24 | — | 11.5 | 14.9 | 29.5 | 25.5 |
| DF40B(2.0)-70DS-0.4V(55) | 32 | 28.4 | 14.2 | 16.9 | 37.5 | 33.5 |
| DF40B(2.0)-80DS-0.4V(55) | 32 | 28.4 | 14.2 | 18.9 | 37.5 | 33.5 |
| DF40B(2.0)-90DS-0.4V(55) | 44 | 40.4 | 20.2 | 20.9 | 49.5 | 45.5 |
| DF40B(2.0)-100DS-0.4V(55) | 44 | 40.4 | 20.2 | 22.9 | 49.5 | 45.5 |

NOTES 6. PER REEL 4000 CONNECTORS.
 7. THE DIMENSIONS IN PARENTHESES ARE FOR REFERENCE.
 8) REFER TO JIS C 0806(PACKING OF COMPONENTS FOR AUTOMATIC HANDLING)
 9) DETAIL OF PART NO. LABEL IS WRITTEN IN JAPANESE.
 PART NO. LABEL DESCRIBES THE FOLLOWING INFORMATION FROM TOP.
 PRODUCTION DATE:
 PRODUCT CODE: CL684-*****-51
 PART NUMBER: DF40B(2.0)-*DS-0.4V(51)
 NUMBER OF PIECES: 4000 PIECES
 SUPPLIER NAME: HIROSE ELECTRIC CO., LTD.
 10) THE SPROCKET HOLE ON ONE SIDES.

| | | |
|------------|--------|-------------------------|
| HRS | 図番: | EDC3-332419-01 |
| | 製品名: | DF40B(2.0)-*DS-0.4V(51) |
| | 製品コード: | CL684 |