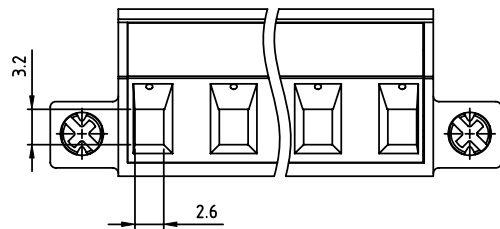
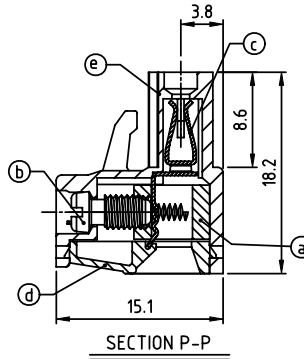
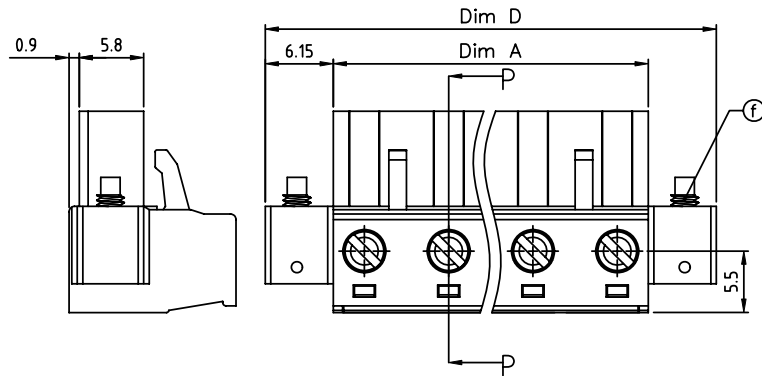
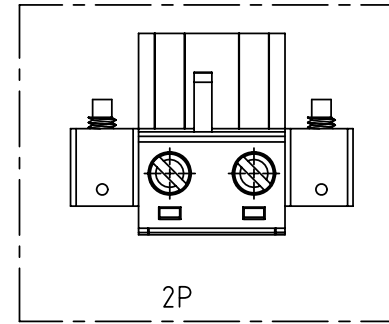
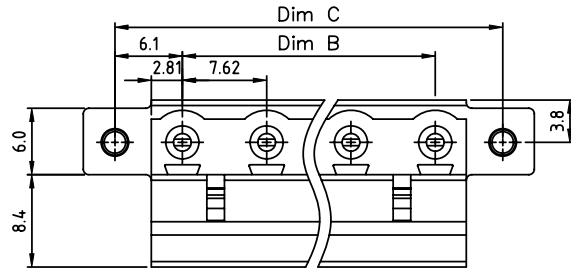


PRODUCT NUMBER	PITCH
TJxx01x200J0G	7.62 mm



**Material**

- Item ① Clamp: Brass(CuZn) Ni plated
- Item ② Terminal screw: Steel Zinc plating "-" slot type
- Item ③ Female contact: PhBz ,Tin plated
- Item ④ Terminal Cover: Thermoplastic (UL94V-0)
- Item ⑤ Terminal housing: Thermoplastic (UL94V-0)
- Item ⑦ With flange screw:Steel Zinc plating M2.5"/+/-" slot type

**Electrical cULus**

- Voltage rating: 300VAC
- Current rating: 20A
- Wire range: 2.5mm<sup>2</sup>
- Solid wire(AWG): 12-24
- Stranded wire(AWG): 12-24
- Torque: 5Lb-In
- Screw: M3
- Wire strip length: 7-8mm
- Withstanding Voltage: 1.6KV
- Operating temperature: -40°C to +115°C
- Safety Approval:

N = Number of poles  
 Dim A=(N-1)X7.62+5.62  
 Dim B=(N-1)x7.62  
 Dim C=(N-1)x7.62+12.2  
 Dim D=(N-1)x7.62+18.0

Poles	Tolerance
2p-4p	±0.15
5p-8p	±0.20
9p-12p	±0.30
13p-16p	±0.40

PART NO.: TJ xx 01 x 2 00J0 G

- |                |                     |
|----------------|---------------------|
| 02 2 CONTACTS  | Color               |
| 03 3 CONTACTS  | 0 Black (RAL9005)   |
| ...            | 2 Red (RAL3001/D)   |
| 16 16 CONTACTS | 3 Orange(RAL2011/P) |
|                | 4 Yellow(RAL1018/A) |
|                | 5 Green(RAL6018/T)  |
|                | 6 Blue (RAL5015/A)  |
|                | 8 Grey(RAL7035/D)   |
|                | 9 White(RAL1102)    |
|                | C Green(RAL6018/U)  |

RoHS compliant  
 (lead<4%)  
 In copper Alloy

mat'l. code		surface ASME Y14.5	tolerance ASME Y14.5	projection	product family TERMINAL BLOCK
ltr	ecn no	dr	date	 MM scale	title TERMINAL BLOCK PLUGGABLE PLUG,DOWN CONTACT,WITH FLANGE sheet 1 of 1 size Tjxx01x200J0G A4 type CUSTOMER Drawing
		angles	X.±0.5		
			X.X±0.3		
		X*±1"	X.XX±0.1		
		dr	HANKE FENG 010714		
		enr	HANKE FENG 010714		
		chr	SHI JUN 010714		
		appd	SHI JUN 010714		
sheet index	revision sheet	A	1		