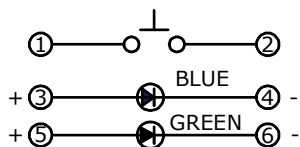


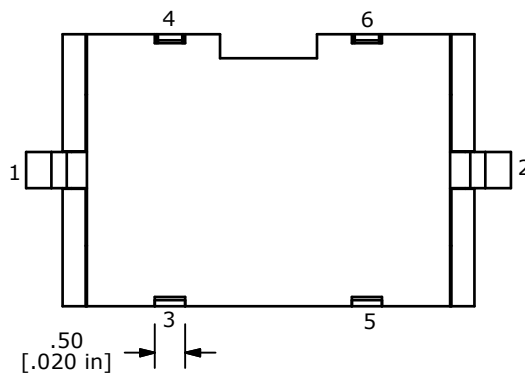
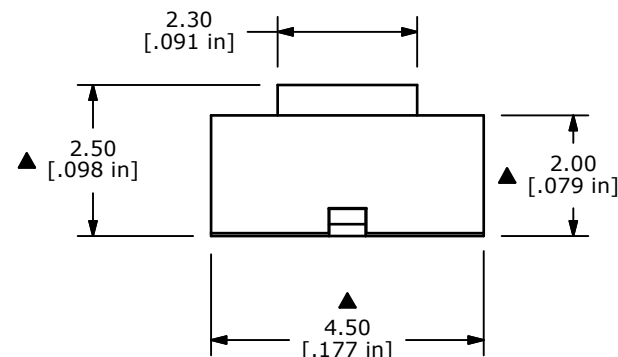
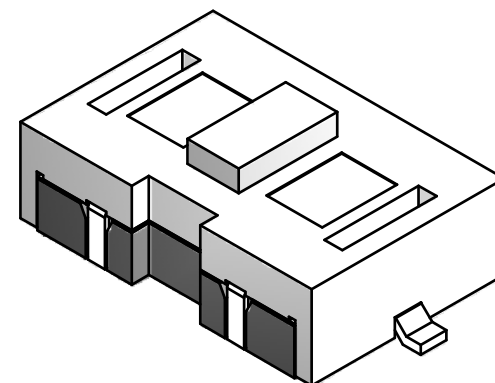
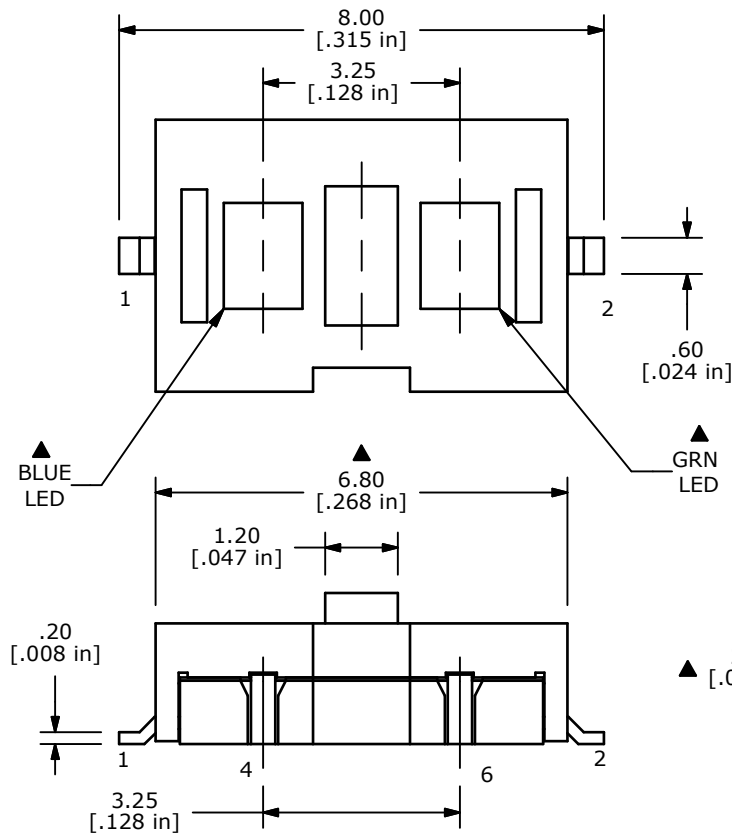
PC MOUNTING



CIRCUIT

NOTES:

1. ALL DIMENSIONS IN MM [INCH]
2. GENERAL TOLERANCE: X.X±0.4
X.XX±0.25
3. RATING: 12VDC, 50mA MAX.
4. CONTACT RESISTANCE: 500mΩ MAX.
5. INSULATION RESISTANCE: 100VDC, 100MΩ MIN.
6. TRAVEL: 0.25 mm
- ▲7. OPERATING FORCE: 160 +75/-30gf
8. OPERATING TEMPERATURE: -20°C TO 70°C
9. OPERATING LIFE: 30,000 CYCLES
10. PACKAGING: TAPE & REEL, 3000 PIECES PER REEL
- 11.▲ DENOTES CRITICAL PARAMETER
12. 2002/95/EC (ROHS) COMPLIANT



LED Specifications	Units	BLUE	GREEN
Forward Current	mA	15	30
Forward Voltage	V	3.5-3.8	1.7-2.6
Luminous Intensity@20mA	mcd	45	6



B	18117	CORRECT DRAWING VIEWS (MODELS)	5/29/08	BLR
A	17289	RELEASED FOR PRODUCTION	5/18/07	TN
REV	PCR NO	DESCRIPTION	DATE	BY

TITLE TL3200AF160BGQ				
SCALE	DATE	DR	DWG	REV
8:1	5/29/2008	BLR	B200103	B

THE INFORMATION CONTAINED IN THIS DOCUMENT IS PROPRIETARY TO E-SWITCH AND IS NOT TO BE COPIED OR TRANSFERRED