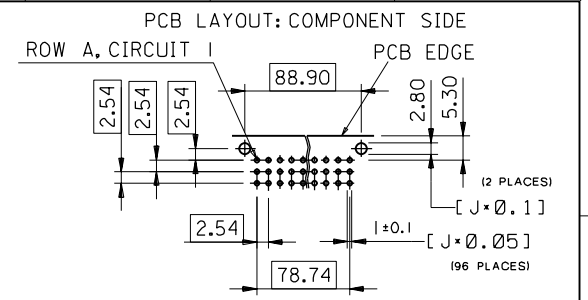
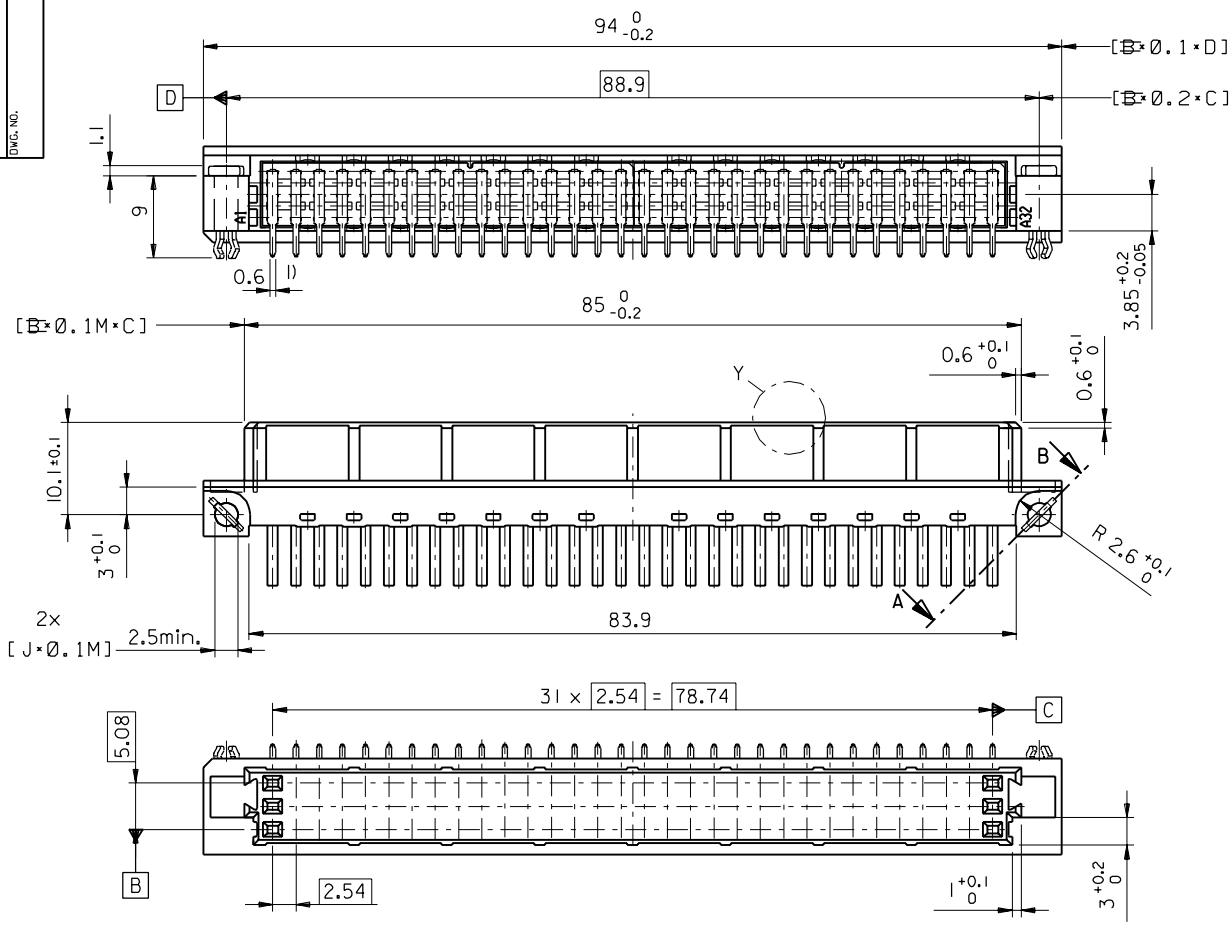
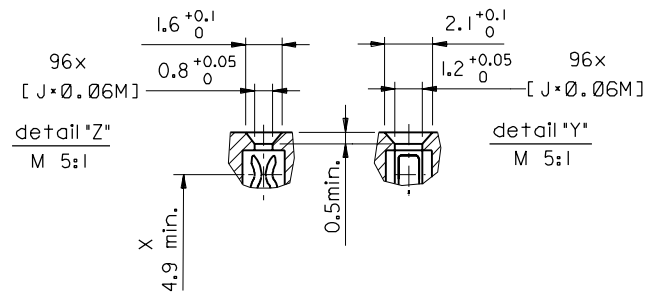
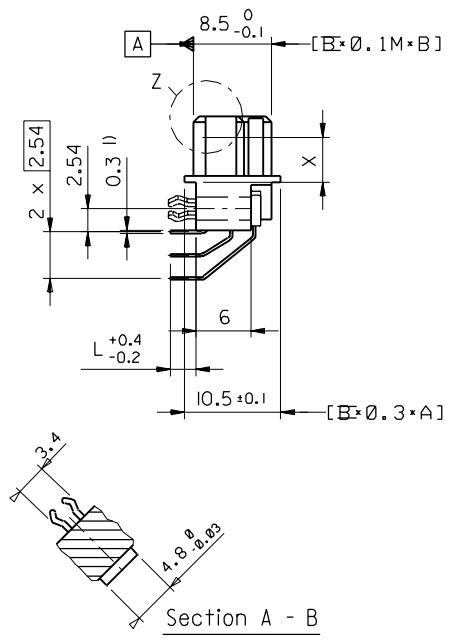


PART NO.
DWG. NO.



1) tails to fit in PC-board layout



FIRST ANGLE PROJECTION

REVISIONS	DRWG BY	SIGN
1	KN	
2	Ca	
3	JB	

UNLESS OTHERWISE SPECIFIED TOLERANCES: ANGULAR ±2°
INCH METRIC
3 PLACE ± ±
2 PLACE ± ±
1 PLACE ± ±
DRAFT WHERE APPLICABLE MUST REMAIN WITHIN DIMENSIONS
DESIGN DIMENSION MM IN.
EQUIVALENT DIMENSION MM IN.
IF TWO DIMENSIONS ARE SHOWN THE UPPER IS THE DESIGN DIMENSION, LOWER IS SECONDARY

SCALE: 2:1

2	B1
SH.	REV.
CAD/CAM PROJECT NAME 85052000 611	
THIS DRAWING CONTAINS INFORMATION THAT IS PROPRIETARY TO MOLEX INC. & SHOULD NOT BE USED WITHOUT WRITTEN PERMISSION	
TITLE 96 pos. female connector DIN 41612 style R + clip Dimensions	
MOLEX MOLEX EUROPE	
SHEET NO. DATE 1 OF 2 96/04/25	
PART NO.	DWG NO.
SDA-85052-0001	SDA-85052-0001
SIZE	B

