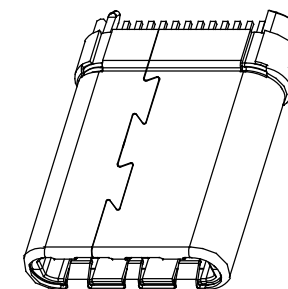
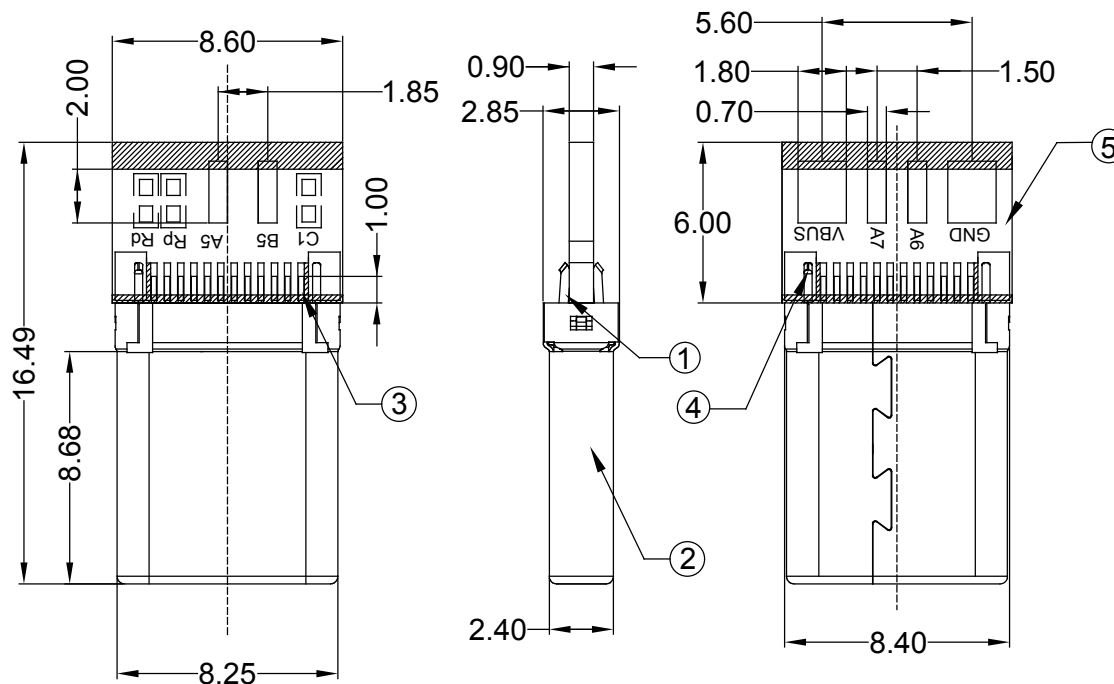
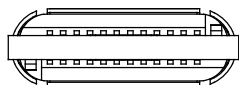


THIS IS A C.A.D. GENERATED DRAWING
DO NOT MAKE MANUAL REVISIONS TO MASTER.

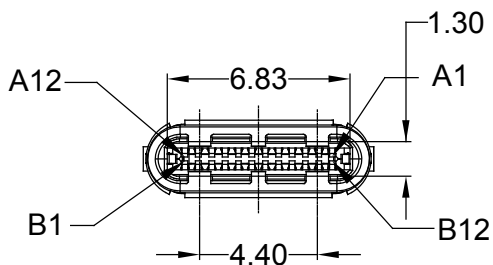


TOLERANCE UNLESS OTHERWISE SPECIFIED	
.X	±0.50
.X	±0.30
.XX	±0.20
.XXX	±0.10



NOTES:

- CURRENT RATING: 3A
- CONTACT RESISTANCE: 40mΩ MAX.
- INSULATOR RESISTANCE: 100MΩ min. AT 100V DC
- SOLDERABILITY: 250±5°C, 5±0.5s
- TOTAL MATING FORCE: 2.04kgf (20N) MAX.
- TOTAL UNMATING FORCE: 0.81kgf (8N), 2.04kgf(20N) MAX.
- MATING CYCLE: 10000 CYCLES min.



PART NUMBER	CONTACT PLATING
690-024-260-432	GOLD FLASH PLATING
690-024-360-432	15u" GOLD PLATING
690-024-660-432	30u" GOLD PLATING



THIS SERIES FULLY CONFORMS TO
THE EUROPEAN UNION DIRECTIVES
2011/65/EU FOR RoHS COMPLIANCY.



EDAC INC
TORONTO, ONTARIO
CANADA
YOUR CONNECTION TO QUALITY & SERVICE

THESE DRAWINGS AND SPECIFICATIONS
ARE THE PROPERTY OF EDAC INC., AND
SHALL NOT BE REPRODUCED, OR COPIED
OR USED AS THE BASIS FOR THE
MANUFACTURE OR SALE OF APPARATUS
WITHOUT WRITTEN PERMISSION.

USB 3.1, TYPE C, VERTICAL, MALE

ACAD REFERENCE NO.: 690-024-X60-432

DRAWN: Y.Z DATE: MAY.07/2018

CHECKED: DATE:

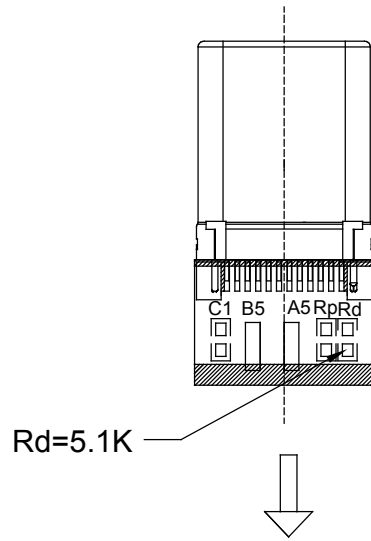
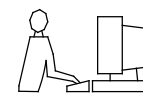
SCALE: (IN C.A.D. 1:1) SHEET 1 OF 2

DRAWING NUMBER: 690-024-X60-432

ISSUE

PART NUMBER: SEE TABLE

1

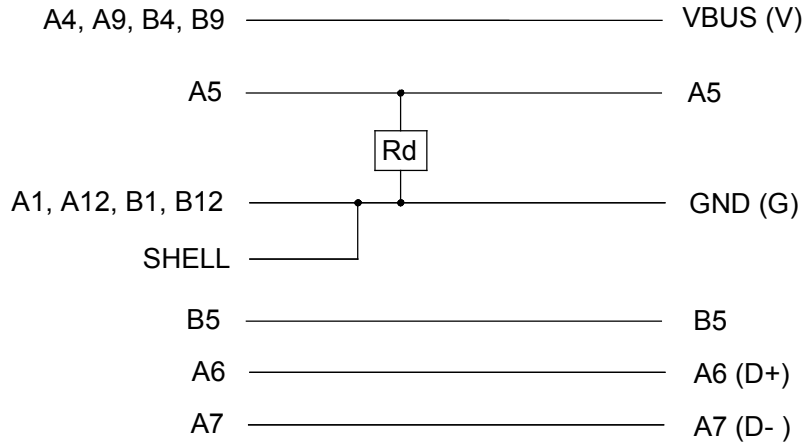


PIN ASSIGNMENT

5	PCB	1	----
4	GND LATCH	1	STAINLESS STEEL, NICKEL PLATING OVERALL, TABE WITH LEAD FREE TIN ALLOY
3	CONTACT	24	COPPER ALLOY NICKEL UNDERPLATING OVERALL, GOLD PLATING AT CONTACT AREA. LEAD FREE TIN ALLOY AT TERMINATION.
2	SHELL	1	STAINLESS STEEL
1	HOUSING	2	LCP, BLACK, UL 94V-0
No.	DESCRIPTION	QTY	MATERIAL & PLATING

CONN 1

CONN 2



A12	A11	A10	A9	A8	A7	A6	A5	A4	A3	A2	A1
GND	RX2+	RX2-	Vbus	SBU1	D-	D+	CC	Vbus	TX1-	TX1+	GND
GND	TX2+	TX2-	Vbus	Vconn			SBU2	Vbus	RX1-	RX1+	GND
B1	B2	B3	B4	B5	B6	B7	B8	B9	B10	B11	B12

USB 3.1 TYPE C, VERTICAL, MALE

ACAD REFERENCE NO.: 690-024-X60-432

DRAWN: Y.Z

DATE: MAY.07/2018

CHECKED:

DATE:

SCALE: (IN C.A.D. 1:1)

SHEET 2 OF 2

DRAWING NUMBER: 690-024-X60-432

ISSUE

PART NUMBER: SEE TABLE

1



THIS SERIES FULLY CONFORMS TO THE EUROPEAN UNION DIRECTIVES 2011/65/EU FOR RoHS COMPLIANCY.



EDAC INC
TORONTO, ONTARIO
CANADA
YOUR CONNECTION TO QUALITY & SERVICE

THESE DRAWINGS AND SPECIFICATIONS ARE THE PROPERTY OF EDAC INC., AND SHALL NOT BE REPRODUCED, OR COPIED OR USED AS THE BASIS FOR THE MANUFACTURE OR SALE OF APPARATUS WITHOUT WRITTEN PERMISSION.