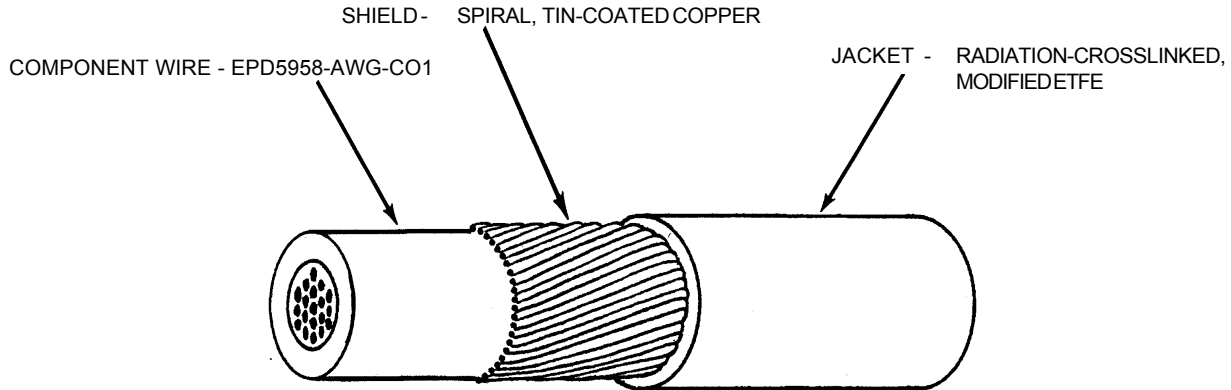


SPECIFICATION CONTROL DRAWING

EPD5958

TITLE	ONE CONDUCTOR CABLE, SPIRALLY SHIELDED, JACKETED	Date	07-13-04	Revision	D
-------	--	------	----------	----------	---

This specification sheet forms a part of the latest issue of Raychem Specification 55A.



CABLE CONSTRUCTION DETAILS						
PART NUMBER 1/	CONDUCTOR SIZE (AWG)	SHIELD SIZE (AWG)	JACKET THICKNESS (inch)	OUTSIDE DIAMETER (inch)		MAXIMUM WEIGHT (lb/1000 ft)
			MINIMUM	NOMINAL	MAXIMUM	
EPD5958-22-*	22	38	.005	.064	.067	7.49
EPD5958-20-*	20	38	.005	.069	.075	9.85
EPD5958-18-*	18	38	.005	.079	.085	12.30

CABLE RATINGS AND ADDITIONAL REQUIREMENTS

TEMPERATURE RATING: 150°C
 Maximum continuous conductor temperature
 VOLTAGE RATING: 600 volts (rms) at sea level
 ACCELERATED AGING: 300 ± 3°C for 7 hours
 BLOCKING: 200 ± 3°C for 6 hours
 DIELECTRIC WITHSTAND: 1500 volts (rms), 60 Hz
 FLAMMABILITY: Procedure 1,
 3 seconds (maximum); 3 in. (maximum);
 no flaming of facial tissue
 JACKET COLOR: White preferred
 JACKET ELONGATION AND TENSILE STRENGTH:
 Elongation, 50% (minimum)
 Tensile Strength, 5000 lbf/in² (minimum)

JACKET FLAWS:
 Spark Test, 1000 volts (rms)
 Impulse Dielectric Test, 6.0 kV (peak)
 LIFE CYCLE: 200 ± 3°C for 168 hours
 LOW TEMPERATURE-COLD BEND: -65 ± 2°C for 4 hours
 SHIELD COVERAGE: 90% (minimum)
 VOLTAGE WITHSTAND TEST (Post Environmental):
 1000 volts (rms), 60 Hz, 1 minute

PART NUMBER:
 The "*" in the part numbers above shall be replaced by a color code designator with a dash separating the component wire color from the jacket color.
 1/ Example: AWG 20, white component wire; white jacket:
 EPD5958-20-9-9

NOTE: Nominal values are for information only.
 Nominal values are not requirements.

Users should evaluate the suitability of this product for their application. Specifications are subject to change without notice. Tyco Electronics also reserves the right to make changes in materials or processing, which do not affect compliance with any specification, without notification to Buyer.

1/ COLORS AND COLOR CODE DESIGNATORS SHALL BE IN ACCORDANCE WITH MIL-STD-681. HOWEVER, DUE TO LENGTH LIMITATIONS OF THE RAYCHEM PART NUMBER, AN ALTERNATIVE COLOR CODE MAY REPLACE MIL-STD-681 COLOR CODE DESIGNATORS. (EXAMPLE: "901/902..." MAY BE REPLACED BY "Axxx".) OTHER CODES AND SUFFIXES MAY BE ADDED TO THE PART NUMBER, AS NECESSARY, TO CAPTURE ANY ADDITIONAL REQUIREMENTS IMPOSED BY THE PURCHASE ORDER.