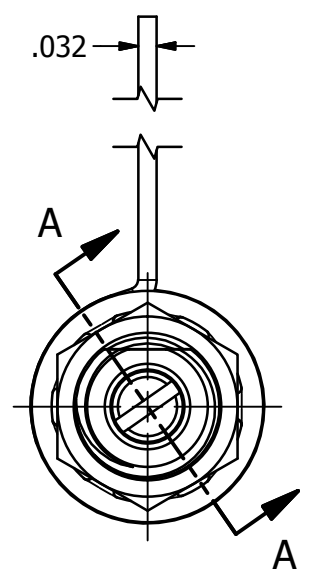


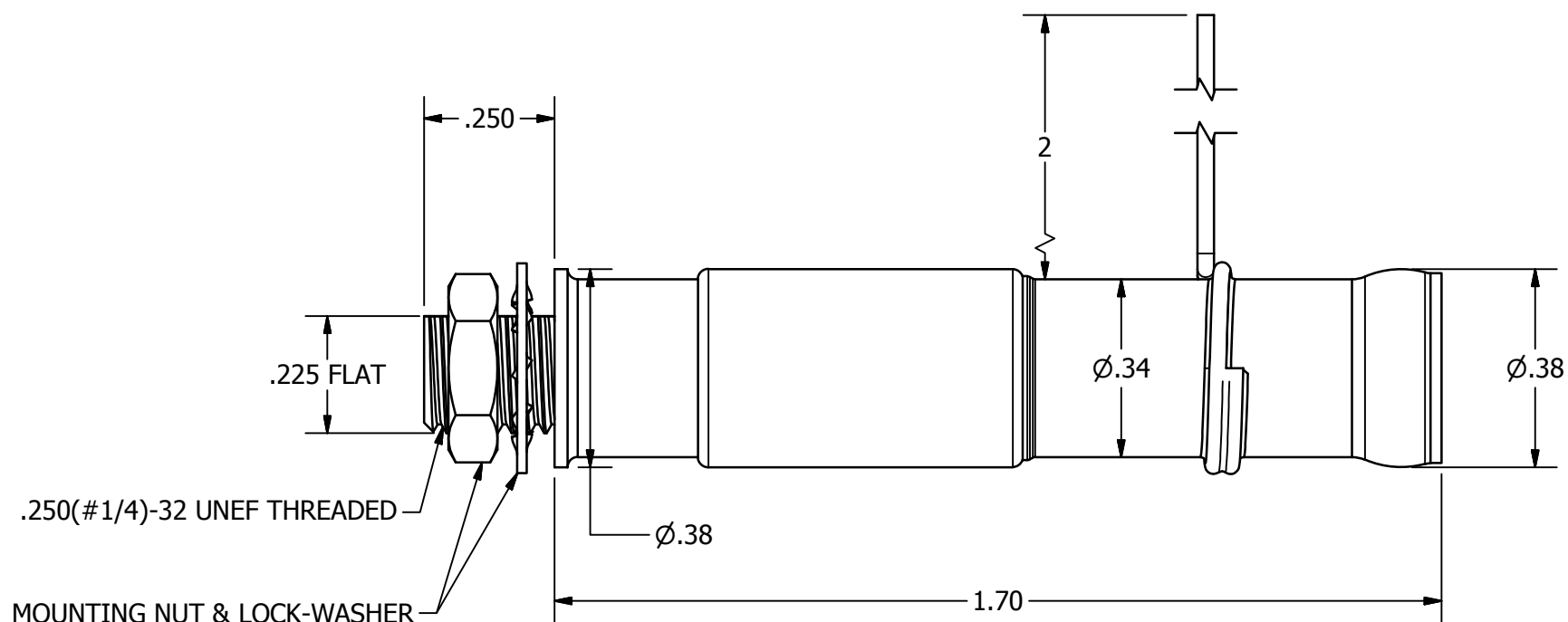
NOTES:

1. INTERPRET DRAWING PER ANSI Y14.5M-1994.
2. ELECTRICAL SPECIFICATIONS:
 - 2.1. CAPACITANCE RANGE: 3.0 [pF] TO 23.0 [pF].
 - 2.2. DC WORKING VOLTAGE AT 23.0 [pF]: 3000 [VOLTS].
 - 2.3. DC WITHSTANDING VOLTAGE AT 23.0 [pF]: 6000 [VOLTS].
 - 2.4. Q FACTOR AT 25 [MHz] AND 23.0 [pF]: ~2200 MIN.
 - 2.5. INSULATION RESISTANCE: 10⁶ [MEGAOHMS] AT 25°C.
 - 2.6. TEMPERATURE COEFFICIENT N/A ± N/A [PPM/°C].
3. MECHANICAL SPECIFICATIONS:
 - 3.1. TUNING TORQUE: 0.5 [in·oz] TO 4.0 [in·oz].
 - 3.2. ROTATIONAL LIFE: 600 TURNS MIN.
 - 3.3. CONSTRUCTION: SEALED; NON-MAGNETIC.
4. ENVIRONMENTAL:
 - 4.1. OPERATING TEMPERATURE: -55°C TO +125°C.
 - 4.2. VIBRATION: N/Ag AT N/A[Hz].
 - 4.3. SHOCK: N/Ag BY N/A [MILLISECONDS].
 - 4.4. GROSS LEAK: 40 [PSI] MIN.
 - 4.5. RoHS COMPLAINT.

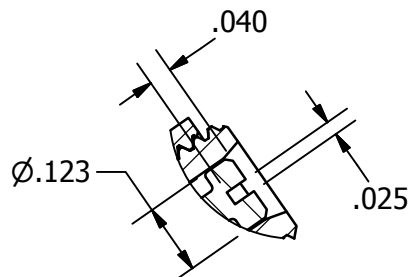
REVISION HISTORY					
ECO#	ZONE	REV	DESCRIPTION	DRAWN	APPROVED
1093	ALL	A	UPDATED TO CURRENT STANDARDS	AD 11/23/16	EC 11/28/16



MAIN VIEW
SCALE 3:1



MOUNTING NUT & LOCK-WASHER



SECTION A-A
SCALE 3:1

MATERIAL		DRAWN		11/23/2016	
N/A		A. DIAB		11/23/2016	
FINISH		CHECKED		11/28/2016	
N/A		G. VALENZUELA		11/28/2016	
TOLERANCES		QUALITY ASSURANCE		11/28/2016	
.XX ±.016		C. OQUENDO		11/28/2016	
.XXX ±.005		MANUFACTURING		11/28/2016	
.XXXX ±.0005		F. KHALIFEH		11/28/2016	
X°±1° X.X°±0.1°		ENGINEERING		11/28/2016	
3RD ANGLE PROJECTION		E. CONTRERAS		11/28/2016	
		CUSTOMER PART NUMBER			
		INVENTOR 2014 GENERATED DWG			

knowles
DLI • Novacap • Syfer • Voltronics

VOLTRONICS
THE TRIMMER CAPACITOR COMPANY
2777 ROUTE 20 EAST
CAZENOVIA, NY 13035

OUTLINE DRAWING FOR NMNT23-6

SIZE	CAGE CODE	PART NUMBER	REV
B	18736	NMNT23-6	A
SCALE	PER VIEW	DWG NO.	SHEET 1 OF 1
		V-70285	