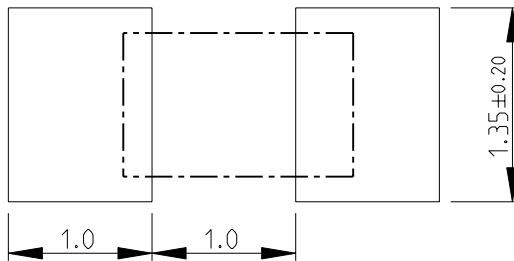
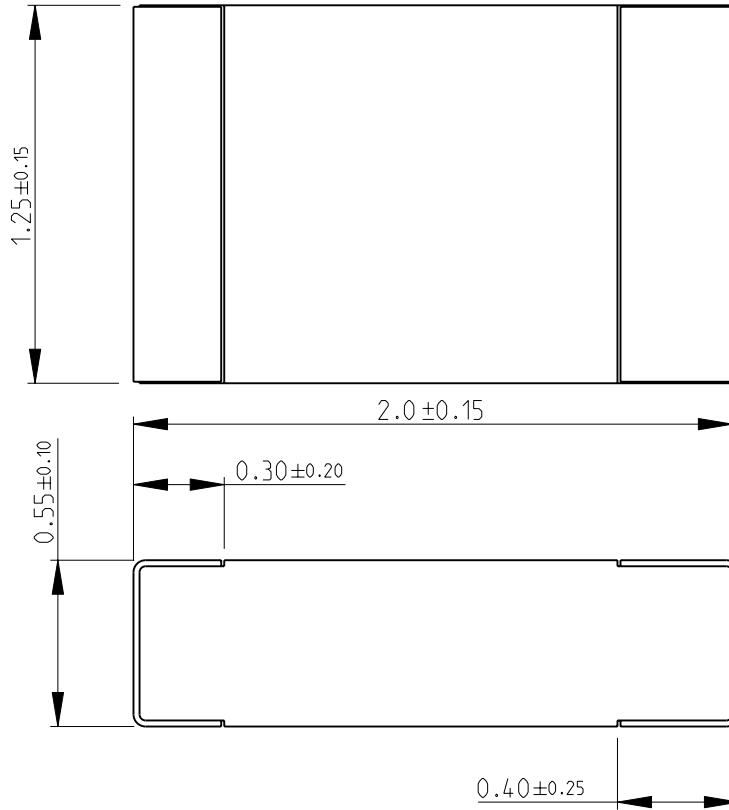


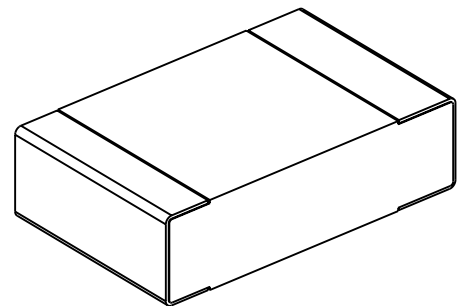
LOC	DIST	REVISIONS					
E	B	P	LTR	DESCRIPTION	DATE	DWN	APVD
			BA	NEW RELEASE	18-FEB-10	MRS	St.P

FOR FURTHER INFORMATION SEE DATA SHEET FOR  
RN73 SERIES-HIGH PRECISION RESISTORS (SMD)



RECOMMENDED LAND PATTERN

RoHS Compliant



SCALE 25:1

2010

RELEASED FOR PUBLICATION

THIS DRAWING IS UNPUBLISHED.

BY TYCO ELECTRONICS CORPORATION. ALL RIGHTS RESERVED.



DIMENSIONS: mm	DWN	MAHARUDRA	18-FEB-10	MATERIAL	-	FINISH	-								
	CHK	ALLAN.P	18-FEB-10	Tyco Electronics Corporation Dorcan, Swindon, SN3 5HH											
TOLERANCES UNLESS OTHERWISE SPECIFIED:	APVD	STEPHEN.P	18-FEB-10					NAME	HIGH PRECISION RESISTORS (SMD) SERIES RN73 2A						
	0 PLC	±0.2	PRODUCT SPEC	-	SIZE	CAGE CODE	DRAWING NO	RESTRICTED TO							
1 PLC	±0.1	APPLICATION SPEC	-	A 4	00779	© = 1614422	-								
2 PLC	±	WEIGHT	-	CUSTOMER DRAWING				SCALE	40:1	SHEET	1	OF	1	REV	BA
3 PLC	±														
4 PLC	±														
ANGLES	±5°														