

5 - Volt Fixed Voltage Regulators

Description

The SG109 is a self-contained 5V regulator designed to provide local regulation at currents up to 1A for digital logic cards. This device is available in the hermetic TO-3 and TO-39 packages.

The SG109's design has protective features principally current limiting to control the peak currents and thermal shutdown to protect against excessive power dissipation. These features make the device blowout proof.

With the only added component being an optional input bypass capacitor, this regulator becomes extremely easy to apply. Utilizing an improved Bandgap reference design, problems that are normally associated with the Zener diode references, such as, drift in output voltage and large changes in the line and load regulation have been eliminated.

Features

- Fully Compatible with TTL and DTL
- Output Current in Excess of 1A
- Internal Thermal Overload Protection
- No Additional External Components
- Bandgap Reference Voltage
- Foldback Current Limiting

High Reliability Features

Following are the high reliability features of SG109:

- Available to MIL-STD-883, ¶ 1.2.1
- MSC-AMS level "S" processing available
- MIL-M38510/10701BXA SG109T-JAN

Block Diagram

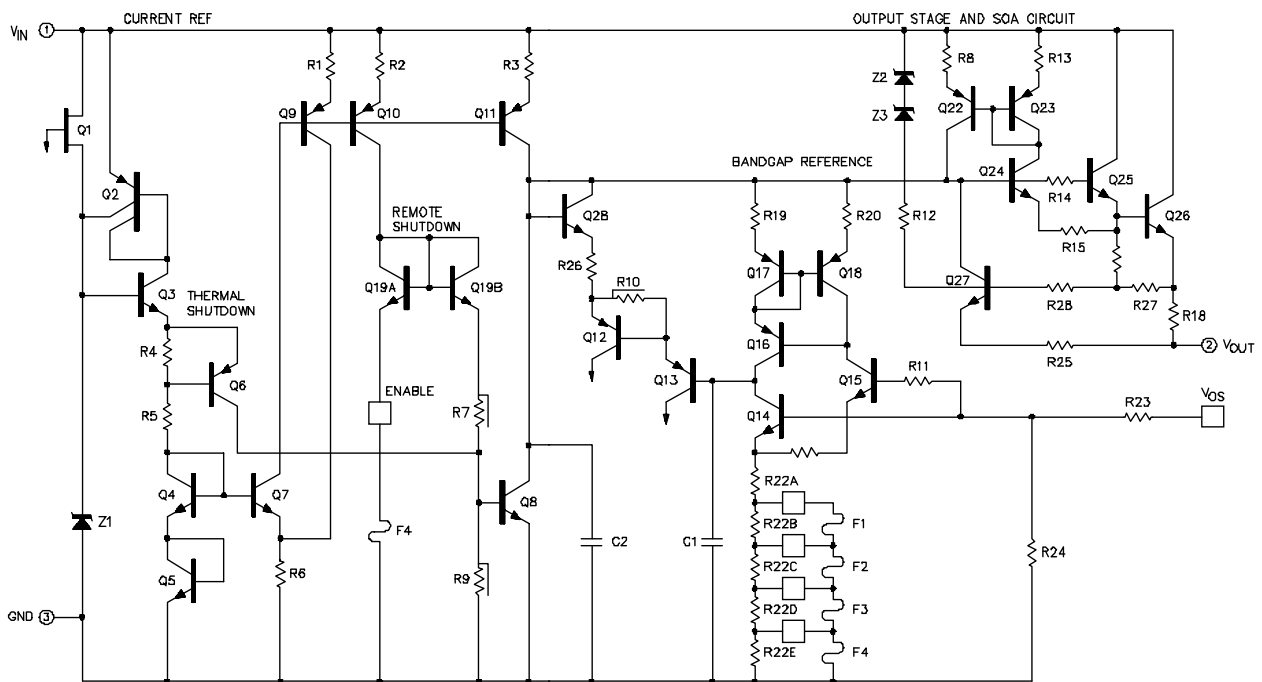


Figure 1 - Block Diagram

Absolute Maximum Ratings (Note 1)

Input Voltage	35V	Operating Junction Temperature	
Power Dissipation	Internally Limited	Hermetic (K and T Packages).....	150°C
Storage Temperature Range	-65°C to 150°C	Lead Temperature (Soldering, 10 Seconds)	300°C

Note 1. Exceeding these ratings could cause damage to the device.

Thermal Data

K Package:

Thermal Resistance - Junction to Case, θ_{JC} 3.0°C/W

Thermal Resistance - Junction to Ambient, θ_{JA} 35°C/W

T Package:

Thermal Resistance-Junction to Case, θ_{JC} 15°C/W

Thermal Resistance-Junction to Ambient, θ_{JA} 120°C/W

Note A. Junction Temperature Calculation: $T_J = T_A + (P_D \times \theta_{JA})$.

Note B. The above numbers for θ_{JC} are maximums for the limiting thermal resistance of the package in a standard mounting configuration. The θ_{JA} numbers are meant to be guidelines for the thermal performance of the device/pc-board system. All of the above assume no ambient airflow.

Recommended Operating Conditions (Note 2)

Input Voltage Range 7.0V to 25V

Operating Junction Temperature Range

Note 2. Range over which the device is functional.

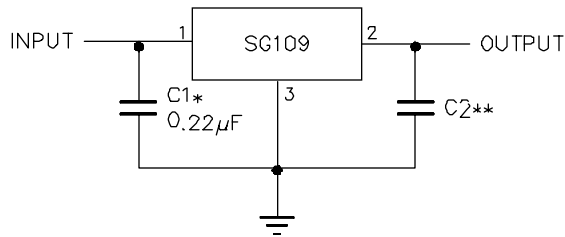
SG109 -55°C to 150°C

Electrical Characteristics

(Unless otherwise specified, these specifications apply over the operating ambient temperatures for SG109 with $-55^\circ\text{C} \leq T_A \leq 150^\circ\text{C}$ and for $V_{IN} = 10\text{V}$, $I_{OUT} = 500\text{mA}$ (K-package) and $I = 100\text{mA}$ (T-package). Low duty cycle pulse testing techniques are used which maintains junction and case temperatures equal to the ambient temperature.)

Parameter	Test Conditions	SG109			Units
		Min.	Typ.	Max.	
Output Voltage	$T_A = 25^\circ\text{C}$	4.7	5.05	5.3	V
Line Regulation	$V_{IN} = 7.1\text{V to } 25\text{V}$, $T_A = 25^\circ\text{C}$		4.0	50	mV
Load Regulation	$T_A = 25^\circ\text{C}$ K-Package: $I_{OUT} = 5\text{mA to } 1.5\text{A}$ T-package: $I_{OUT} = 5\text{mA to } 500\text{mA}$		15	100	mV
Total Output Voltage Tolerance	$V_{IN} = 7.4\text{V to } 25\text{V}$ K-Package: $I_{OUT} = 5\text{mA to } 1.0\text{A}$, $P \leq 20\text{W}$ T-package: $I_{OUT} = 5\text{mA to } 200\text{mA}$, $P \leq 2\text{W}$	4.6	5.0	5.4	V
Quiescent Current Quiescent	$V_{IN} = 7.4\text{V to } 25\text{V}$			10	mA
Current Change	With Line: $V_{IN} = 7.4\text{V to } 25\text{V}$ With Load: K-Package: $I_{OUT} = 5\text{mA to } 1.0\text{A}$ T-package: $I_{OUT} = 5\text{mA to } 200\text{mA}$			0.5	mA
Output Noise Voltage	$f = 10\text{Hz to } 100\text{kHz}$, $T_A = 25^\circ\text{C}$		40		μV
Long Term Stability			10		mV
Ripple Rejection	$T_A = 25^\circ\text{C}$	50			dB

Application Circuits



* Required if regulator is in appreciable distance from power supply filter.

** Although no output capacitor is needed for stability it does improve transient response.

Figure 2 - Fixed 5V Regulator

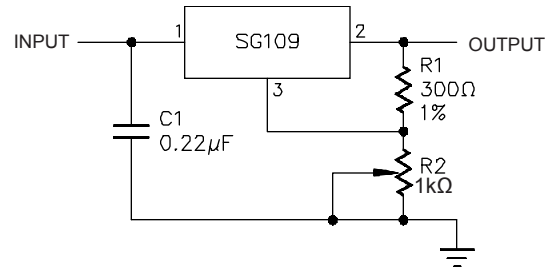
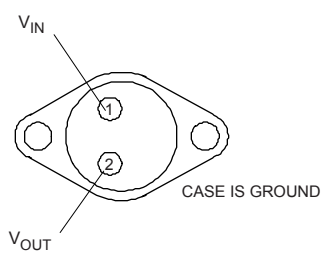
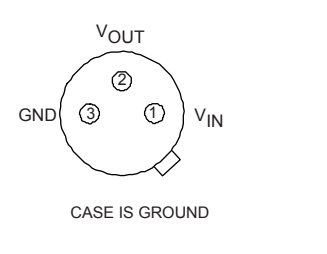


Figure 3 - Adjustable Output Regulator

Connection Diagrams and Ordering Information (See Notes Below)

Package	Part No.	Ambient Temperature Range	Connection Diagram
3-TERMINAL TO-3 METAL CAN K-PACKAGE	SG109K-883B SG109K	-55°C to 125°C -55°C to 125°C	
3-PIN TO-39 METAL CAN T-PACKAGE	SG109T-883B SG109T-JAN SG109T	-55°C to 125°C -55°C to 125°C -55°C to 125°C	

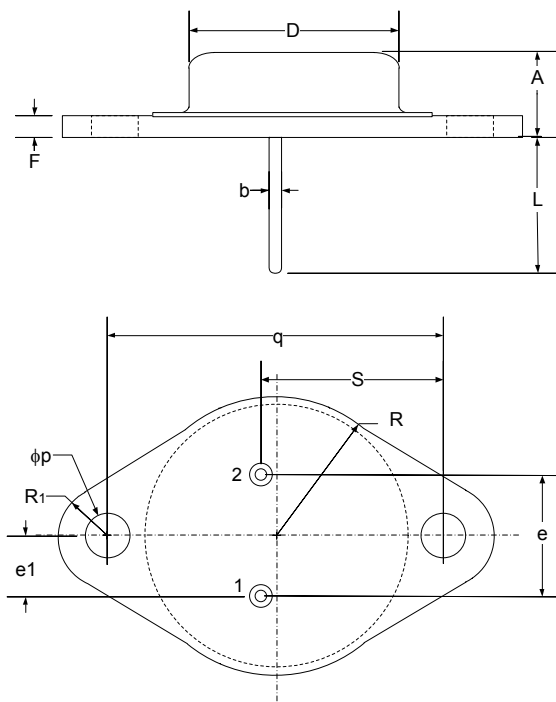
Note 1. Contact factory for JAN product availability.

2. All parts are viewed from the top.

3. Packages use Pb37/Sn63 hot solder lead finish, contact factory for availability of RoHS versions.

Package Outline Dimensions

Controlling dimensions are in inches, metric equivalents are shown for general information.

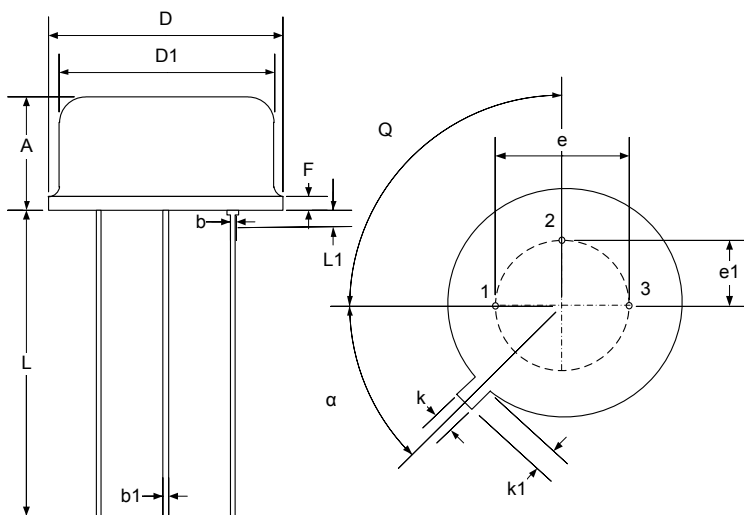


DIM	MILLIMETERS		INCHES	
	MIN	MAX	MIN	MAX
A	6.86	7.62	0.270	0.300
q	29.90	30.40	1.177	1.197
b	0.97	1.09	0.038	0.043
D	19.43	19.68	0.765	0.775
S	16.64	17.14	0.655	0.675
e	10.67	11.18	0.420	0.440
e1	5.21	5.72	0.205	0.225
F	1.52	2.03	0.060	0.080
ϕ_p	3.84	4.09	0.151	0.161
L	10.79	12.19	0.425	0.480
R1	3.33	4.78	0.131	0.188
R	12.57	13.34	0.495	0.525

Note:

Dimensions do not include protrusions; these shall not exceed 0.155mm (.006") on any side. Lead dimension shall not include solder coverage.

Figure 4 - K 3-Pin Metal Can TO-3 Package Dimensions



DIM	MILLIMETERS		INCHES	
	MIN	MAX	MIN	MAX
A	4.19	4.70	0.165	0.185
b	0.41	0.48	0.016	0.019
b1	0.41	0.53	0.016	0.021
D	8.89	9.40	0.350	0.370
D1	8.13	8.51	0.320	0.335
e	5.08 BSC		0.200 BSC	
e1	2.54 TYP		0.100 TYP	
F	-	1.02	-	0.040
k	0.71	0.86	0.028	0.034
k1	0.74	1.14	0.029	0.045
L	12.70	14.48	0.500	0.570
L1	-	1.27	-	0.050
Q	90° TYP		90° TYP	
α	45° TYP		45° TYP	

Note:

Dimensions do not include protrusions; these shall not exceed 0.155mm (.006") on any side. Lead dimension shall not include solder coverage.

Figure 5 - T 3-Pin Metal Can TO-39 Package Dimensions



Microsemi Corporate Headquarters
One Enterprise, Aliso Viejo,
CA 92656 USA

Within the USA: +1 (800) 713-4113
Outside the USA: +1 (949) 380-6100
Sales: +1 (949) 380-6136
Fax: +1 (949) 215-4996

E-mail: sales.support@microsemi.com

© 2015 Microsemi Corporation. All rights reserved. Microsemi and the Microsemi logo are trademarks of Microsemi Corporation. All other trademarks and service marks are the property of their respective owners.

Microsemi Corporation (Nasdaq: MSCC) offers a comprehensive portfolio of semiconductor and system solutions for communications, defense & security, aerospace and industrial markets. Products include high-performance and radiation-hardened analog mixed-signal integrated circuits, FPGAs, SoCs and ASICs; power management products; timing and synchronization devices and precise time solutions, setting the world's standard for time; voice processing devices; RF solutions; discrete components; security technologies and scalable anti-tamper products; Power-over-Ethernet ICs and midspans; as well as custom design capabilities and services. Microsemi is headquartered in Aliso Viejo, Calif., and has approximately 3,400 employees globally. Learn more at www.microsemi.com.

Microsemi makes no warranty, representation, or guarantee regarding the information contained herein or the suitability of its products and services for any particular purpose, nor does Microsemi assume any liability whatsoever arising out of the application or use of any product or circuit. The products sold hereunder and any other products sold by Microsemi have been subject to limited testing and should not be used in conjunction with mission-critical equipment or applications. Any performance specifications are believed to be reliable but are not verified, and Buyer must conduct and complete all performance and other testing of the products, alone and together with, or installed in, any end-products. Buyer shall not rely on any data and performance specifications or parameters provided by Microsemi. It is the Buyer's responsibility to independently determine suitability of any products and to test and verify the same. The information provided by Microsemi hereunder is provided "as is, where is" and with all faults, and the entire risk associated with such information is entirely with the Buyer. Microsemi does not grant, explicitly or implicitly, to any party any patent rights, licenses, or any other IP rights, whether with regard to such information itself or anything described by such information. Information provided in this document is proprietary to Microsemi, and Microsemi reserves the right to make any changes to the information in this document or to any products and services at any time without notice.