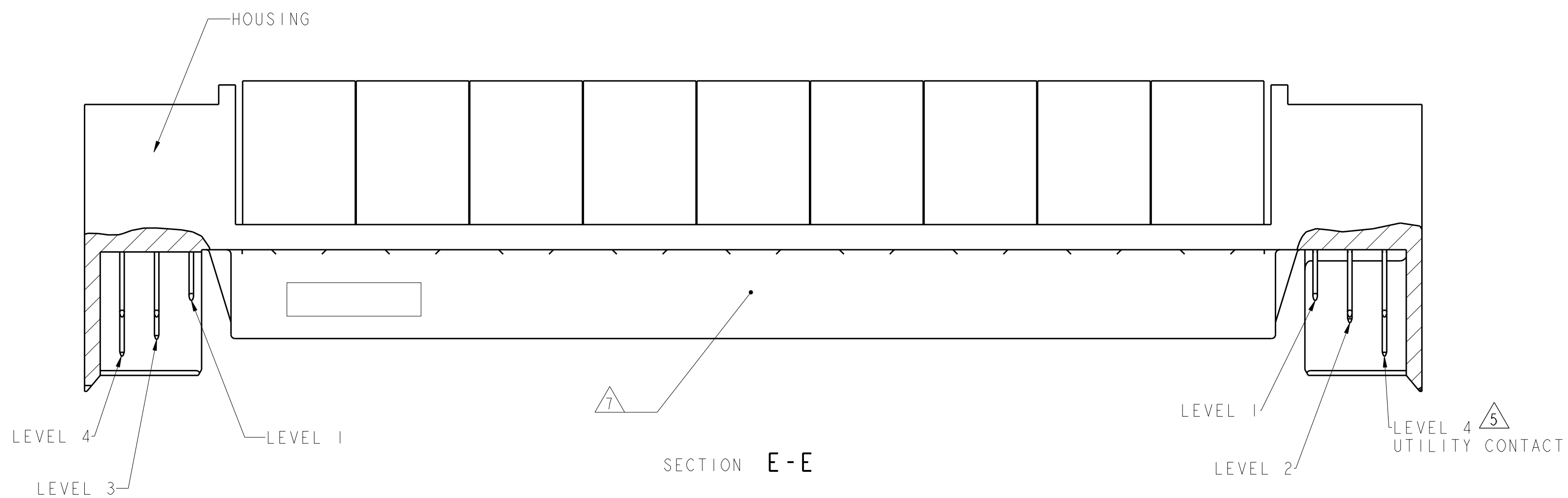
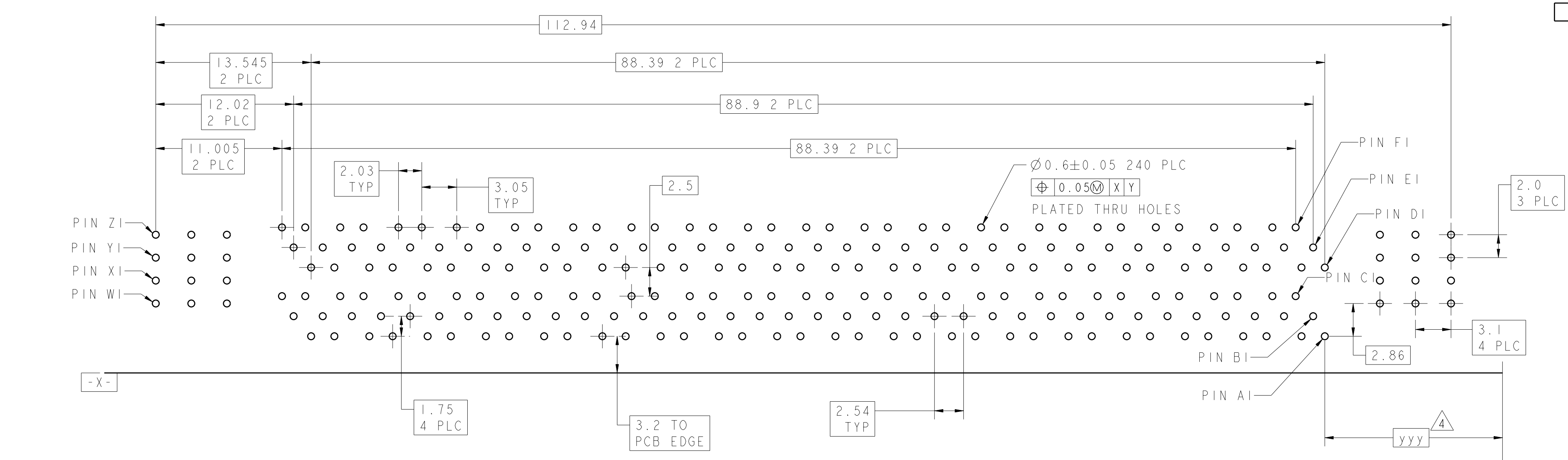
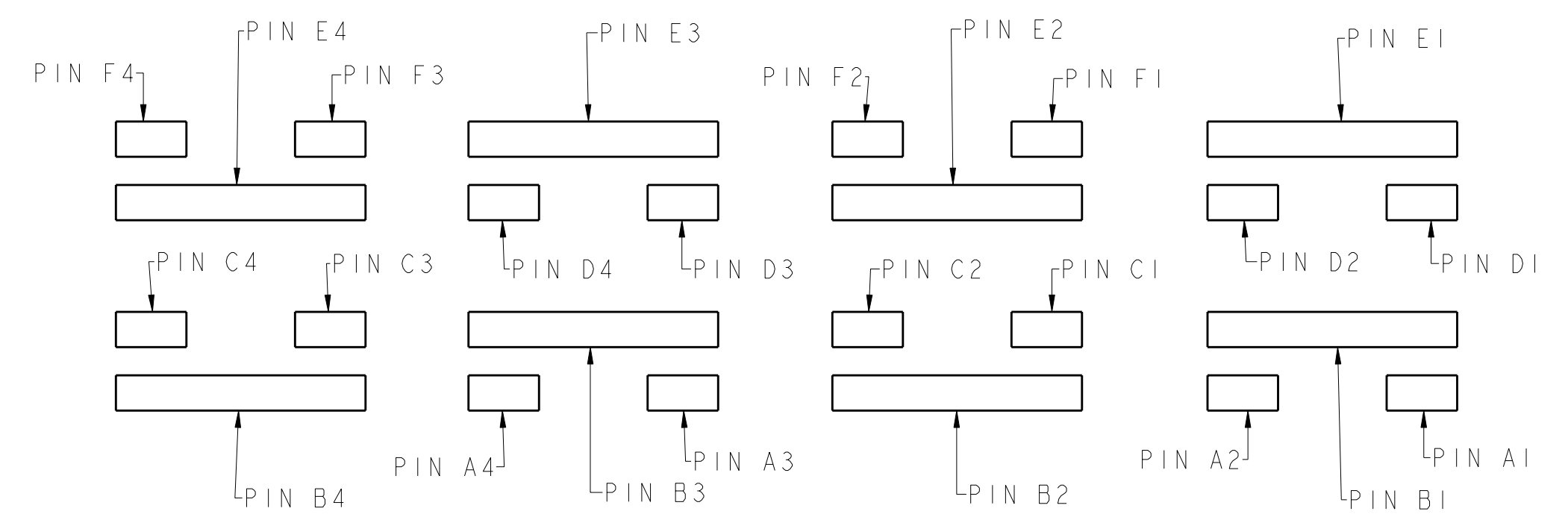
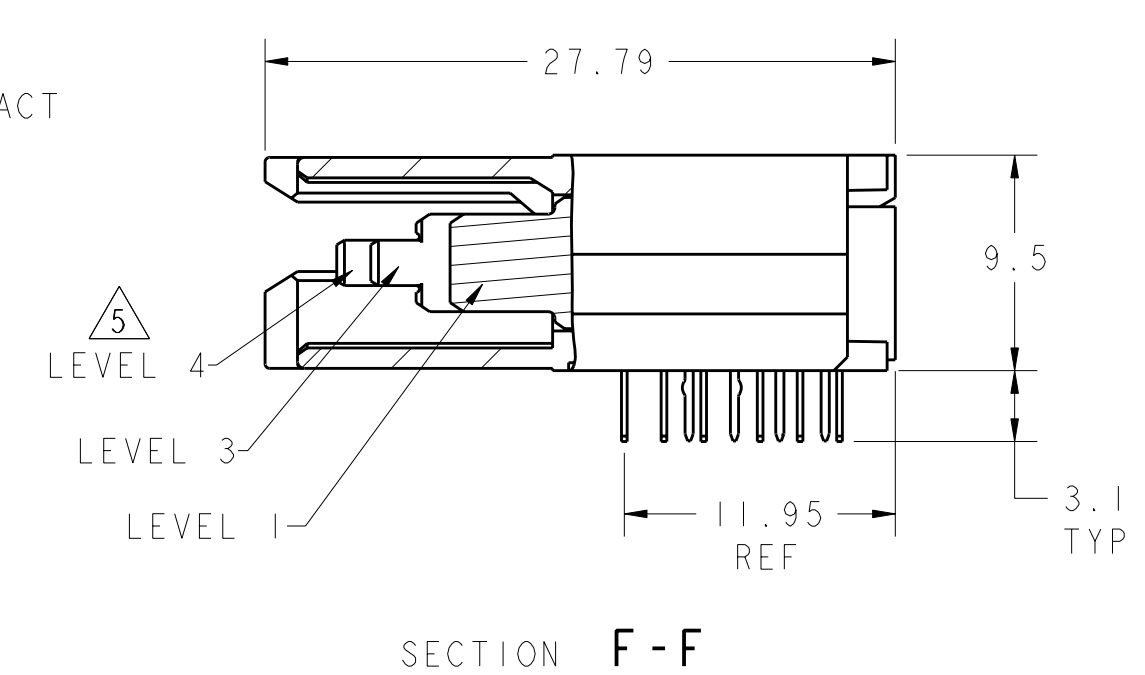
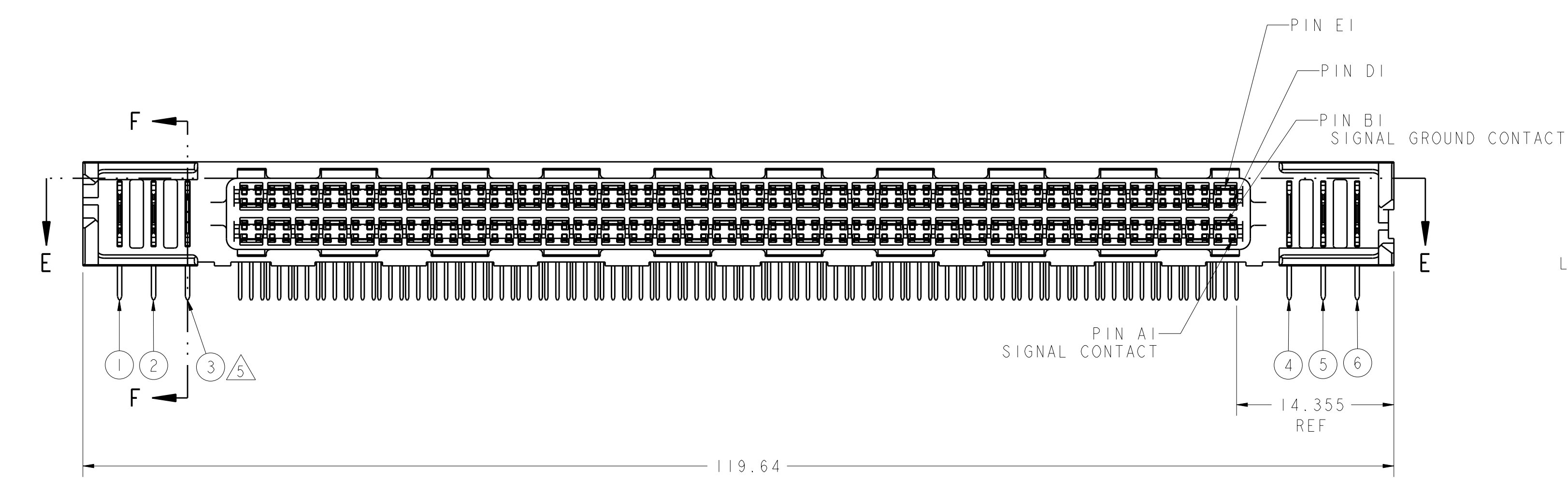


LOC	DIST	REV	DATE	BY	APPD
GP	00				
B		REVISED PER ECO-08-009490	4JUN2008	ZMR	EDB
C		REVISED PER ECO-10-012356	13DEC2010	CJV	EJB



- 1. HOUSINGS; POLYESTER, UL 94V-0 RATED, NATURAL SIGNAL AND SIGNAL GROUND CONTACTS: COPPER ALLOY UTILITY CONTACTS: PHOSPHOR BRONZE
- 2. UTILITY CONTACTS: 0.76um MIN GOLD IN CONTACT AREA, 2.54um MIN TIN ON PCB TAILS, OVER 1.27um MIN NICKEL OVER ALL. SIGNAL AND SIGNAL GROUND CONTACTS: 0.76um MIN GOLD IN CONTACT AREA, 2.54um MIN TIN ON PCB TAILS, OVER 1.27um MIN NICKEL OVER ALL.
- 3. ROWS A, C, D, AND F ARE SIGNAL CONTACTS. ROWS B AND E ARE SIGNAL GROUND CONTACTS.
- 4. DIMENSIONS PER CUSTOMER BOARD LAYOUT.
- 5. SEE UTILITY CONTACT SEQUENCE TABLE FOR LOCATION AND LEVEL/LENGTH OF UTILITY CONTACTS FOR EACH PRODUCT PART NUMBER. UTILITY LEVEL 1 CAN BE USED FOR SENSING. UTILITY LEVELS 2, 3, AND 4 CAN BE USED FOR POWER, GROUND, OR ESD. SEQUENCING SHOWN IN SECTION E-E SHOWS THREE LEVELS FOR COMPARISON. UTILITY LEVEL 2 EQUALS THE SIGNAL GROUND CONTACT LEVEL. SIGNAL LEVEL IS BETWEEN UTILITY LEVELS 1 AND 2.
- 6. BLOCK DIAGRAM AND CONTACT IDENTIFICATION APPLY TO COPLANAR NON-INVERTED APPLICATION ONLY. CONTACT IDENTIFICATION REVERSES FOR INVERTED APPLICATIONS, I.E. COPLANAR OR MID-BOARD INVERTED.
- 7. COMPANY LOGO IN APPROXIMATE AREA SHOWN.



UTILITY CONTACT SEQUENCE TABLE						PART NUMBER
UTILITY CONTACT LEVEL 1, 2, 3, OR 4						
2	3	4	3	2	1	6367559-2
4	3	2	2	3	4	6367559-1
1	2	3	4	5	6	

UTILITY CONTACT LOCATION

RECOMMENDED PC BOARD FOOTPRINT
COMPONENT SIDE SHOWN
SCALE 4:1

DIMENSIONS: mm 		TOLERANCES UNLESS OTHERWISE SPECIFIED: 9 PLC ± .3 2 PLC ± 0.3 5 PLC ± 0.25 4 PLC ± .1 ANGLES ± .1		DWN E. BRIANT 01AUG2006 CHK E. BRIANT 01AUG2006 APVD E. BRIANT 01AUG2006		Tyco Electronics Harrisburg, PA 17105-3608	
MATERIAL:		FINISH:		NAME: Z-DOK+ ADAPTER BOARD CONNECTOR ASSEMBLY, 72 SIGNAL DIFF. PAIR, 3 UTILITY CONTACTS PER SIDE		SIZE: CAGE CODE DRAWING NO. RESTRICTED TO WEIGHT: 114-13068 CUSTOMER DRAWING	
SCALE: 3:1				SHEET 1 OF 1		REV C	