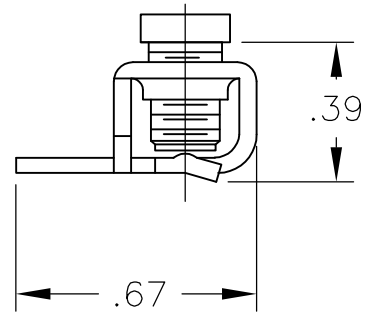
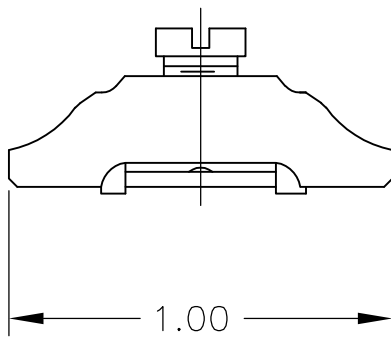


LOC	DIST	REVISIONS					
		P	LTR	DESCRIPTION	DATE	DWN	APVD
—	—		A	REDRAWN PER ECO-08-023052	30SEP08	HMR	SM



MATERIAL: STEEL, ZINC PLATED



THIS DRAWING IS UNPUBLISHED.

ALL INTERNATIONAL RIGHTS RESERVED.

BY TYCO ELECTRONICS CORPORATION.

© COPYRIGHT

DIMENSIONS: INCHES	DWN	30SEP08	MATERIAL	1	FINISH	—	
	CHK	30SEP08	Tyco Electronics Corporation Harrisburg, PA 17105-3608				
TOLERANCES UNLESS OTHERWISE SPECIFIED:	APVD	30SEP08					
0 PLC ± -	PRODUCT SPEC	—	NAME				CHANNEL CLAMP ASSEMBLY
1 PLC ± -	APPLICATION SPEC	—	SIZE	CAGE CODE	DRAWING NO	RESTRICTED TO	
2 PLC ± -	WEIGHT	—	A4	00779	1437382-3	—	
3 PLC ± -	CUSTOMER DRAWING		SCALE	2:1	SHEET	1 OF 1	
4 PLC ± -						REV	A
ANGLES ± -							

