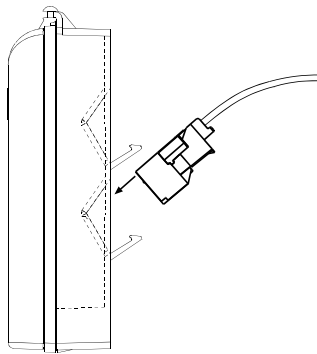


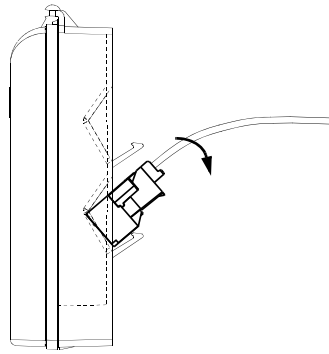
## Installation

1.



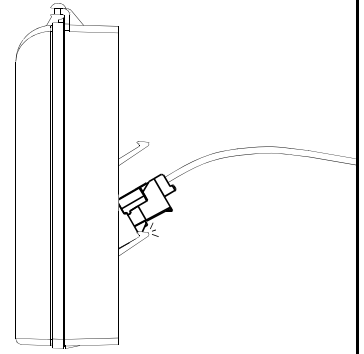
Align notch on module with tab on faceplate.

2.



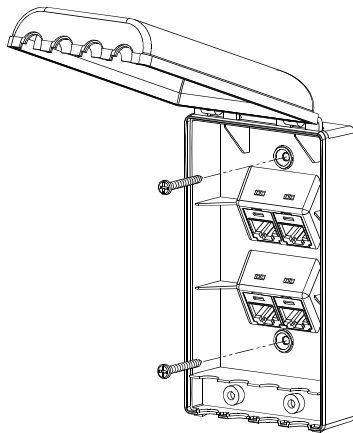
Rotate downward.

3.



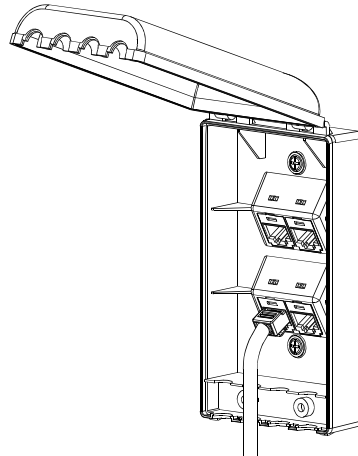
Snap into place. Repeat for all openings.

4.



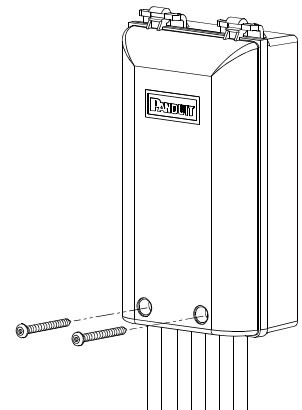
After modules have been installed, align #6-32 x 1" combination head screws with holes as shown above to mount faceplate.

5.



Insert compatible plugs into modules. Align cables 1 per notch on the faceplate as shown above.

6.



After cables have been aligned, close cover and secure with #6-32 x 1.25" hexagon button head screws or #6-32 x 1.25" combination head screws. For hexagon button head screws use a 5/64" hex key tool.