

P25 series

Rotary code switches



DISTINCTIVE FEATURES

Lateral C-contact

SMJ, SMT-Pins

Contacts with hard gold plating

Solid, tinned PCB pins



ENVIRONMENTAL SPECIFICATIONS

- Operating temperature: -50 °C to +125 °C (-58 °F to +257 °F)
- Storage temperature: -55 °C to +135 °C (-67 °F to +275 °F)
- Vibration, Shock : DIN EN 60068-2-6 and DIN EN 60068-2-27
- Humidity : 21 days at 40 °C (104 °F) 93% RH



ELECTRICAL SPECIFICATIONS

- Operating voltage : 42 VDC max.
- Contact load, static : 400 mA max.
- Contact load, dynamic : 100 mA max.
- Initial contact resistance : 80 mΩ max.
- Insulation resistance : 100 MΩ min.



MATERIALS

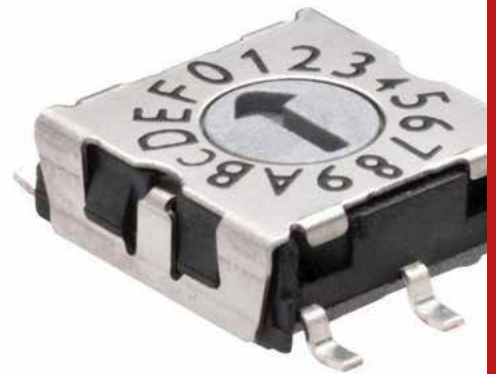
- Housing : plastic
- Cover : stainless steel
- Fixed contact, pins : copperalloy
- Moveable contacts : copperalloy
- Contact surface : hardgold
- Rotor: plastic



SOLDERING

- Reflow soldering : 260 °C (500 °F) max. for 10 seconds max.

The company reserves the right to change specifications without notice.

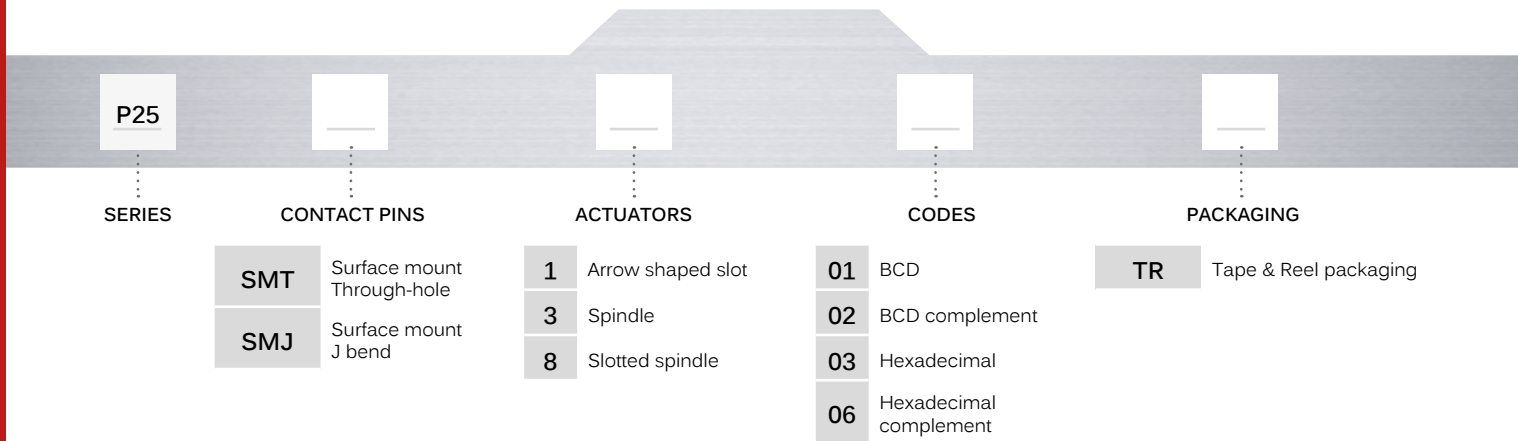


P25 series

Rotary code switches



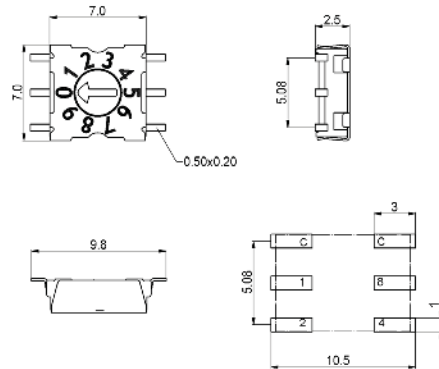
BUILD YOUR PART NUMBER



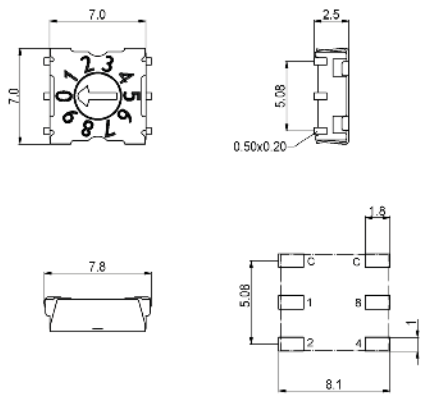
P25 series

Rotary code switches

SMT



SMJ

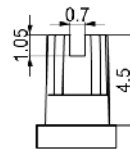


ACTUATORS

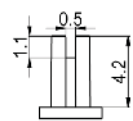
- 1 Arrow shaped slot
- 3 Spindle
- 8 Slotted spindle



1



3



8