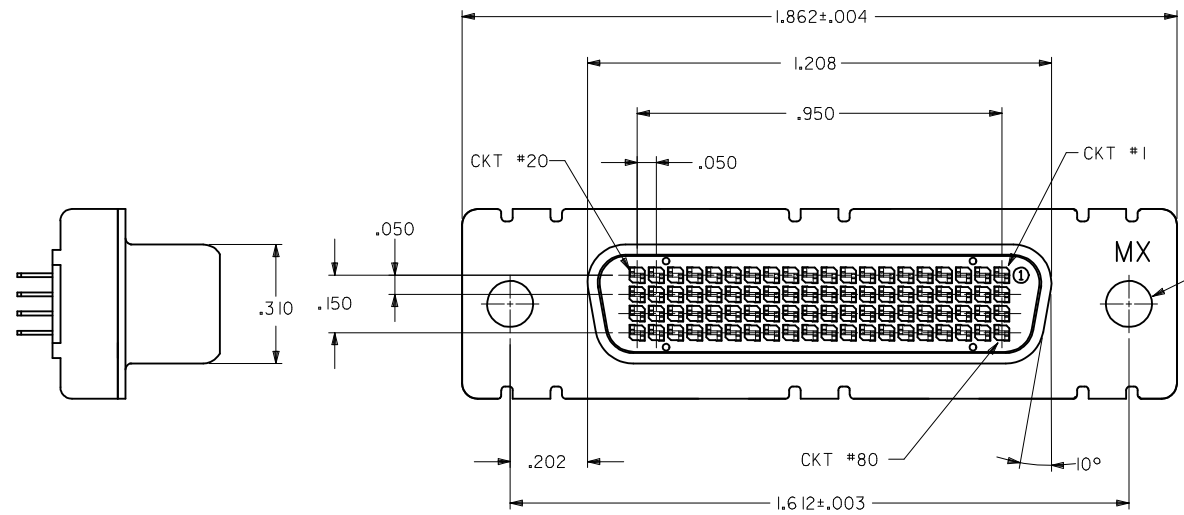
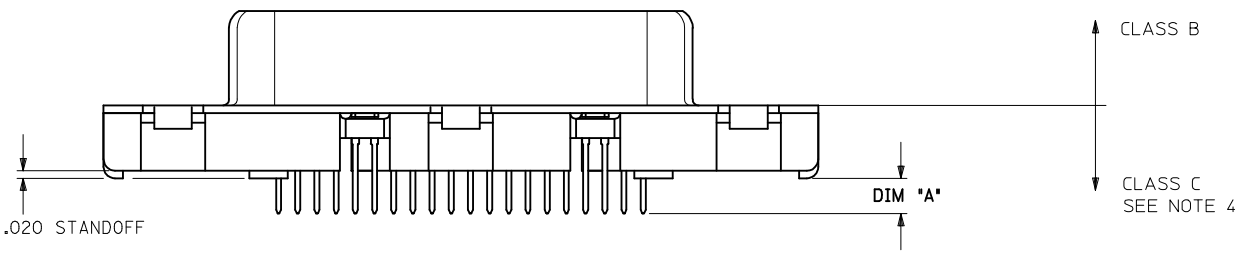
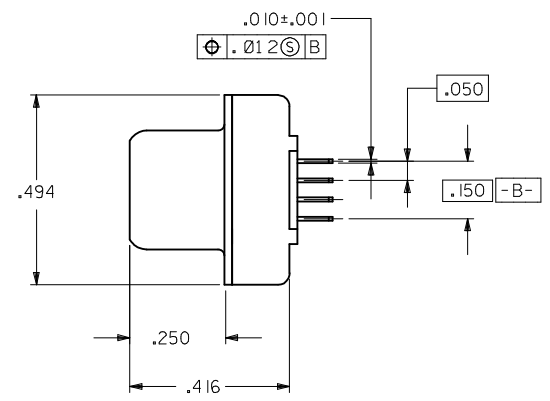


NOTES:

- 1) MATERIALS:
 - HOUSING: GLASS FILLED LCP (LIQUID CRYSTAL POLYMER), UL 94V-0, COLOR: BLACK.
 - MOLDED STICK: GLASS FILLED LCP (LIQUID CRYSTAL POLYMER), UL 94V-0, COLOR: BLACK.
 - FEMALE TERMINAL: HIGH PERFORMANCE COPPER ALLOY.
 - OUTER SHELL: DEEP DRAWN STEEL.
- 2) PLATING :
 - TERMINAL: 30 microinches / 0.76 micrometer MIN. GOLD IN SELECTIVE AREA, 100 microinches / 2.54 micrometers MIN. TIN IN SELECTIVE AREA, OVER NICKEL UNDERPLATE OVERALL.
 - OUTER SHELL: 100 microinches / 2.54 micrometers MIN. BRIGHT NICKEL OVER COPPER FLASH (OPTIONAL).
- 3) CONFORMS TO PRODUCT SPECIFICATION PS-70928.
- 4) PART COMPLIES WITH COSMETIC SPECIFICATION PS-45499-002. SEE CLASS CALLOUTS BELOW.

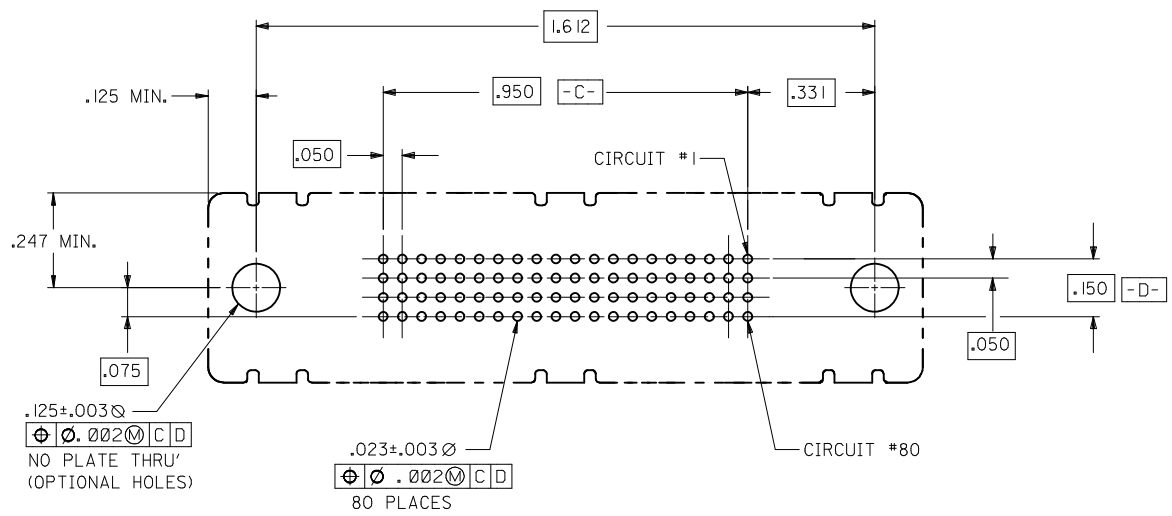


M3 THREADED INSERT
RETAINED IN PLASTIC
MAXIMUM APPLICATION
TORQUE: 5IN-LBS



ITEM NUMBER	DIM *A* (TAIL LENGTH)	PACKAGING SPECIFICATION
71478-1000	.092±.007	PK-70873-0604
71478-1001	.062±.007	PK-70873-0604
71478-1002	.150	PK-70873-640
71478-1003	.185	PK-70873-640

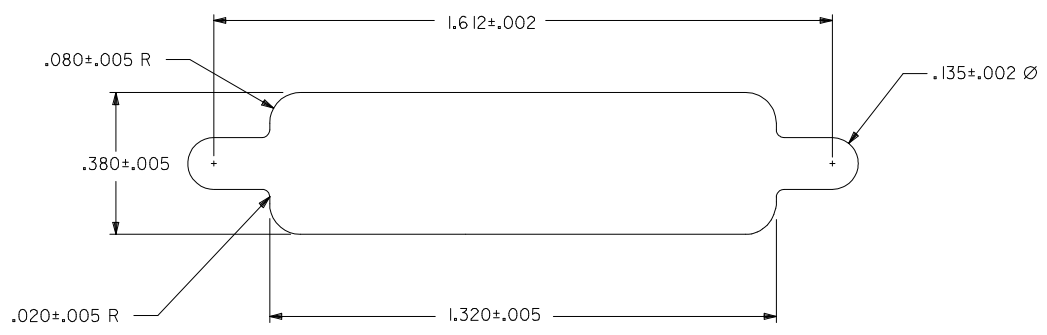
REVISE NOTES EC NO: UCP2010-0117 DRWINS:DANIELLEY 2009/07/23 CHKD:MSIBARRA 2009/07/24 APPR:SMILLER 2009/07/24	QUALITY SYMBOLS ▽=0 ▽=0	GENERAL TOLERANCES (UNLESS SPECIFIED)		DIMENSION STYLE INCH ONLY		SCALE 4:1	DESIGN UNITS INCH	THIRD ANGLE PROJECTION	
		4 PLACES ± --- ± ---	mm INCH	DRAWN BY MOS	DATE 1995/03/23	TITLE .050 X .050 80 CKT LFH VERTICAL RECEPTACLE I/O FOR .062 THICK PCB			
		3 PLACES ± --- ± .010		CHECKED BY GWF	DATE 1995/03/23	MOLEX INCORPORATED			
		2 PLACES ± --- ± ---		APPROVED BY GWF	DATE 1995/03/23	SEE TABLE			
		ANGULAR ± 1/2°		MATERIAL NO. SEE TABLE		DOCUMENT NO. SDA-71478-100*		SHEET NO. 1 OF 2	
DRAFT WHERE APPLICABLE MUST REMAIN WITHIN DIMENSIONS				THIS DRAWING CONTAINS INFORMATION THAT IS PROPRIETARY TO MOLEX INCORPORATED AND SHOULD NOT BE USED WITHOUT WRITTEN PERMISSION					



$\varnothing .125 \pm .003$
 $\varnothing .002$ C D
 NO PLATE THRU'
 (OPTIONAL HOLES)

$\varnothing .023 \pm .003$
 $\varnothing .002$ C D
 80 PLACES

RECOMMENDED P.C.B. LAYOUT
 COMPONENT SIDE



RECOMMENDED PANEL CUT-OUT

NOTE: MAX. PANEL THICKNESS: .040"

SEE SHEET 1 EC NO: UCP2010-0117 DRWN:SDANALLEY 2009/07/23 CHKD:MSIBARRA 2009/07/24 APPR:SMILLER 2009/07/24	QUALITY SYMBOLS $\blacktriangledown = 0$ $\blacktriangledown = 0$	GENERAL TOLERANCES (UNLESS SPECIFIED)		DIMENSION STYLE INCH ONLY		SCALE 4:1	DESIGN UNITS INCH	\varnothing \square THIRD ANGLE PROJECTION		
		4 PLACES	± ---	± ---	DRAWN BY	DATE	TITLE .050 X .050 80 CKT LFH VERTICAL RECEPTACLE I/O FOR .062 THICK PCB			
		3 PLACES	± ---	± .010	CHECKED BY	DATE				
		2 PLACES	± ---	± ---	GW	1995/03/23	MOLEX INCORPORATED			
1 PLACE	± ---	± ---	APPROVED BY	DATE						
ANGULAR ±1/2°			MATERIAL NO. SEE SHEET 1		DOCUMENT NO. SDA-71478-100*		SHEET NO. 2 OF 2			
DRAFT WHERE APPLICABLE MUST REMAIN WITHIN DIMENSIONS				THIS DRAWING CONTAINS INFORMATION THAT IS PROPRIETARY TO MOLEX INCORPORATED AND SHOULD NOT BE USED WITHOUT WRITTEN PERMISSION						