

NOTES:

1. MATERIALS AND FINISHES:

- BODY - BRASS, WHITE BRONZE PLATING
- SOLDER NUT - BRASS, GOLD PLATING
- CONTACT - PHOSPHOR BRONZE, GOLD PLATING
- INSULATOR - PTFE, NATURAL

2. ELECTRICAL:

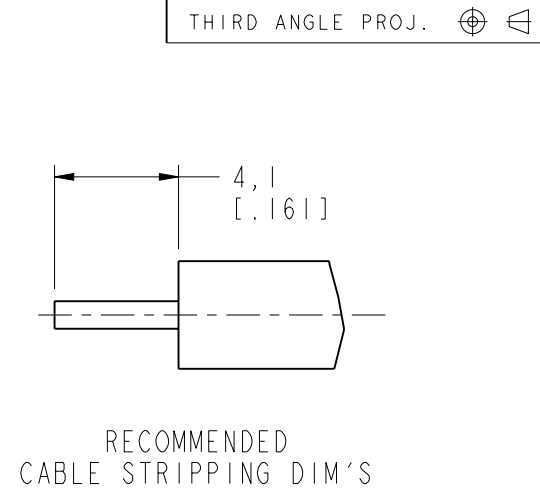
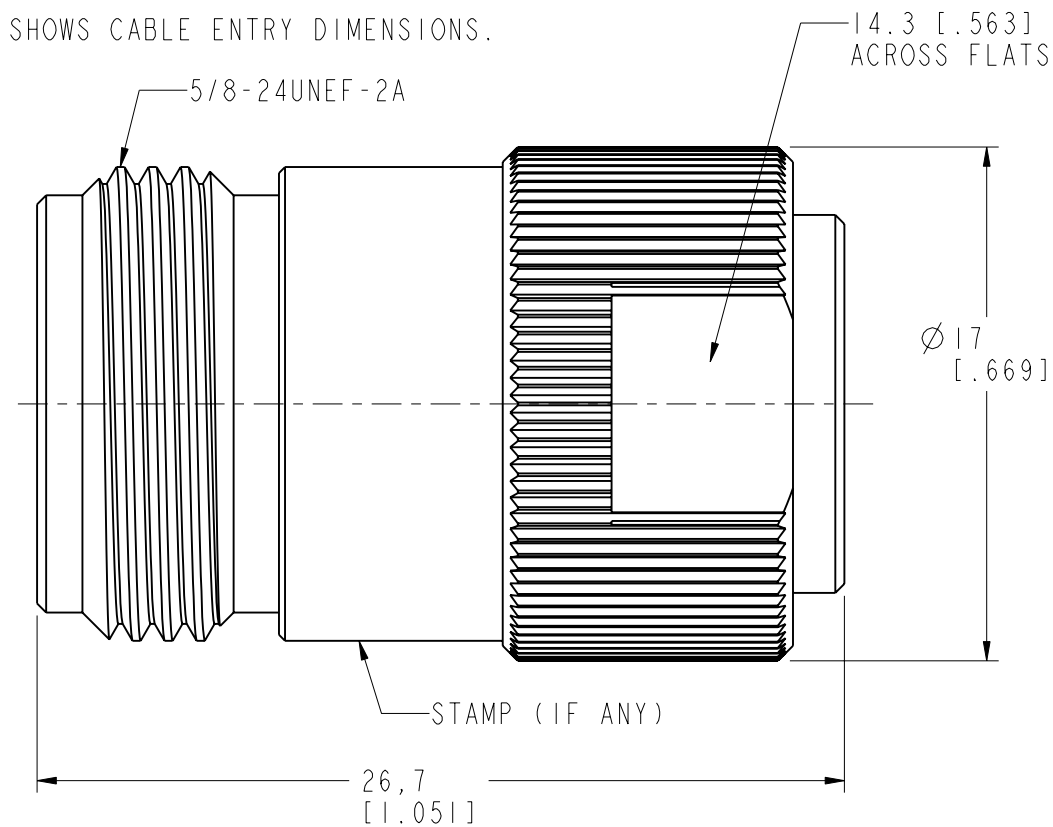
- A. IMPEDANCE: 50 OHM
- B. FREQUENCY RANGE: 0-6 GHz
- C. VSWR (RETURN LOSS): 1.3 MAX.
- D. DIELECTRIC WITHSTANDING VOLTAGE: 2500 VRMS, MIN.

3. MECHANICAL:

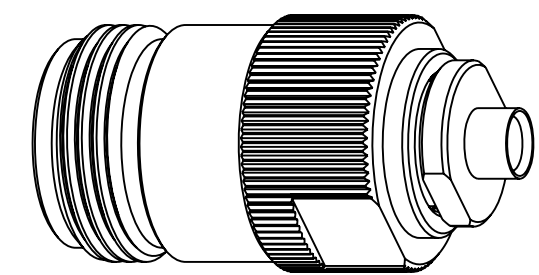
- A. DURABILITY: 500 CYCLES MIN.
- B. TEMPERATURE RANGE: -65° C TO +165° C

4. CRIMPED CONTACT PIN HEX. CRIMP SIZE .100"

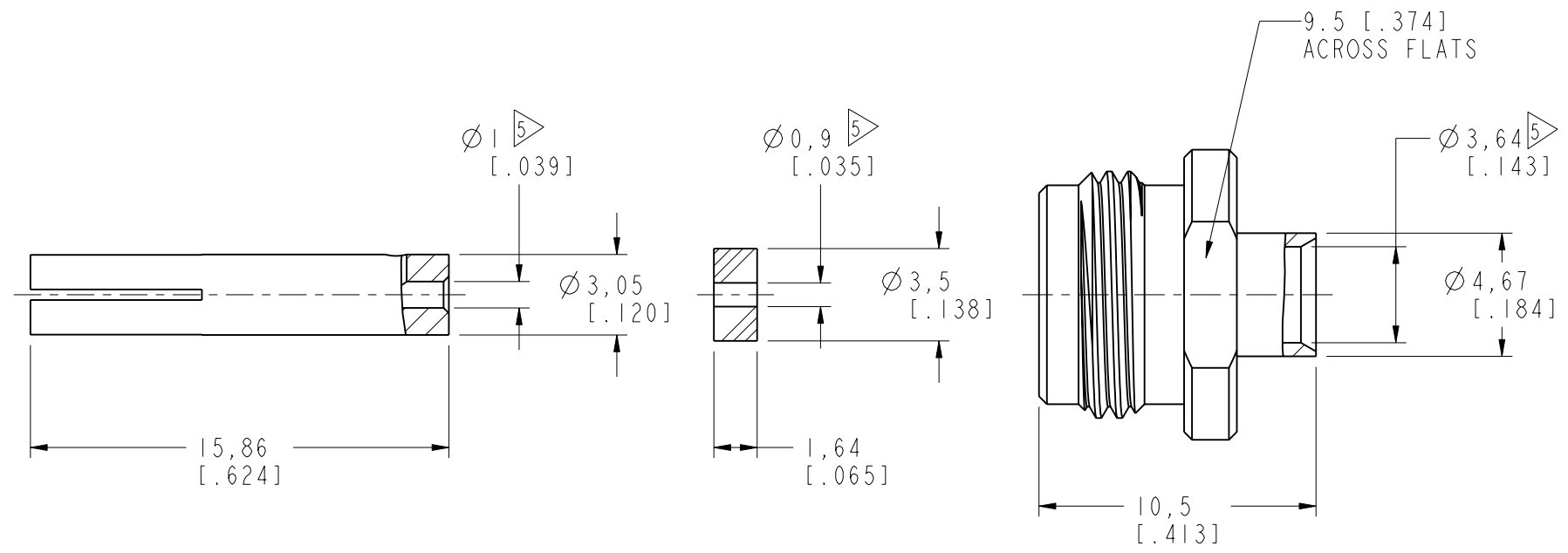
5. SHOWS CABLE ENTRY DIMENSIONS.



REVISIONS				
REV	DESCRIPTION	DATE	ECO	APPR
NC	INITIAL RELEASE	23-Oct-00	-----	GRS
A	UPDATE DRAWING FORMAT, REVISE PLATING TO NEXCOTE	25-Jun-06	-----	GRS
B	SYNC, UPDATED DRAWING FORMAT\N/A	24-Aug-16	01664	SH



SCALE 2.000



**CUSTOMER OUTLINE DRAWING**  
ALL OTHER SHEETS ARE FOR INTERNAL USE ONLY

<p>UNLESS OTHERWISE SPECIFIED, DIMENSIONS ARE IN METRIC AND TOLERANCES ARE:                  &lt;0.5mm ±0.05mm    0.5 - 6mm ±0.1mm    6 - 30mm ±0.2mm    30 - 120mm ±0.3mm    ANGLES ±1°</p> <p>NOTICE - These drawings, specifications, or other data (1) are, and remain the property of Amphenol corp. (2) must be returned upon request; and (3) are confidential and not to be disclosed to any person other than those to whom they are given by Amphenol Corp. the furnishing of these drawings, specifications, or other data by Amphenol Corp., or to any other person to anyone for any purpose is not to be regarded by implication or otherwise in any manner licensing, granting rights to permitting such holder or any other person to manufacture, use or sell any product, process or design, patented or otherwise, that may in any way be related to or disclosed by said drawings, specifications, or other data.</p>	MATERIAL	DRAWN	DATE	TITLE	<p>Amphenol RF</p> <p>www.amphenolrf.com</p>	
	-	M. ZHANG	24-Aug-16			N DIRECT SOLDER JACK (FOR .141" SEMI RIGID CABLE)
	REFERENCE AND CONFIGURATION LEVEL: In Work	ENGINEER	S.L.I	DATE		SCALE: 4.0:1.0   SHEET 2 OF 2
	FINISH	APPROVED	S.HSIEH	DATE		DWG SIZE B   REV B
					DRAWING NO. N6181A1-AX3GT5GP-141-50	
					ITEM NO. 036181AAA42WK5F	
					PART NO. 172238	