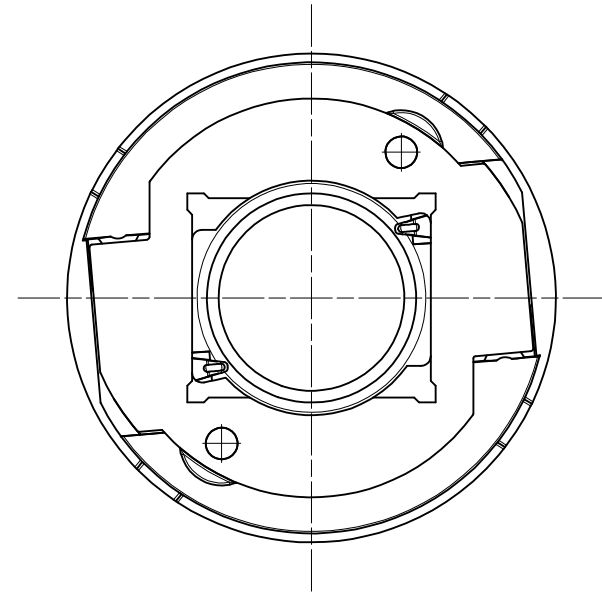
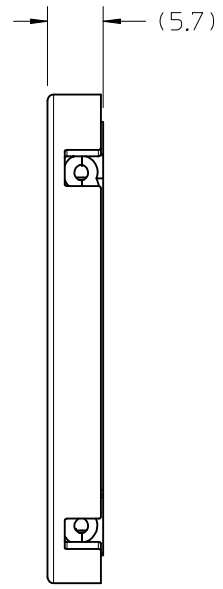
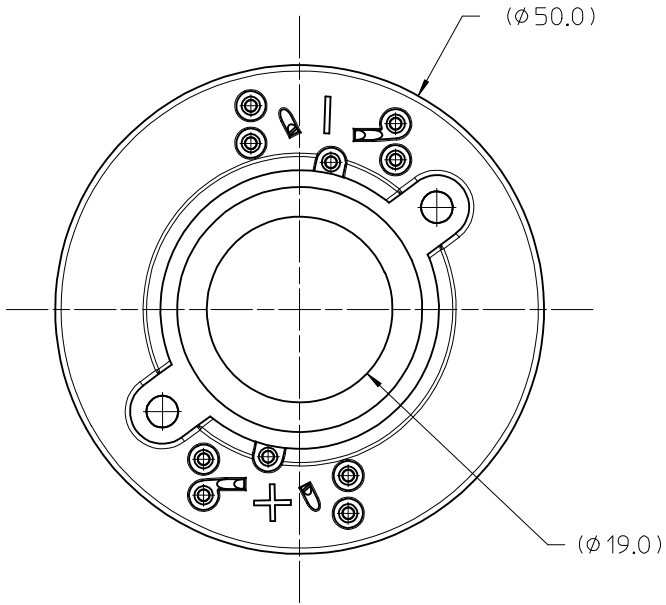


10 9 8 7 6 5 4 3 2 1



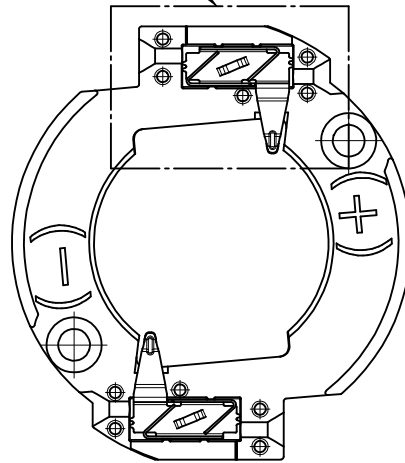
- NOTES:
- MATERIALS: COVER: POLYESTER (PBT) GF UL94V-0, COLOR WHITE; HOUSING: NYLON (PA66) GF UL94V-0, COLOR NATURAL; TERMINAL: COPPER ALLOY
 - FINISHES: LED CONTACT: GOLD OVER NICKEL, WIRE TRAP: TIN OVER NICKEL
 - PRODUCT SPECIFICATION: PS-180330-003
 - PACKGING SPECIFICATION: PK-180336-103
 - APPLICATION SPECIFICATION: AS-180328-001
 - APPLICABLE WIRE GAUGE - 18, 20, AND 22 AWG
 - TINNED SOLID WIRE IS PREFERRED
 - FOR STRANDED WIRE, PRE-TINNED IS RECOMMENDED
 - 10 mm +2/-0 mm STRIP LENGTH IS RECOMMENDED
 - THIS PRODUCT IS ELV AND ROHS COMPLIANT.
 - ALL DIMENSIONS IN PARENTHESIS (XX.XX) ARE FOR REFERENCE ONLY.
 - UL:0LFB2 UL496 FILE: E345583.

ENTER DESCRIPTION EC NO: SSL2017-0012 DR:MIŁAZAB, JANOVSKI 2016/08/16 CHKD: APPR: GMEYER 2016/09/21	QUALITY SYMBOLS $\nabla F/0$ $\nabla F/0$ $\nabla F/0$	GENERAL TOLERANCES (UNLESS SPECIFIED) <table border="1"> <thead> <tr> <th></th> <th>mm</th> <th>INCH</th> </tr> </thead> <tbody> <tr> <td>4 PLACES</td> <td>±---</td> <td>±---</td> </tr> <tr> <td>3 PLACES</td> <td>±---</td> <td>±---</td> </tr> <tr> <td>2 PLACES</td> <td>±0.13</td> <td>±---</td> </tr> <tr> <td>1 PLACE</td> <td>±0.25</td> <td>±---</td> </tr> <tr> <td colspan="3">ANGULAR ±1/2°</td> </tr> </tbody> </table>		mm	INCH	4 PLACES	±---	±---	3 PLACES	±---	±---	2 PLACES	±0.13	±---	1 PLACE	±0.25	±---	ANGULAR ±1/2°			DIMENSION STYLE MM ONLY DRAWN BY: MDEVITO DATE: 2012/02/10 CHECKED BY: MCOLE DATE: 2014/03/05 APPROVED BY: DMCGOWAN DATE: 2012/04/26	SCALE: 2:1 DESIGN UNITS: METRIC THIRD ANGLE PROJECTION	TITLE: COB LED HOLDER-ZHAGA 24.0MM X 20.0MM RECTANGULAR COB
		mm	INCH																				
	4 PLACES	±---	±---																				
	3 PLACES	±---	±---																				
2 PLACES	±0.13	±---																					
1 PLACE	±0.25	±---																					
ANGULAR ±1/2°																							
DRAFT WHERE APPLICABLE MUST REMAIN WITHIN DIMENSIONS	MATERIAL NO.: 1803300003 SIZE: B	DOCUMENT NO.: SD-180330-003	SHEET NO.: 1 OF 3																				
THIS DRAWING CONTAINS INFORMATION THAT IS PROPRIETARY TO MOLEX INCORPORATED AND SHOULD NOT BE USED WITHOUT WRITTEN PERMISSION																							

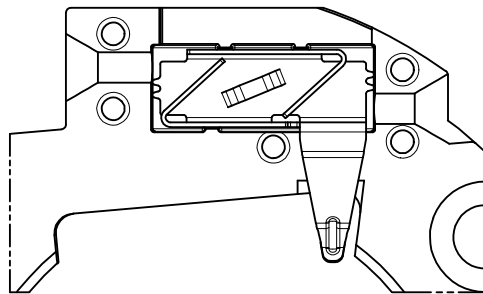
9 8 7 6 5 4 3 2 1

10 9 8 7 6 5 4 3 2 1

SEE DETAIL A



COVER REMOVED FROM FRONT VIEW FOR CLARITY



DETAIL A
Scale 4:1

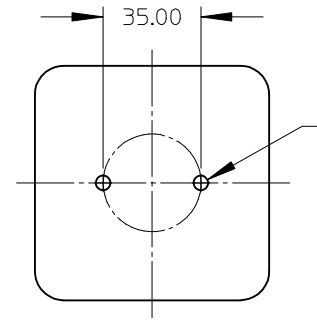
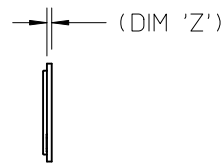
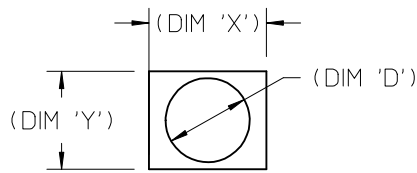
VIEW OF TWO-WAY WIRE TRAP

WIRE TRAPS WILL ACCOMODATE
EITHER 18, 20, OR 22 GAUGE WIRE

ENTER DESCRIPTION EC NO: SSL2017-0012 DRWNL:ZAB,JANOVSKI 2016/08/16 CHKD: APPR:GMEYER 2016/09/21 REV	QUALITY SYMBOLS	GENERAL TOLERANCES (UNLESS SPECIFIED)		DIMENSION STYLE		SCALE	DESIGN UNITS	THIRD ANGLE PROJECTION		
	$\nabla F=0$ $\nabla F=0$ $\nabla F=0$	mm	INCH	MM ONLY		2:1	METRIC			
		4 PLACES	± ---	± ---	DRAWN BY	DATE	TITLE COB LED HOLDER-ZHAGA 24.0MM X 20.0MM RECTANGULAR COB			
		3 PLACES	± ---	± ---	MDEVITO	2012/02/10				
2 PLACES	± 0.13	± ---	CHECKED BY	DATE	MOLEX INCORPORATED DOCUMENT NO. SD-180330-003 SHEET NO. 2 OF 3					
1 PLACE	± 0.25	± ---	MCOLE	2014/03/05						
		ANGULAR ±1/2°		APPROVED BY	DATE					
		DRAFT WHERE APPLICABLE MUST REMAIN WITHIN DIMENSIONS		DMCGOWAN	2012/04/26					
				MATERIAL NO.						
				1803300003						
				SIZE B						
		THIS DRAWING CONTAINS INFORMATION THAT IS PROPRIETARY TO MOLEX INCORPORATED AND SHOULD NOT BE USED WITHOUT WRITTEN PERMISSION								

9 8 7 6 5 4 3 2 1

COB MFG.	TYPE	DIM. 'X'	DIM. 'Y'	DIM. 'Z'	DIM. 'D'
SHARP	MEGA ZENIGATA	24.0	20.0	1.0	17.2
LUMILEDS	LUXEON 1204	24.0	20.0	1.0	15.5
LUMILEDS	LUXEON 1205	24.0	20.0	1.0	15.5
LUMILEDS	LUXEON 1208	24.0	20.0	1.0	17.5
EVERLIGHT	EAHP2024W**	24.0	20.0	1.0	17.5



M3 OR 4-40 TAPPED HOLES (2)
 TORQUE: CERAMIC 0.20 N-M MIN TO 0.40 N-M MAX
 ALUMINUM 0.40 N-M MIN TO 0.80 N-M MAX

COB LED
 SCALE 1:1

RECOMMENDED MOUNTING DIMENSIONS
 (NOT TO SCALE)

ENTER DESCRIPTION EC NO: SSL2017-0012 (J)DRMHLZABJANOVSKI 2016/08/16 CHKD: APPR:GMEYER 2016/09/21	QUALITY SYMBOLS	GENERAL TOLERANCES (UNLESS SPECIFIED)	DIMENSION STYLE	SCALE	DESIGN UNITS	THIRD ANGLE PROJECTION	
	$\nabla = 0$ $\nabla = 0$ $\nabla = 0$	mm	MM ONLY	2:1	METRIC	COB LED HOLDER-ZHAGA 24.0MM X 20.0MM RECTANGULAR COB molex	
		INCH					
		4 PLACES ± --- ± --- 3 PLACES ± --- ± --- 2 PLACES ± 0.13 ± --- 1 PLACE ± 0.25 ± --- 0 PLACE ± --- ± ---					
ANGULAR ± 1/2° DRAFT WHERE APPLICABLE MUST REMAIN WITHIN DIMENSIONS			DRAWN BY DATE MDEVITO 2012/02/10 CHECKED BY DATE MCOLE 2014/03/05 APPROVED BY DATE DMCGOWAN 2012/04/26	TITLE COB LED HOLDER-ZHAGA 24.0MM X 20.0MM RECTANGULAR COB	MATERIAL NO. 1803300003	DOCUMENT NO. SD-180330-003	SHEET NO. 3 OF 3
C3 Rev. G 2012/01/11			SIZE B	THIS DRAWING CONTAINS INFORMATION THAT IS PROPRIETARY TO MOLEX INCORPORATED AND SHOULD NOT BE USED WITHOUT WRITTEN PERMISSION			