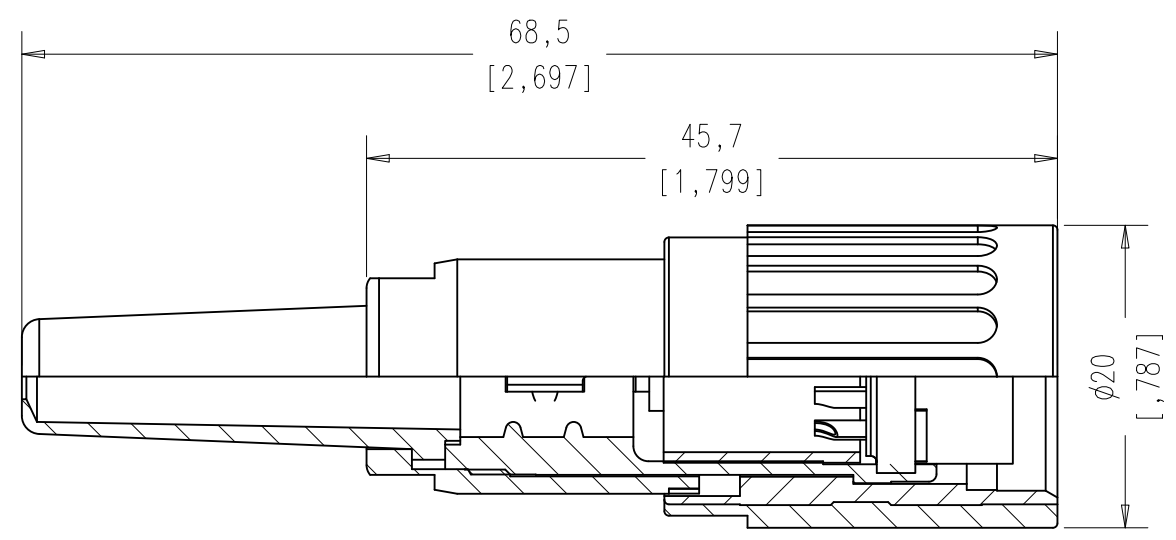
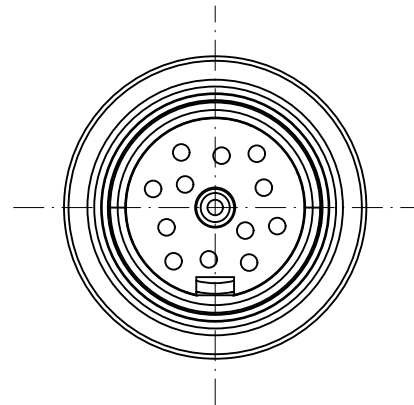


Copying of this document and giving it to others and the use or communication of the contents thereof, are forbidden without express authority. Offenders are liable to the payment of damages. All rights are reserved in the event of the grant of a patent or the registration of the utility model or design.



| | | | |
|---|--|-------------------------------------|--|
| D | Polzahl number of contacts | Norm standard | 12 |
| | Kontaktanordnung nach DIN contact arrangement acc. to DIN | | - |
| | Kontaktanordnung nach IEC contact arrangement acc. to IEC | | - |
| | Bemessungsspannung rated voltage | IEC 60664-1 | 150V (DC/AC) |
| | Bemessungsspannung rated voltage | UL 1977 | 60V |
| | Bemessungs-Stoßspannung rated impulse withstand voltage | IEC 60664-1 | 1200V |
| | Verschmutzungsgrad pollution degree | IEC 60664-1 | 1 |
| | Überspannungskategorie installation category | IEC 60664-1 | I |
| C | Isolierstoffgruppe insulation group | IEC 60664-1 | II, 400 ≤ CTI < 600 |
| | Strombelastbarkeit current rating | IEC 60512-5-2 Test 5b UL 1977 | 3A / +40°C / +104°F |
| | Isolationswiderstand insulation resistance | IEC 60512-3-1 Test 3a | >10 ¹⁰ Ω |
| | Durchgangswiderstand contact resistance | IEC 60512-2-1 Test 2a | < 5m Ω |
| | Prüfklasse climatic category | IEC 60668-1 | 40/100/56 |
| | Temperaturbereich temperatur range | | - 40°C ... +100°C - 40°F ... +212°F |
| B | IP-Schutzart IP-degree | IEC 60529 | IP 40 |
| | Steck- und Ziehkraft insertion and withdrawal force | IEC 60512-13-2 Test 13b | 50 N |
| | Mechanische Lebensdauer mechanical operation | IEC 60512 Test 9a | silber/silver ≥ 500 Steckzyklen/mating cycles |
| | Werkstoff Gehäuse housing material | | coupling ring brass, strain relief, die cast, nickel plated |
| | Werkstoff Kontaktträger dielectric material | | thermoplastic |
| | Werkstoff Dichtung sealing material | | neoprene |
| | Kontaktoberfläche contact plating | | silver plated |
| | Anschlussstechnik termination technique | | solder |
| A | Anschlussquerschnitt wire gauge | | < 0,25 mm ² |
| | Brennbarkeit flammability | | UL 94 V0 |
| | Verriegelung locking system | IEC 60130-9 | Schrauben; Anzugsmoment 0,5-0,7 Nm metal screw coupling; tightening torque 0,5-0,7 Nm |

All technical data have been measured in a laboratory environment and can be different during practical usage of the product. Any product information is for descriptive usage only and not legally binding; particularly the information does not constitute or provide any legal guarantees (*Beschaffenheitsgarantie* or *Haltbarkeitsgarantie*)

Do not connect or disconnect under load. Metal housing parts shall be securely incorporated to protected ground. Parts according to directive 2002/95/EG (RoHS)

| | | | | | | | | |
|---------------------------------|----------------------|-----------------------|------------|---------------------|--|----|--|-------------|
| Gewicht (errechnet)/ Calc WT: | 9 | Zul. Abw./Tolerances: | | Maßstab/Scale | 2:1 | A3 | | |
| Prüfmaß/Test dimension | | DIN/ISO 13715 | | CUSTOMER DRAWING | | | | |
| Teileindex Part index number | | | | | | | | |
| | | 13 | Datum/Date | Name | kabeldose gerade female cable connector | | | |
| | | Gez. | 14.10. | Jerry | | | | |
| | | Drawn | | | | | | |
| | | Gepr. | | | | | | |
| | | Checked | | | Amphenol-Tuchel Electronics GmbH | | | Blatt/Sheet |
| | | | | | | | | M |
| 01 | 201300012 | 14.10.13 | JZ | Ers. f./Similar to: | | | | 1 Bl. |
| Index | Änderung/Description | Datum/Date | Name | | | | | |

Weitergabe sowie Vervielfältigung dieser Unterlage, Verwertung und Mitteilung ihres Inhalts nicht gestattet, soweit nicht ausdrücklich zugestanden. Zuwiderhandlungen verpflichten zu Schadenersatz. Alle Rechte für den Fall der Patenterteilung oder Gebrauchsmuster-Eintragung vorbehalten.