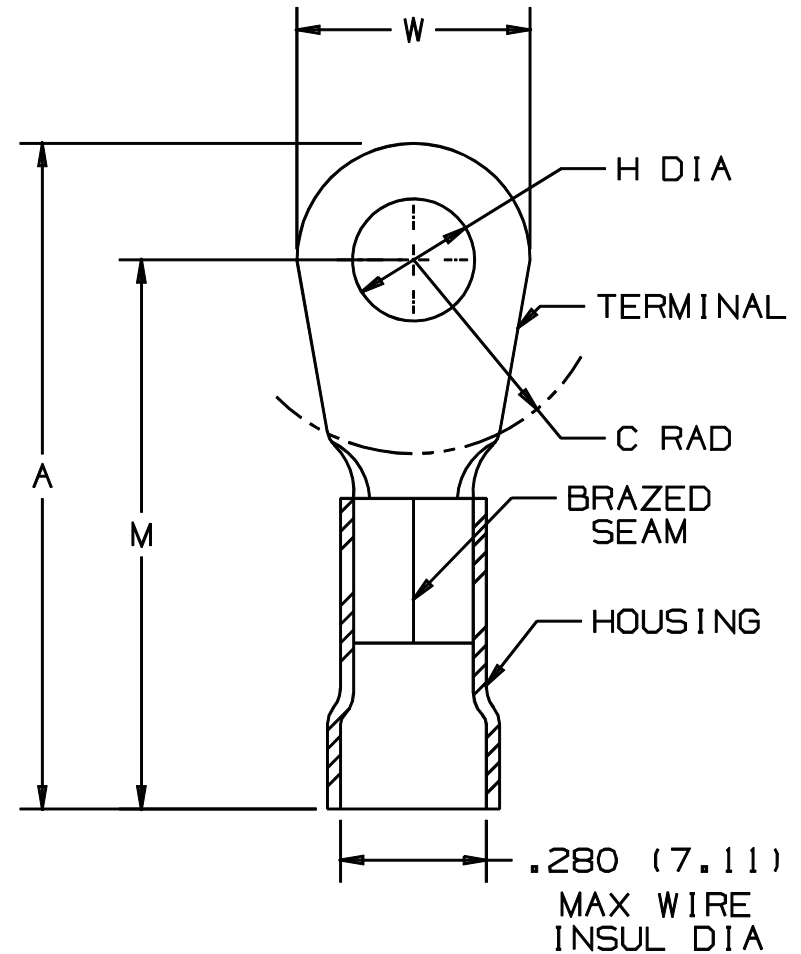


THIS COPY IS PROVIDED ON A RESTRICTED BASIS AND IS NOT TO BE USED IN ANY WAY DETRIMENTAL TO THE INTERESTS OF PANDUIT CORP.

PANDUIT PART NUMBER	STUD SIZE	DIMENSIONS in.				
		A $\pm .03$	W $\pm .01$	C $\pm .02$	M $\pm .03$	H $\pm .01$
PV8-8R	#8	1.51 (38.35)	.42 (10.67)	.43 (10.92)	1.29 (32.77)	.18 (4.57)
PV8-10R	#10	1.53 (38.86)	.47 (11.94)	.43 (10.92)	1.29 (32.77)	.20 (5.08)
PV8-14R	1/4"	1.53 (38.86)	.47 (11.94)	.43 (10.92)	1.29 (32.77)	.27 (6.86)
PV8-56R	5/16"	1.64 (41.66)	.59 (14.99)	.49 (12.45)	1.34 (34.04)	.33 (8.38)
PV8-38R	3/8"	1.64 (41.66)	.59 (14.99)	.51 (12.95)	1.34 (34.04)	.40 (10.16)
PV8-12R	1/2"	1.74 (44.20)	.82 (20.83)	.54 (13.72)	1.34 (34.04)	.52 (13.21)




NOTES:

- UL LISTED FOR:
 - 600V MAX VOLTAGE RATING
 - 221° F (105° C) MAX TEMP RATING
 - #8 AWG STRANDED COPPER WIRE
- PACKAGE QTY: STD. PKG. -0=25
BULK PKG. -T=200
- MATERIAL:
 - STAMPING - .040" (1.02) THK COPPER, TIN PLATED
 - HOUSING - VINYL, RED
- DIMENSIONS IN BRACKETS ARE IN MILLIMETERS
- INSTALLATION TOOL: CT-720
- WIRE STRIP LENGTH: 3/8 $\pm 1/32$ (9.5 $\pm .8$)


 LISTED
 587H
 E52164

A41219_04

04	1/01	KMD		CAD FILE SPEC. WAS N41219AA_PCD_03						 PANDUIT CORP. TINLEY PARK, ILLINOIS #8 BARREL VINYL INSULATED RING TONGUE .280 (7.11) MAX. WIRE INSUL. DIAMETER	
03	10/94	TH		UPDATED NOTES AND DIMENSIONS	02558						
02	7-88	DW		REDRAWN WITH REVISIONS							
REV	DATE	BY	CHK	DESCRIPTION	ECN #	CUST	PM	DRAWN BY DAW	CHK'D	SCALE NONE	DRAWING NO. A41219