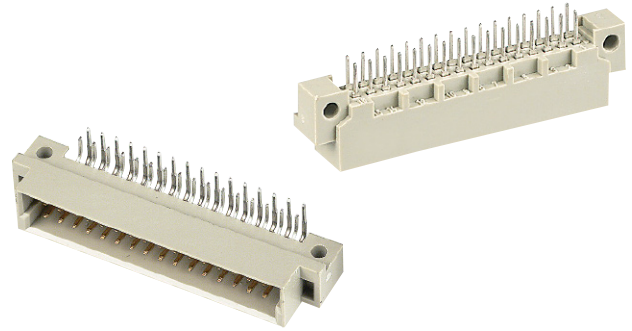


Number of contacts

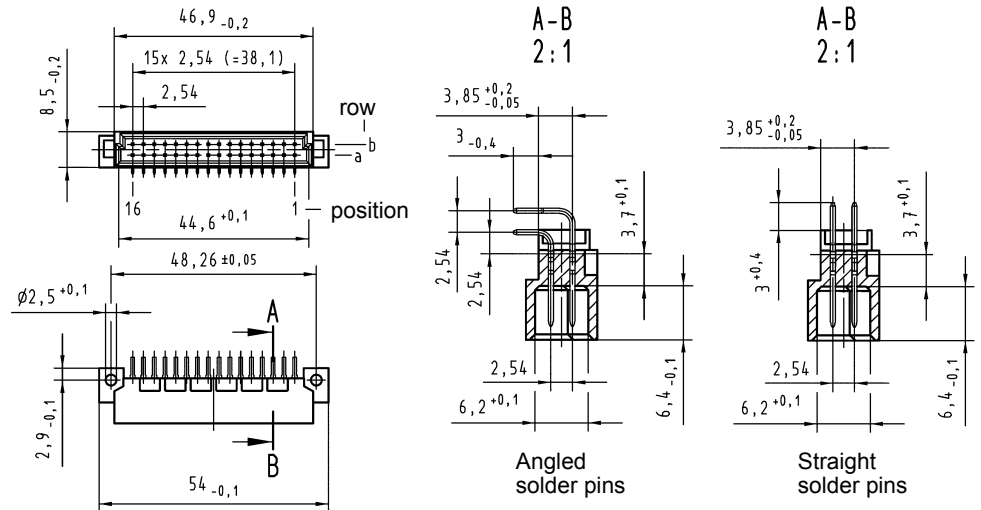
32, 16



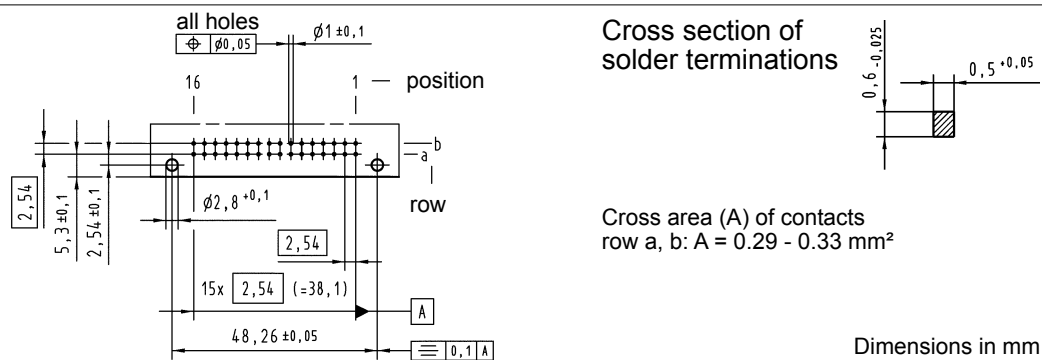
Male connectors

Identification	No. of contacts	Contact arrangement	Part number	Performance levels according to IEC 60603-2. Explanation chapter 00		
				3	2	1
Male connector with angled solder pins	32		09 22 132 7921	09 22 132 6921 09 22 132 6921 222 ^{f)} 09 22 332 6921 ^{b)}	09 22 132 2921	
	16		09 22 132 7922	09 22 132 6922	09 22 132 2922	
30 + 2 [▲]			09 22 132 6951			
Male connector with straight solder pins	32		09 22 132 7922	09 22 132 6922	09 22 132 2922	
	30 + 2 [▲]			09 22 132 6918 ^{d)}		

Dimensions



Board drillings
Mounting side



▲ Male connectors with 2 leading contacts [(0.8 mm) pos. a1 and a16]. Lagging pins on request.

b) Connectors with snap-in clips see chapter 00

d) CTI > 400

f) Railway classification NFF 16-101, Smoke index: F1, Flammability class: I2

Other contact arrangements on request