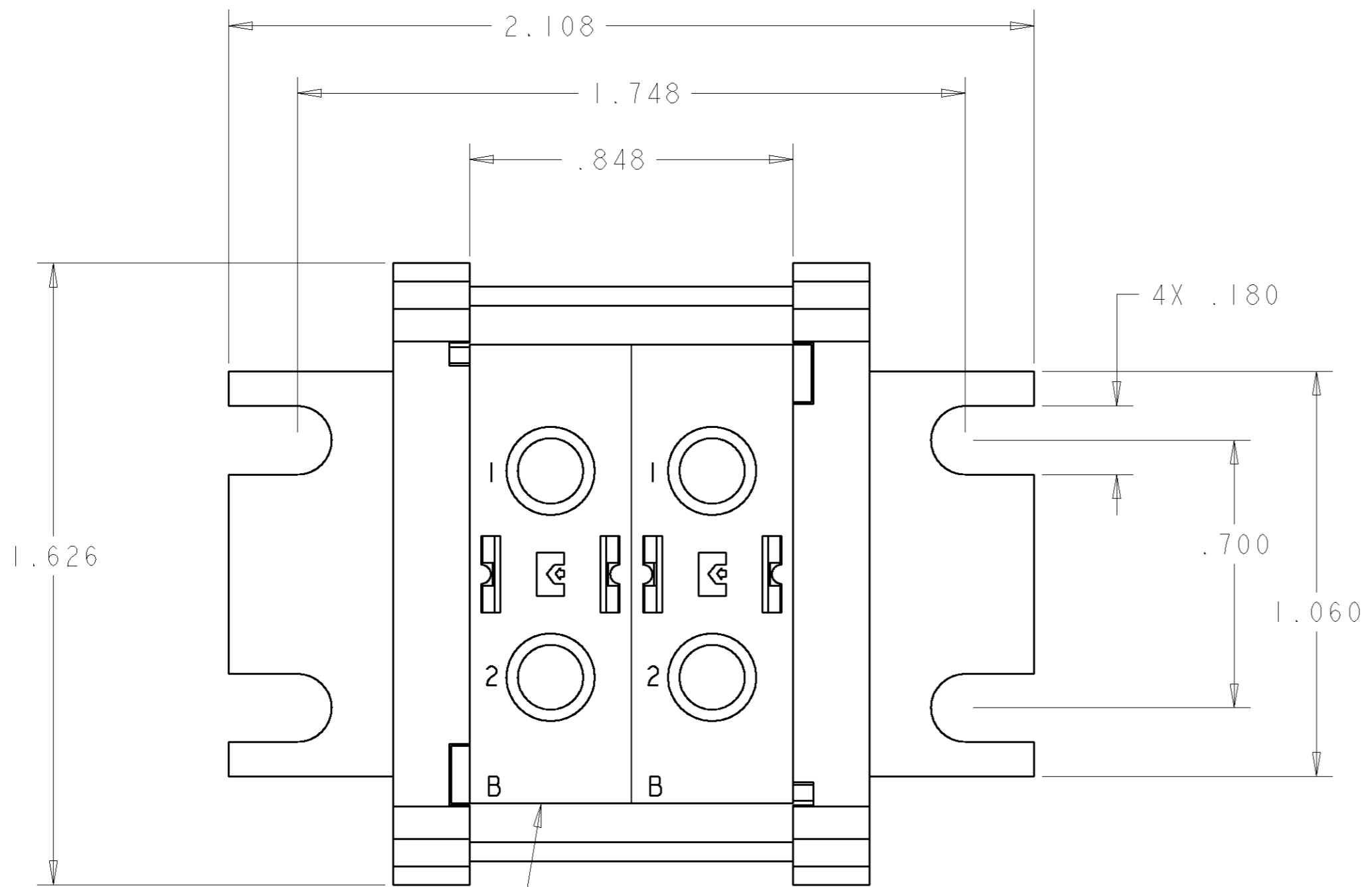


THIS DRAWING IS UNPUBLISHED. RELEASED FOR PUBLICATION 20
 © COPYRIGHT 20 BY TYCO ELECTRONICS CORPORATION. ALL RIGHTS RESERVED.

LOC	DIST	REVISIONS					
GP	00	P	LTR	DESCRIPTION	DATE	DWN	APVD
		A		NEW RELEASE	28AUG2007	RG	DO

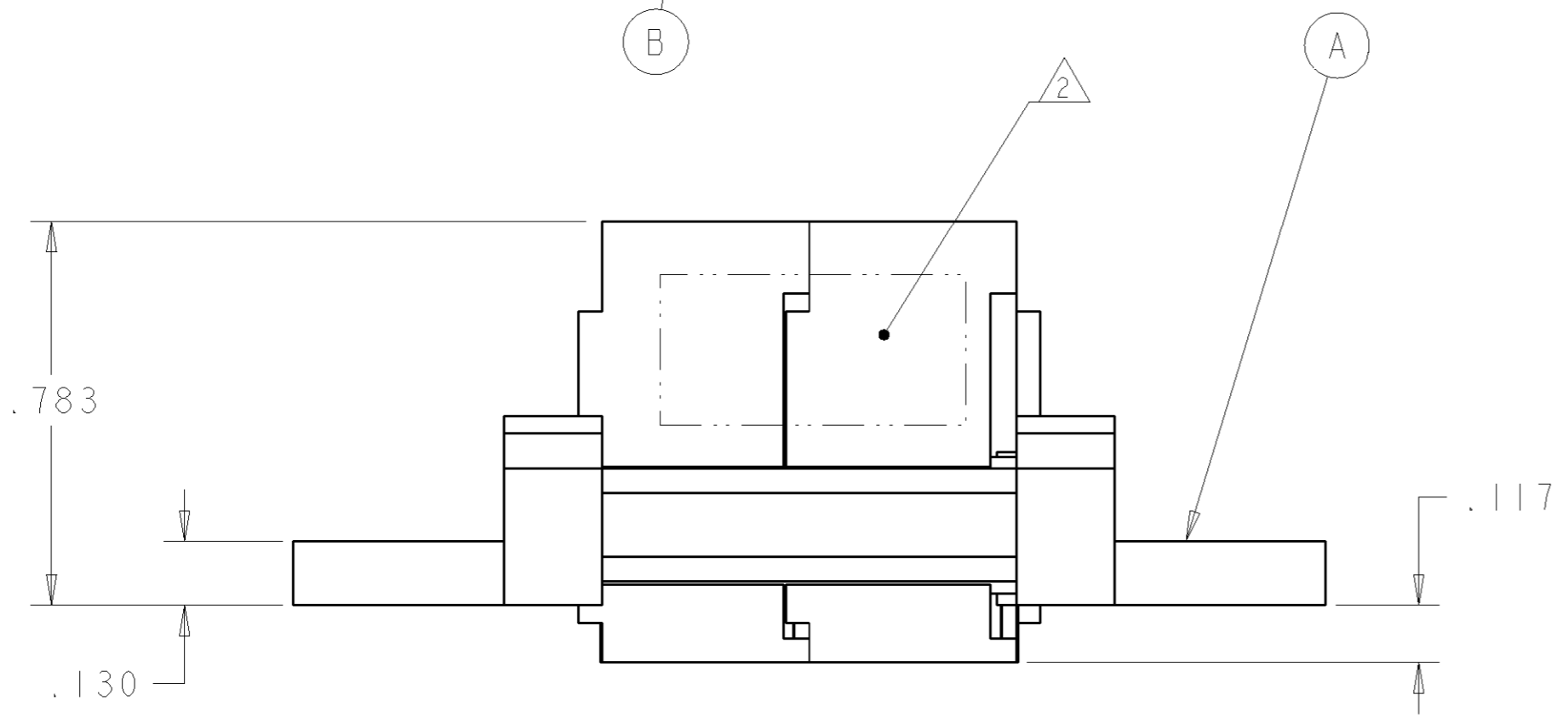


1. PART NUMBER CHANGES AND/OR DESIGN CHANGES AFFECTING ITEM INTERCHANGEABILITY REQUIRE PRIOR TYCO ELECTRONICS APPROVAL AND AUTHORIZATION BY REVISION TO THIS DRAWING.

2. ITEMS PROVIDED TO THIS SPECIFICATION TO BE PERMANENTLY IDENTIFIED PER THE FOLLOWING IDENTIFIER:

TYCO ELECTRONICS P/N DATE CODE (e.g. 0212)
 XXXXXXXX-X XXXX
 YEAR 1 WEEK 1

3. ALL CONTACTS (ITEM C) IN THIS ASSEMBLY ARE CRIMP REMOVABLE STYLE AND WILL BE PACKAGED SEPARATELY AND SHIPPED LOOSE WITH THE CONNECTOR.



QTY	PART NUMBER	DESCRIPTION	ITEM NO.
4	6648317-1	SOCKET CONTACT, SIZE No. 8, CRIMP	C
2	1648467-1	MODULE "B"	B
2	1766826-1	END CAP, PANEL MOUNT	A

THIS DRAWING IS A CONTROLLED DOCUMENT FOR TYCO ELECTRONICS CORPORATION. IT IS SUBJECT TO CHANGE AND THE CONTROLLING ENGINEERING ORGANIZATION SHOULD BE CONTACTED FOR THE LATEST REVISION.		DWN R. GRZYBOWSKI 16AUG2007 CHK D. ORRIS 16AUG2007 APVD S. FLICKINGER 16AUG2007	Tyco Electronics Harrisburg, PA 17105-3608
DIMENSIONS: INCHES 	TOLERANCES UNLESS OTHERWISE SPECIFIED: 0 PLC ± 1 PLC ± 2 PLC ±.032 3 PLC ±.016 4 PLC ± ANGLES ± FINISH	NAME: SOCKET CONNECTOR PANEL MOUNT DOMINO PRODUCT SPEC: - APPLICATION SPEC: - WEIGHT: -	SIZE: A2 CAGE CODE: 00779 DRAWING NO: C-1926589 RESTRICTED TO: -
MATERIAL: -		CUSTOMER DRAWING	
		SCALE: 3:1	SHEET 1 OF 2 REV A

ELCON **DOMINO**

4

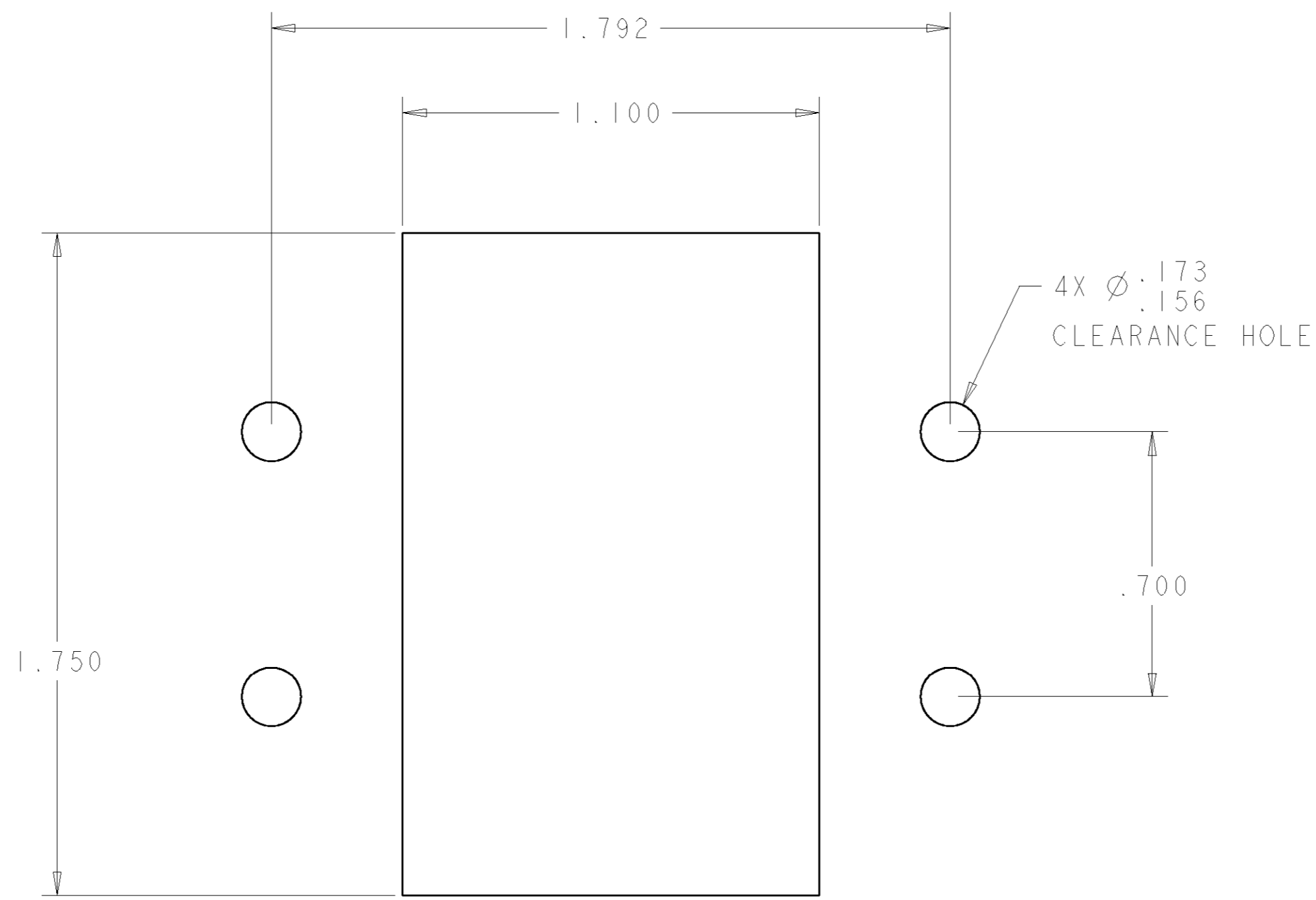
3

2

1

THIS DRAWING IS UNPUBLISHED. RELEASED FOR PUBLICATION 20
 © COPYRIGHT 20 BY TYCO ELECTRONICS CORPORATION. ALL RIGHTS RESERVED.

LOC	DIST	REVISIONS					
GP	00	P	LTR	DESCRIPTION	DATE	DWN	APVD
		-		SEE SHEET 1	-	-	-



SOCKET PANEL MOUNT CUT-OUT
COMPONENT SIDE

<small>THIS DRAWING IS A CONTROLLED DOCUMENT FOR TYCO ELECTRONICS CORPORATION IT IS SUBJECT TO CHANGE AND THE CONTROLLING ENGINEERING ORGANIZATION SHOULD BE CONTACTED FOR THE LATEST REVISION.</small>		DWN 16AUG2007 R. GRZYBOWSKI CHK 16AUG2007 D. ORRIS APVD 16AUG2007 S. FLICKINGER	Tyco Electronics Harrisburg, PA 17105-3608
DIMENSIONS: INCHES	TOLERANCES UNLESS OTHERWISE SPECIFIED: 0 PLC ± 1 PLC ± 2 PLC ±.032 3 PLC ±.016 4 PLC ± ANGLES ± FINISH	PRODUCT SPEC - APPLICATION SPEC - WEIGHT - CUSTOMER DRAWING	NAME SOCKET CONNECTOR PANEL MOUNT DOMINO SIZE CAGE CODE DRAWING NO RESTRICTED TO A200779C-1926589 - SCALE 3:1 SHEET 2 OF 2 REV A