

THIS DRAWING IS UNPUBLISHED. RELEASED FOR PUBLICATION
 © COPYRIGHT BY TYCO ELECTRONICS CORPORATION. ALL RIGHTS RESERVED.

LOC	DIST	REVISIONS			
P	LTR	DESCRIPTION	DATE	DWN	APVD
AD	00	A	DRAWING CREATED	12DEC05	MKC

MATERIALS		
COMPONENT NAME	BASE MATERIAL	FINISH
HOUSING	PBT, UL94 V-0, GRAY	
FRAME	BRASS	TIN
LEVER	BRASS	NICKEL
MOVABLE CONTACT	PHOSPHOR BRONZE	GOLD OVER NICKEL
TERMINAL (CONTACT AREA)	PHOSPHOR BRONZE	GOLD OVER NICKEL
TERMINAL (SOLDER AREA)	PHOSPHOR BRONZE	GOLD OVER NICKEL

NOTES:

1. TERMINAL NUMBERS ARE FOR REFERENCE ONLY AND DO NOT APPEAR ON SWITCHES.
2. ALL MATERIALS AND FINISHES SHALL COMPLY WITH EU DIRECTIVE 2003/95/EC OF 27JAN2003 (ROHS)
3. SWITCHES ARE SEALED AND ABLE TO WITHSTAND SOLDER WASH OPERATION.

SPECIFICATIONS	
CURRENT RATING, MAX.	50mA @ 48 VDC OR PEAK AC (2.4VA)
CURRENT RATING, MIN.	1µA @ 20 VDC OR PEAK AC (.02VA)
TERMINATION RESISTANCE	50 MILLIOHMS MAX AT 1.5mA 200µVAC
INSULATION RESISTANCE	500 MEGOHMS MIN @ 250 VDC
DIELECTRIC WITHSTANDING VOLTAGE	500 VAC FOR 1 MINUTE
OPERATING TEMPERATURE	-20°C to +85°C
STORAGE TEMPERATURE	-40°C to +85°C
ELECTRICAL LIFE	
50mA @ 48 VDC OR PEAK AC	10,000 CYCLES
1µA @ 20 VDC OR PEAK AC	50,000 CYCLES (MAINTAINED), 30,000 CYCLES (MOMENTARY)
.4VA MAX @ 20 VDC OR PEAK AC	50,000 CYCLES (MAINTAINED), 30,000 CYCLES (MOMENTARY)

2-3,5-6	OFF	2-1,5-4	(ON) OFF (ON)	RA	2	2	ALCO ATE2G LOT NO.	ATE2GGRA104	1825184-6
2-3,5-6	---	2-1,5-4	ON ON	RA	2	2	ALCO ATE2D LOT NO.	ATE2DGRA104	1825184-5
2-3	OFF	2-1	(ON) OFF (ON)	RA	2	1	ALCO ATE1G LOT NO.	ATE1GGRA104	1825184-4
2-3	---	2-1	ON (ON)	RA	2	1	ALCO ATE1F LOT NO.	ATE1FGRA104	1825184-3
2-3	OFF	2-1	ON OFF ON	RA	2	1	ALCO ATE1E LOT NO.	ATE1EGRA104	1825184-2
2-3	---	2-1	ON ON	RA	2	1	ALCO ATE1D LOT NO.	ATE1DGRA104	1825184-1
			FUNCTION	TERMINAL	THROWS	POLES	MARKINGS	ALCO P/N	TYCO P/N
CONNECTED TERMINALS									

THIS DRAWING IS A CONTROLLED DOCUMENT.

DWN MOHAN 12DEC05
 CHK -
 APVD -
 NAME -

PRODUCT SPEC -
 APPLICATION SPEC -

SIZE A2 OAGE CODE 00779 DRAWING NO C=1825184 RESTRICTED TO
 SCALE 4:1 SHEET 1 of 2 REV A

tyco Electronics Tyco Electronics Corporation Harrisburg, PA 17105-3608

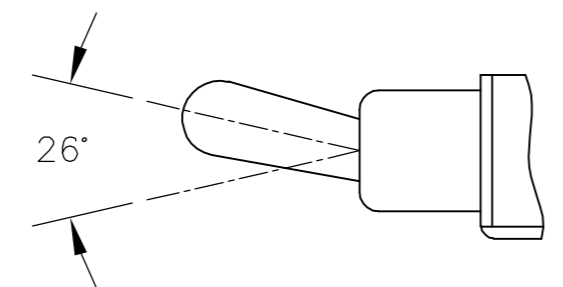
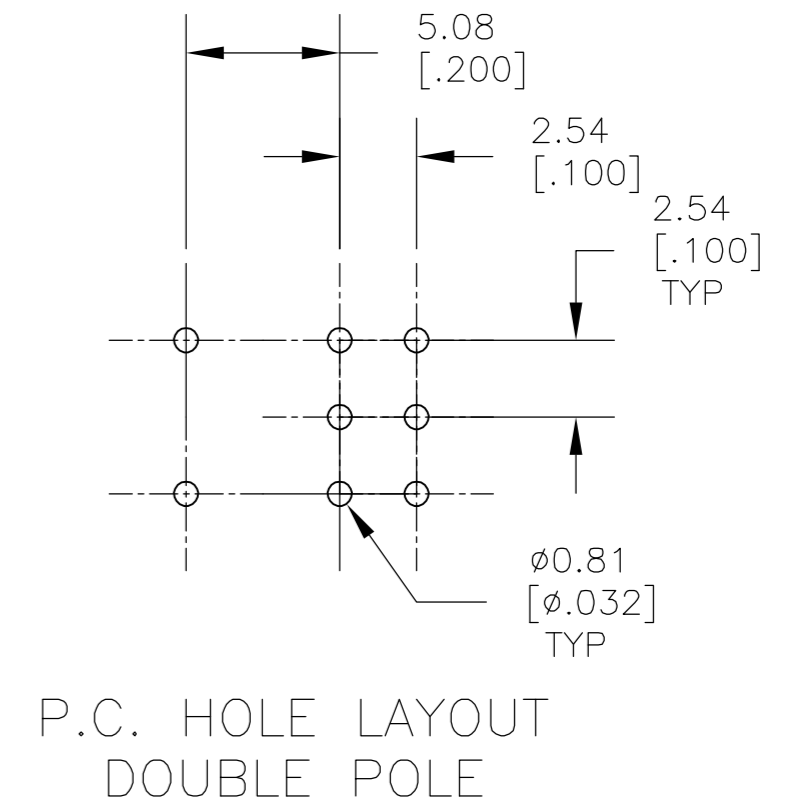
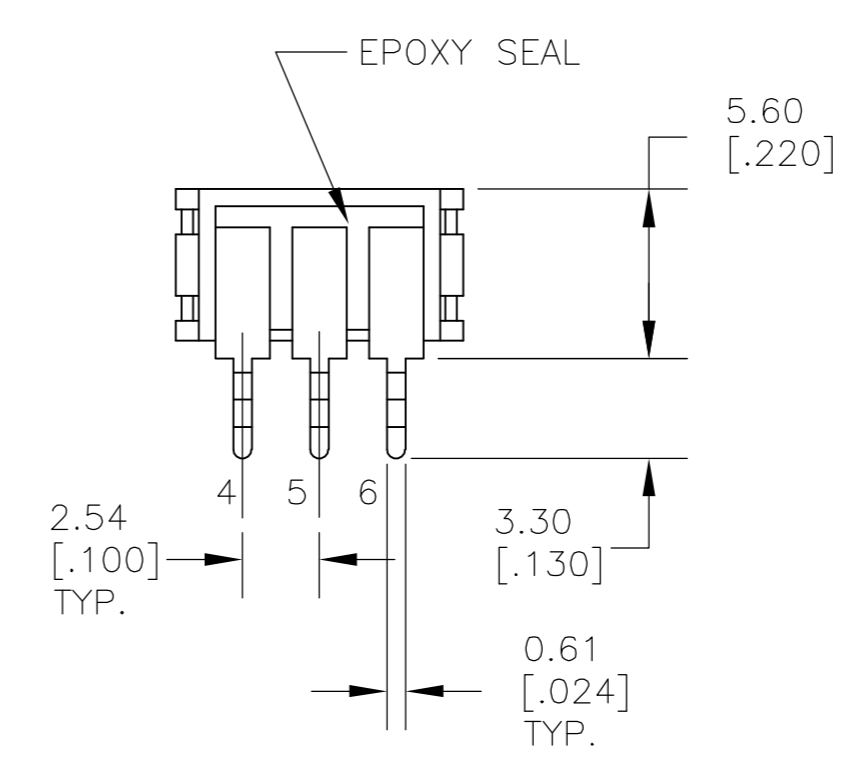
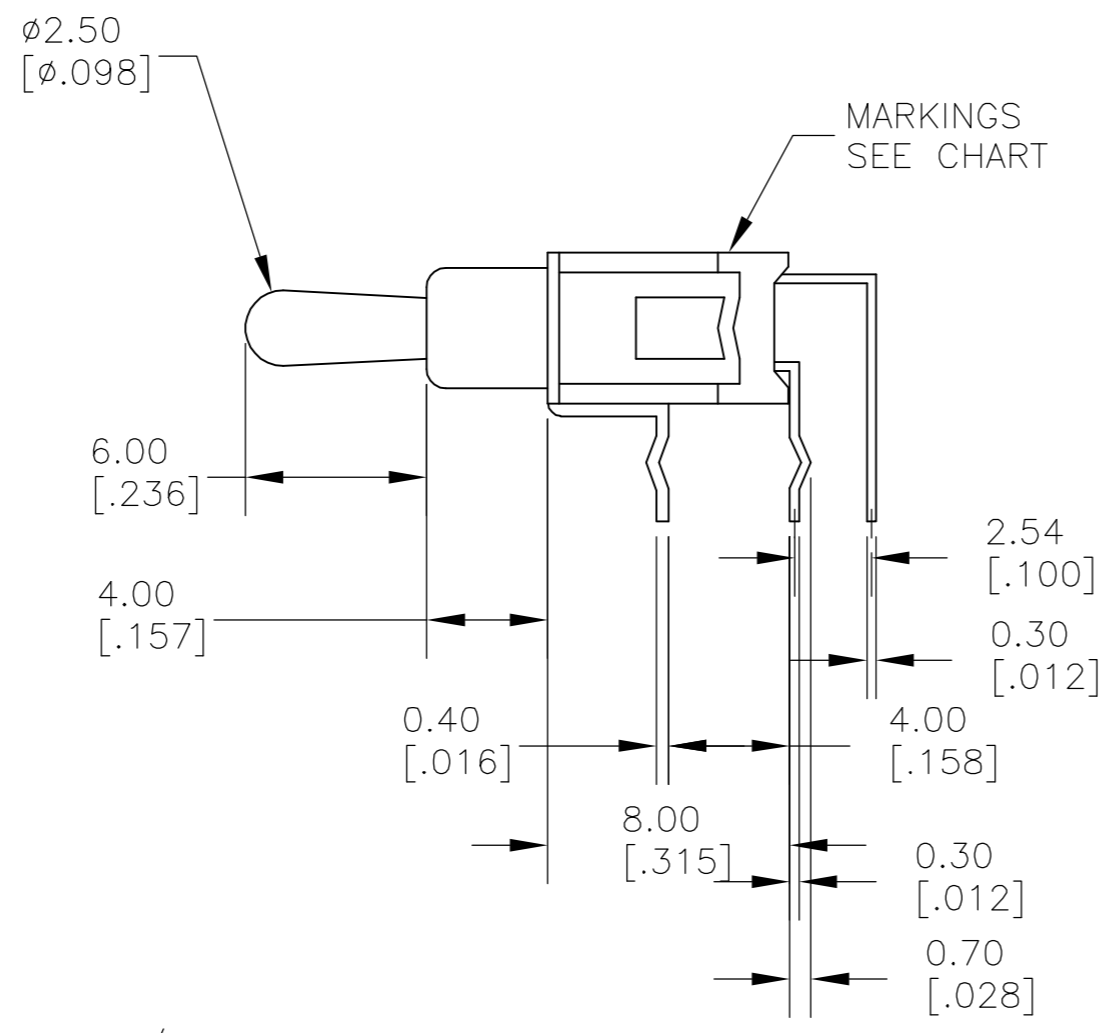
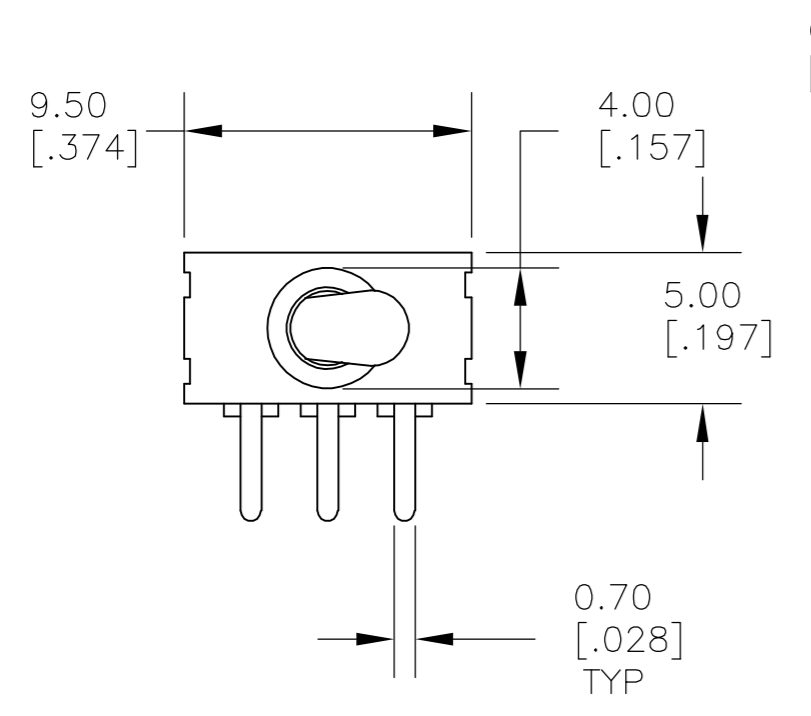
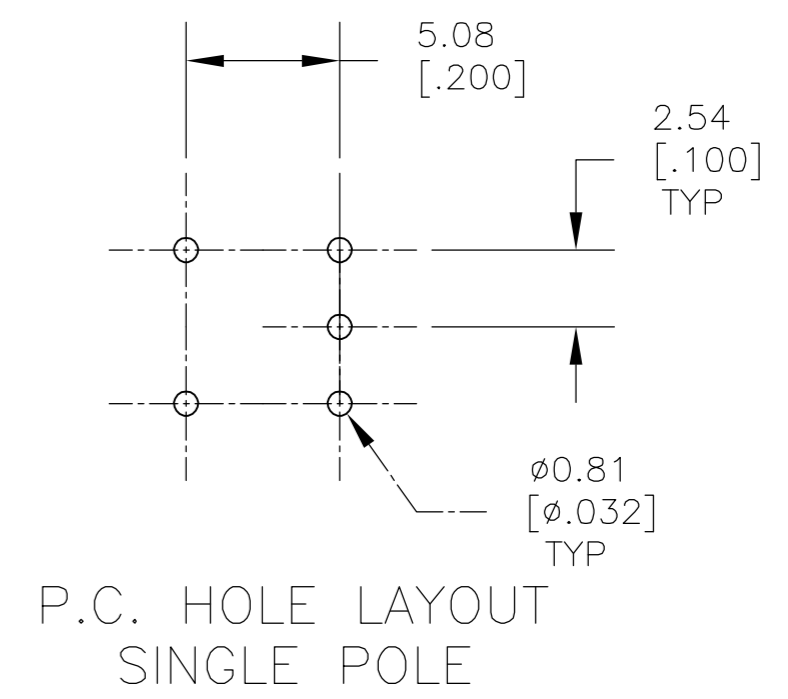
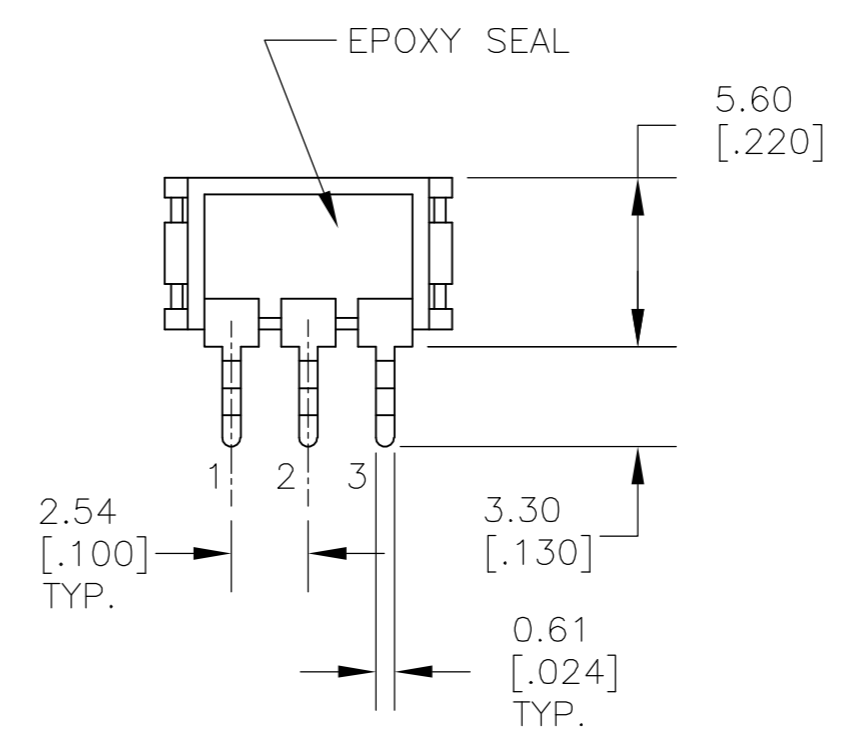
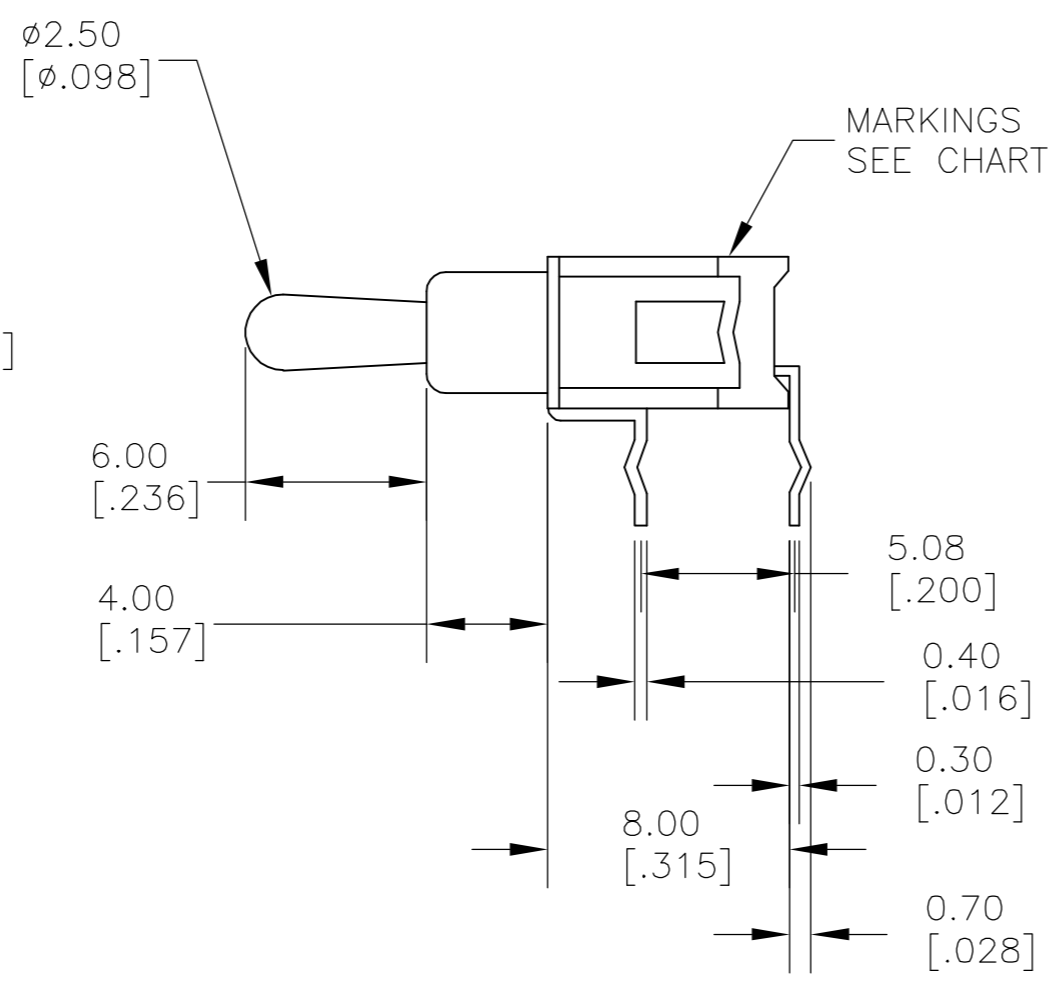
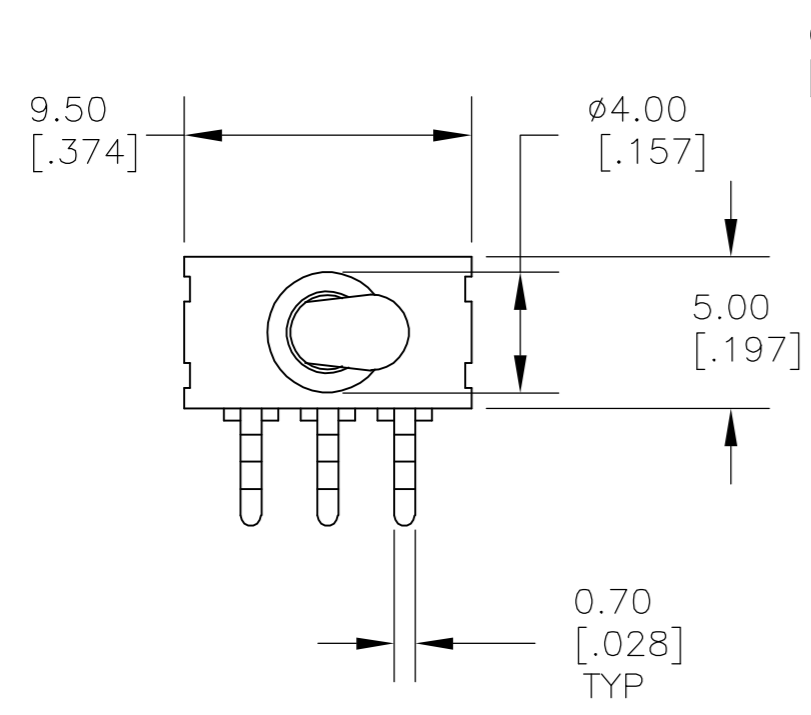
ABSOLUTE NOT the LATEST REVISION

ATE SERIES TOGGLE SWITCH, RA TERMINALS, ROUND ACTUATOR, 1&2 POLE

CUSTOMER DRAWING

THIS DRAWING IS UNPUBLISHED. RELEASED FOR PUBLICATION
 © COPYRIGHT BY TYCO ELECTRONICS CORPORATION. ALL RIGHTS RESERVED.

Loc		DIST		REVISIONS			
P	LTR	DESCRIPTION	DATE	DWN	APVD		
AD	00	SEE SHEET 1	-	-	-		



THIS DRAWING IS A CONTROLLED DOCUMENT.		DWN MOHAN 12DEC05	tyco Tyco Electronics Corporation	
DIMENSIONS: mm [INCHES]		CHK -	Harrisburg, PA 17105-3608	
TOLERANCES UNLESS OTHERWISE SPECIFIED:		APVD -	ATE SERIES TOGGLE SWITCH, RA TERMINALS, ROUND ACTUATOR, 1&2 POLE	
0 PLC ± -		PRODUCT SPEC -	SIZE A2	RESTRICTED TO -
1 PLC ± -		APPLICATION SPEC -	CAGE CODE 00779	DRAWING NO C=1825184
2 PLC ± -		WEIGHT -	SCALE 4:1	SHEET 2 OF 2
3 PLC ± .010		CUSTOMER DRAWING	REV A	
4 PLC ± -				
ANGLES ± 3°				
FINISH -				