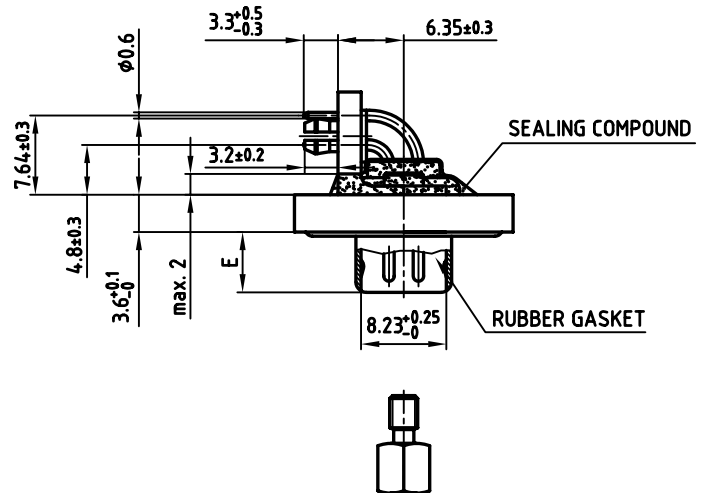
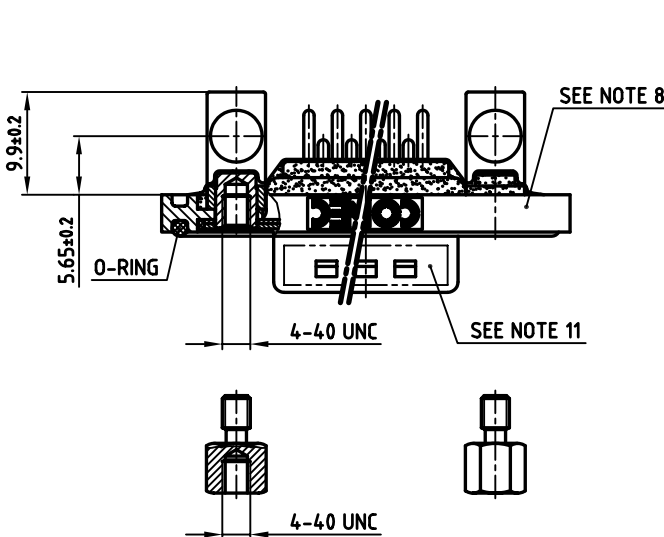
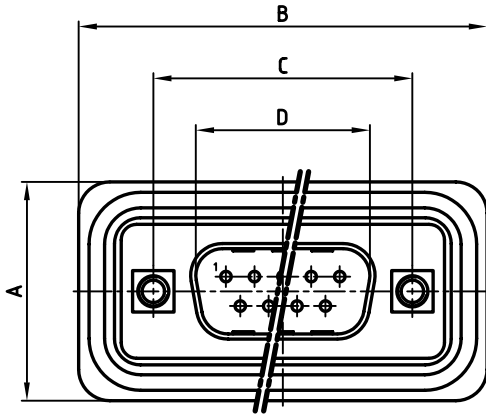


used for: D-SUB

POS.	A ^{+0.2}	B ^{+0.2}	C	D ^{+0.25}	E ^{-0.30}	Part NO.
9	21.1	39.4	25.00 ^{+0.12} _{-0.13}	16.79	5.82	6STD09PAT99S40X
15	21.1	47.7	33.30 ^{+0.15} _{-0.1}	25.12	5.82	6STD15PAT99S40X
25	21.1	61.4	47.04 ±0.13	38.84	5.69	6STD25PAT99S40X
37	21.1	77.9	63.50 ±0.13	55.30	5.69	6STD37PAT99S40X



NOTES:

- METALSHELLS: COPPER ALLOY; min. 315µm TIN over 40-80µm NICKEL
- INSULATORS: PBT GF UL 94 V-0, BLACK
- CONTACTS: COPPER ALLOY
PLATING: 8µm HARD GOLD OVER min. 50µm NICKEL
- METAL BRACKET: ZINC DIE CAST; 30µm COPPER/40-120µm NICKEL/120-200µm TIN
- THREADED INSERT: COPPER ALLOY; min. 200µm TIN over 80µm NICKEL
- PCB-SNAP: COPPER ALLOY; min. 200µm TIN over 80µm NICKEL
PCB-HOLE: $\phi 3.1 \pm 0.1$; PCB THICKNESS 1.6mm
- HEXLOCKING SCREW: STAINLESS STEEL
- FRAME: ZINC DIE CAST; NICKEL PLATED
- P.C.B. HOLE DRILLINGS ON SHEET 2
- MAXIMUM TORQUE VALUE FOR THREAD: 6 in.LB
- CONNECTOR IS PART MARKED: PART-NO. CONEC ABC

Directive 2002/95/EC
"RoHS"
Compliant

APPROVAL # FREIGABE # DEBLOCAGE # AUTORIZACION # APPROVAL	
CUSTOMER APPROVAL DATE:	
NAME:	TITLE:
COMPANY NAME:	
APPROVAL # FREIGABE # DEBLOCAGE # AUTORIZACION # APPROVAL	

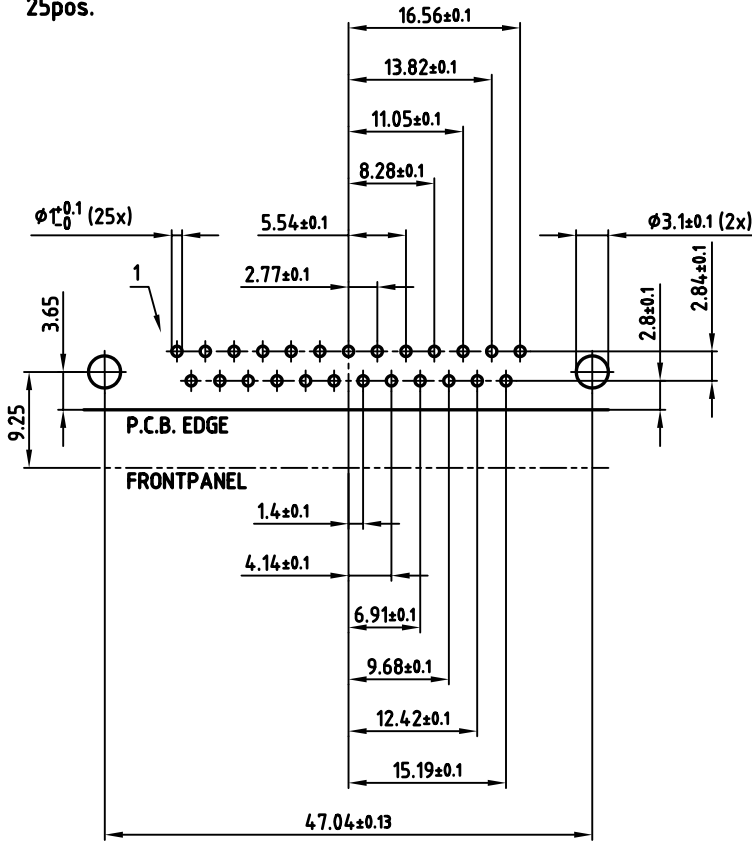
THIS DRAWING MAY NOT BE COPIED OR REPRODUCED IN ANY WAY, AND MAY NOT BE PASSED ON TO A THIRD PARTY, WITHOUT WRITTEN PERMISSION. OWNERSHIP AND COPYRIGHT OF CONEC GmbH DO NOT ALTER CAD DRAWING BY HAND

rev.	description	date	name
a	Origin		

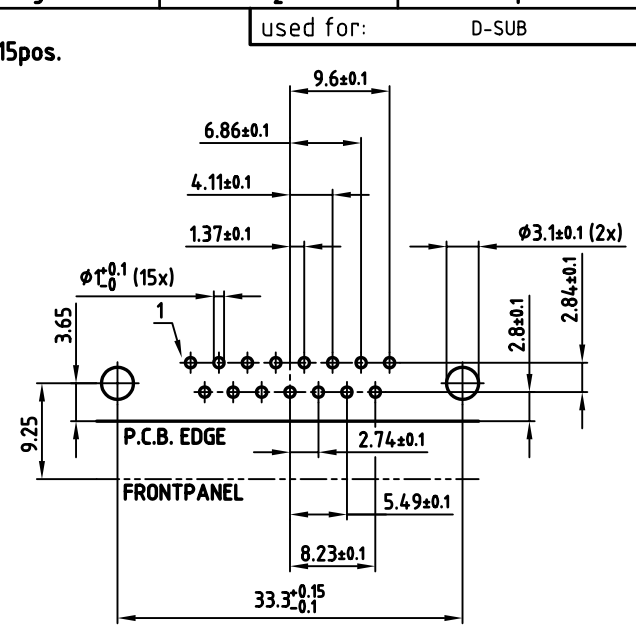
tolerance		scale: 2:1
dim. in mm		material: SEE NOTES
2006	date	name
drawn	31.07.	Lehmenkühler
appd.	31.07.	Kühle
norm	DIN 41652	
d-old		
CONEC		

title:	D-SUB MALE 90° 9-37pos. SOLDER PIN ANGLED with threaded insert, metal bracket and clip
dwg no:	AutoCAD 2006 DIN-A 3 sh:1/2
part no:	18K2A305 SEE TABLE

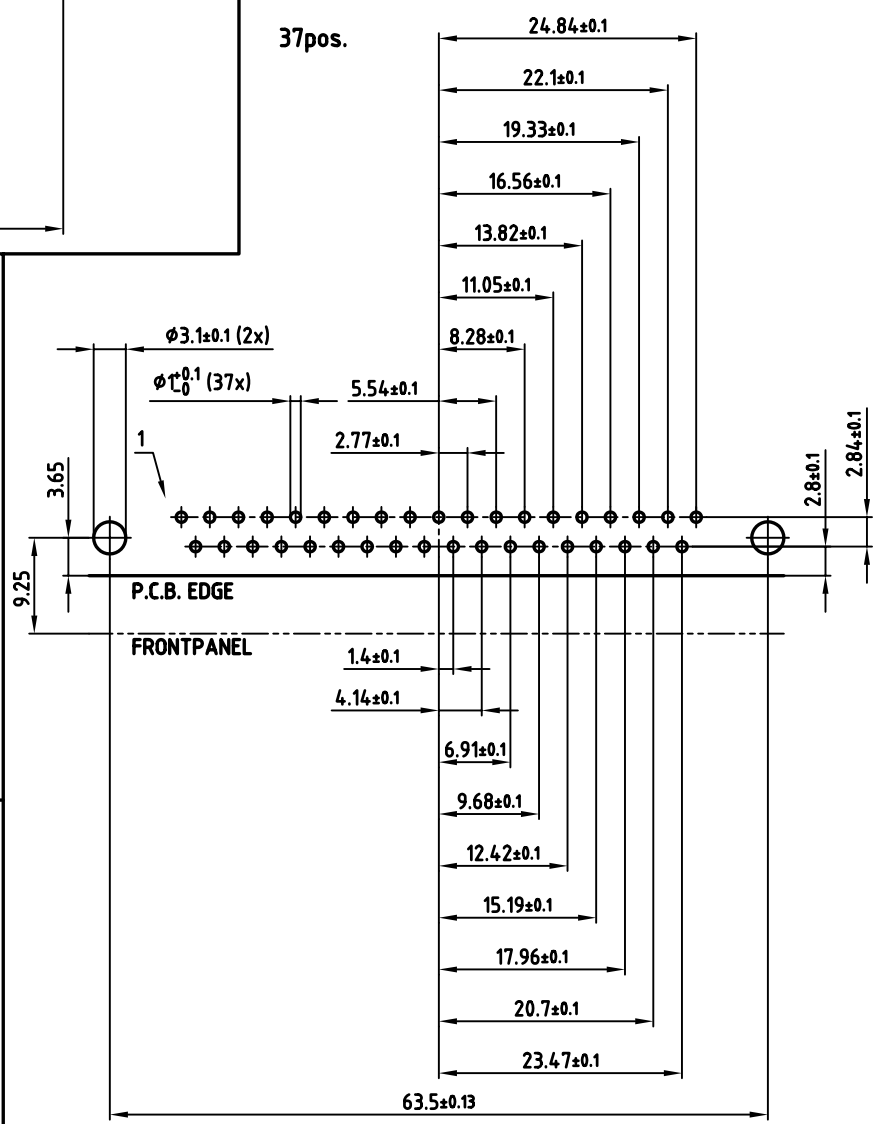
25pos.



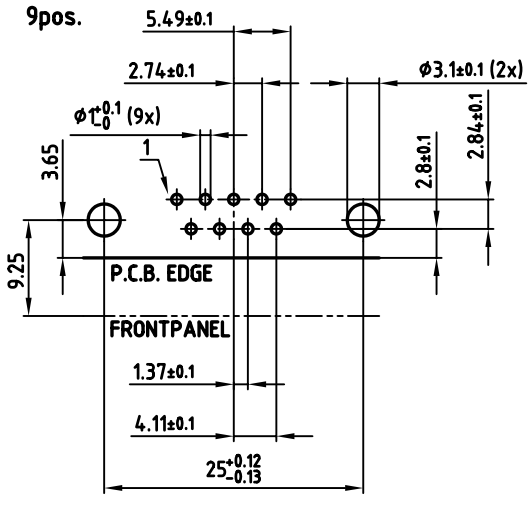
15pos.



37pos.



9pos.



APPROVAL # FREIGABE # DEBLOCAGE # AUTORIZACION # APPROVAL

CUSTOMER APPROVAL DATE:

NAME: TITLE:

COMPANY NAME:

APPROVAL # FREIGABE # DEBLOCAGE # AUTORIZACION # APPROVAL

THIS DRAWING MAY NOT BE COPIED OR REPRODUCED IN ANY WAY, AND MAY NOT BE PASSED ON TO A THIRD PARTY, WITHOUT WRITTEN PERMISSION. OWNERSHIP AND COPYRIGHT OF CONEC GmbH

DO NOT ALTER CAD DRAWING BY HAND

rev.	description	date	name
a	Origin		

tolerance		scale:	2:1
	dim. in mm	material:	SEE SHEET 1
2006	date	name	
drawn	31.07.	Lehmenkühler	
appd.	31.07.	Kühle	
norm	DIN 41652		
d-old			
CONEC			

title:

P.C.B. HOLE DRILLINGS
D-SUB MALE 90° 9-37pos. ANGLED
with threaded insert, metal bracket and clip

dwg no: AutoCAD 2006 DIN-A

18K2A305 3 sh:2/2

part no: SEE SHEET 1