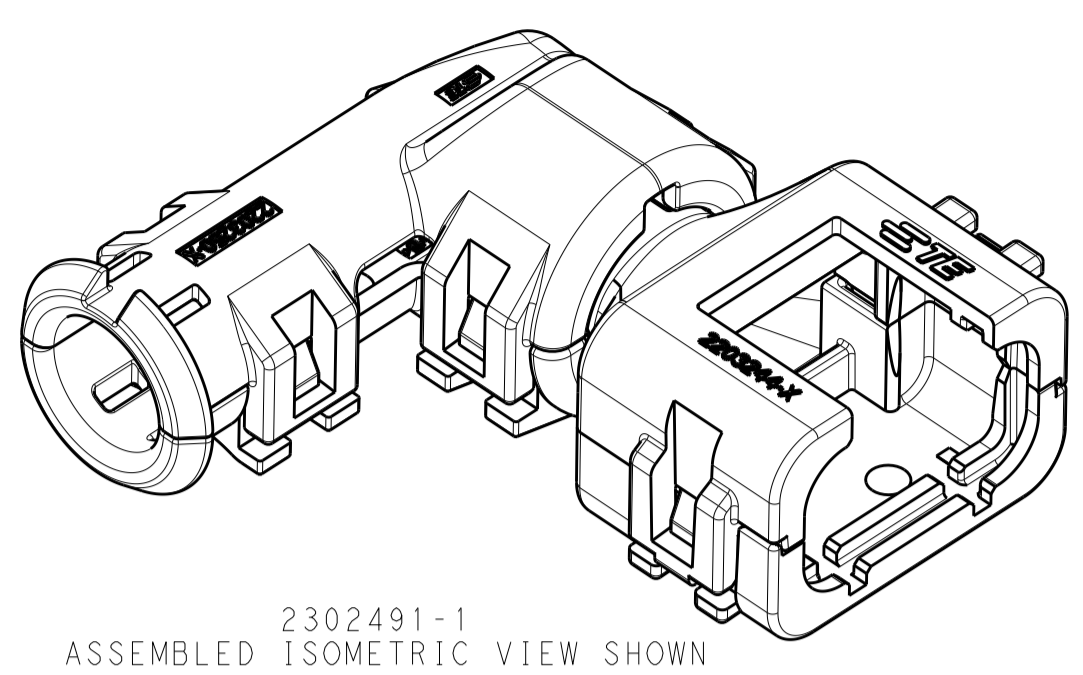
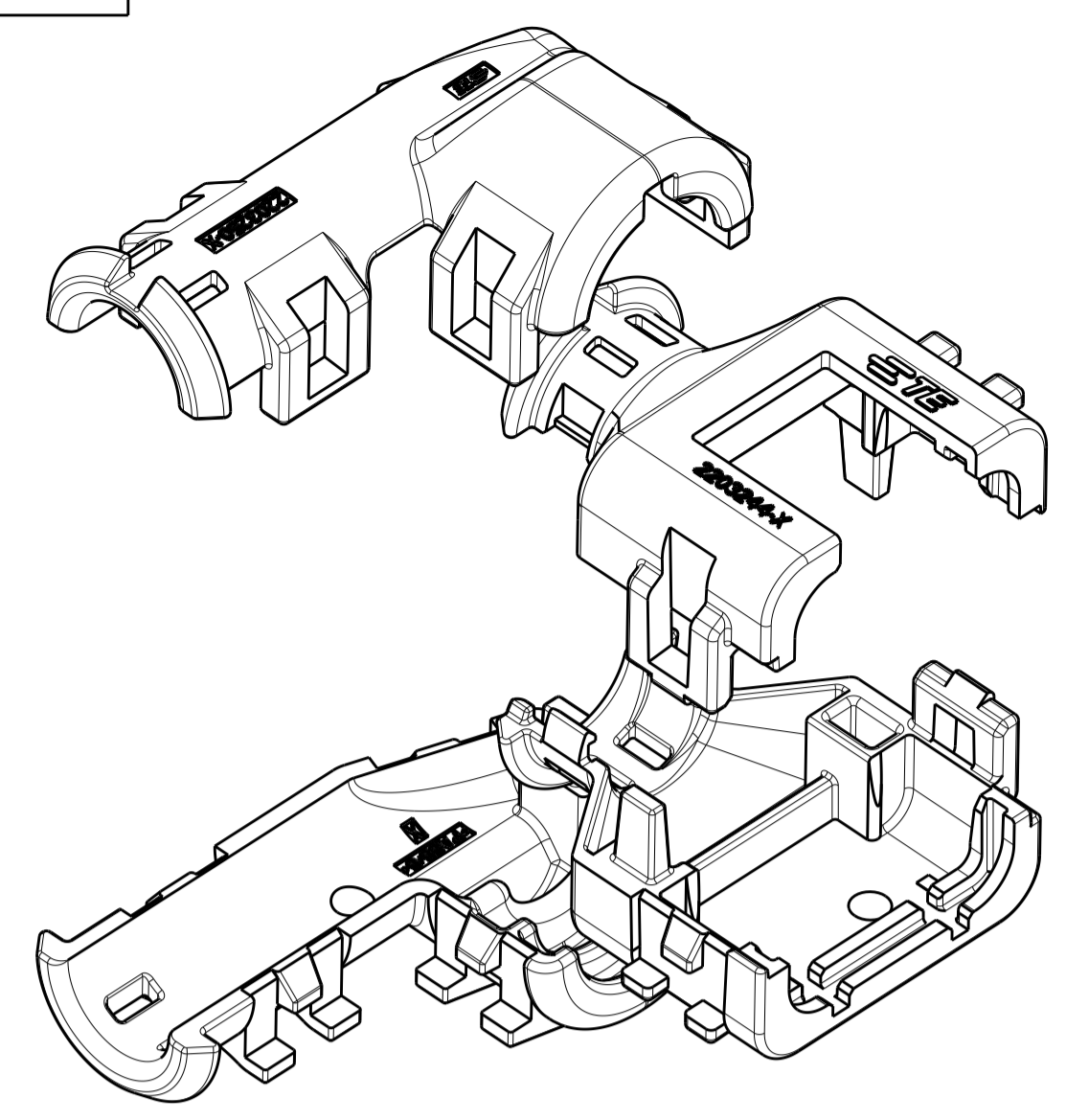


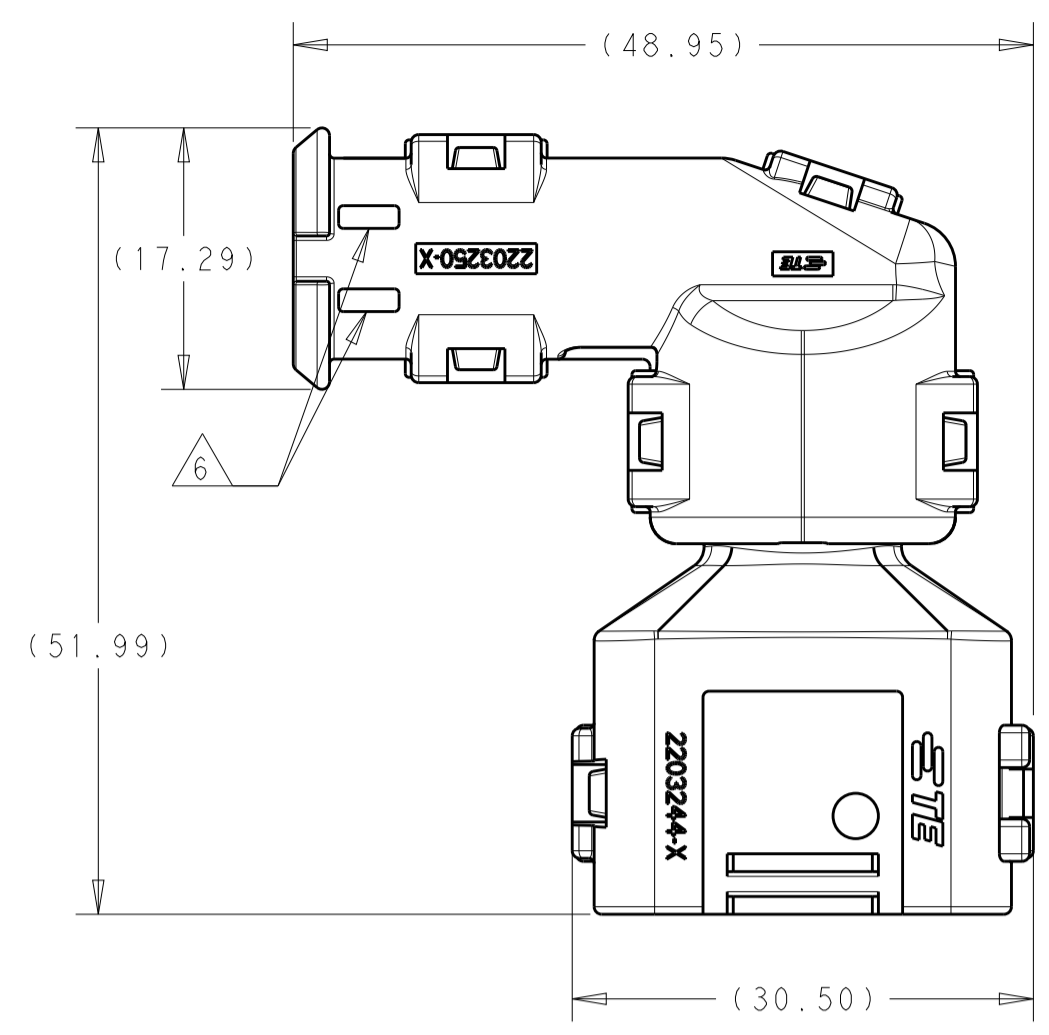
REVISIONS				
P	LTN	DESCRIPTION	DATE	OWN APVD
A		RELEASED PER ECO-16-007279	12MAY2016	JM RB
A2		REV PER ECO-16-013256	08SEP2016	JM RB



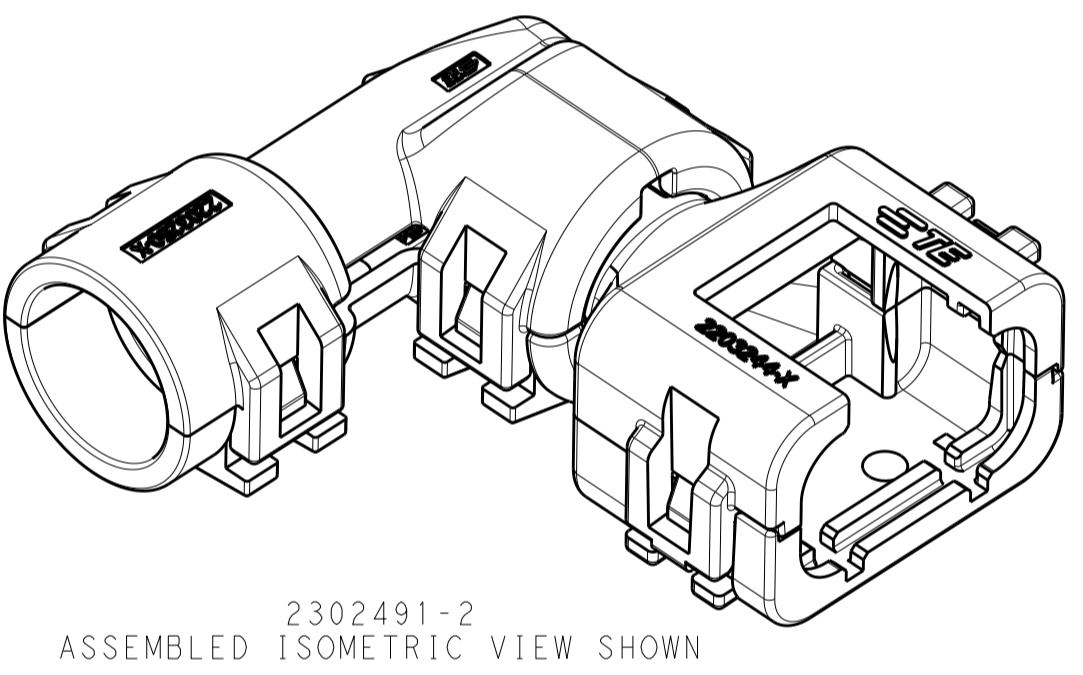
2302491-1
ASSEMBLED ISOMETRIC VIEW SHOWN



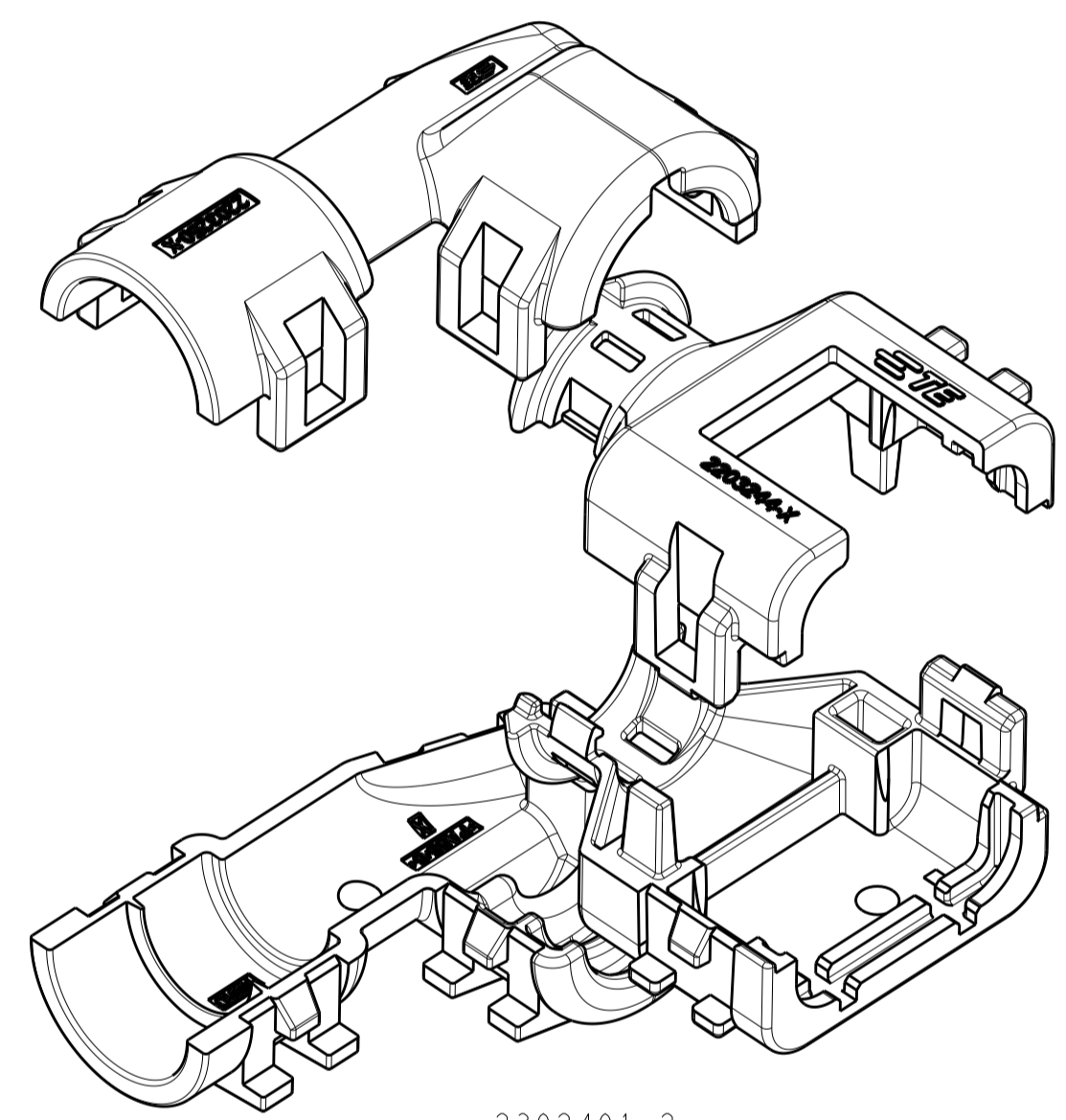
2302491-1
EXPLODED ISOMETRIC VIEW SHOWN



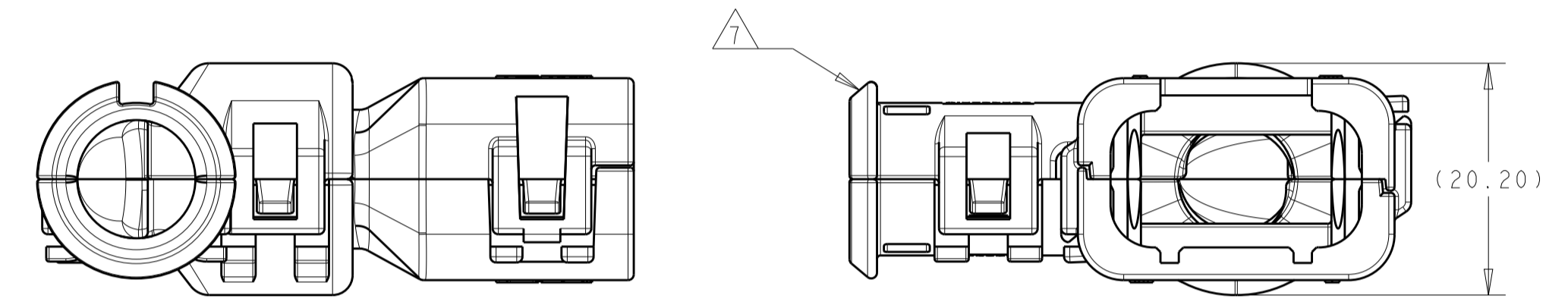
- 1 MATERIAL: NYLON MOLDING COMPOUND, BLACK, PA66/6.
- 2 BACKSHELL DESIGNED SUCH THAT TWO HALVES ATTACH TO ONE ANOTHER AND CLAMP AROUND THE CONNECTOR COVER.
- 3 ELBOW DESIGNED SUCH THAT TWO HALVES ATTACH TO ONE ANOTHER AND CLAMP AROUND THE BACKSHELL COLLAR.
- 4 DIMENSIONS TO BE MEASURED WHEN ELBOWS AND BACKSHELLS ASSEMBLED.
- 5 PRODUCT WEIGHTS:
 2302491-1: 9.70g ASSEMBLED
 2302491-2: 10.35g ASSEMBLED
 2302491-3: 9.80g ASSEMBLED
- 6 4mm WIDE SLOTS FOR TIE WRAP TO SECURE HARNESS WIRES (-1 ONLY).
- 7 HEAT SHRINK TUBING FEATURE (-1 AND -3 ONLY).
- 8. INSTRUCTION SHEET: 408-151043.
- 9. CONDUIT PROFILE: NORMAL ONLY.



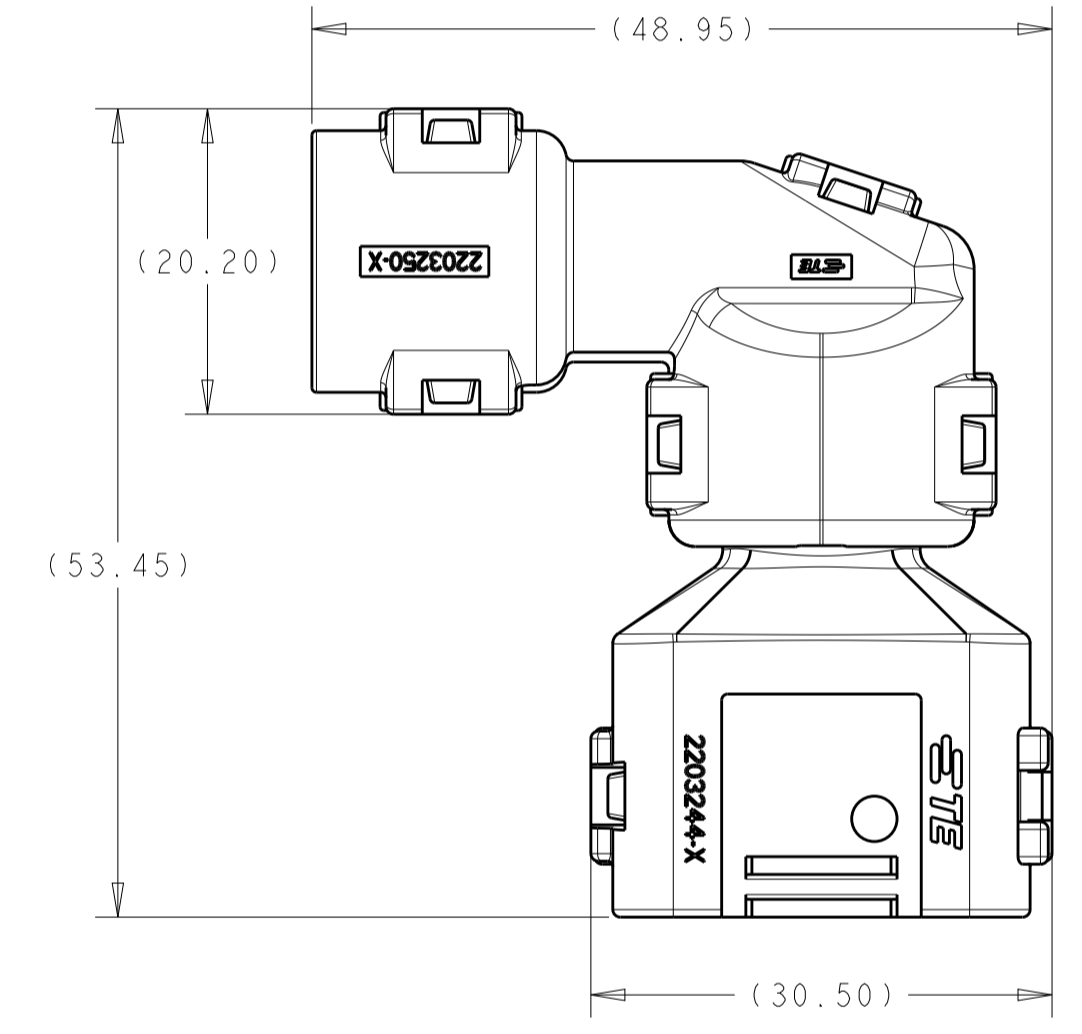
2302491-2
ASSEMBLED ISOMETRIC VIEW SHOWN



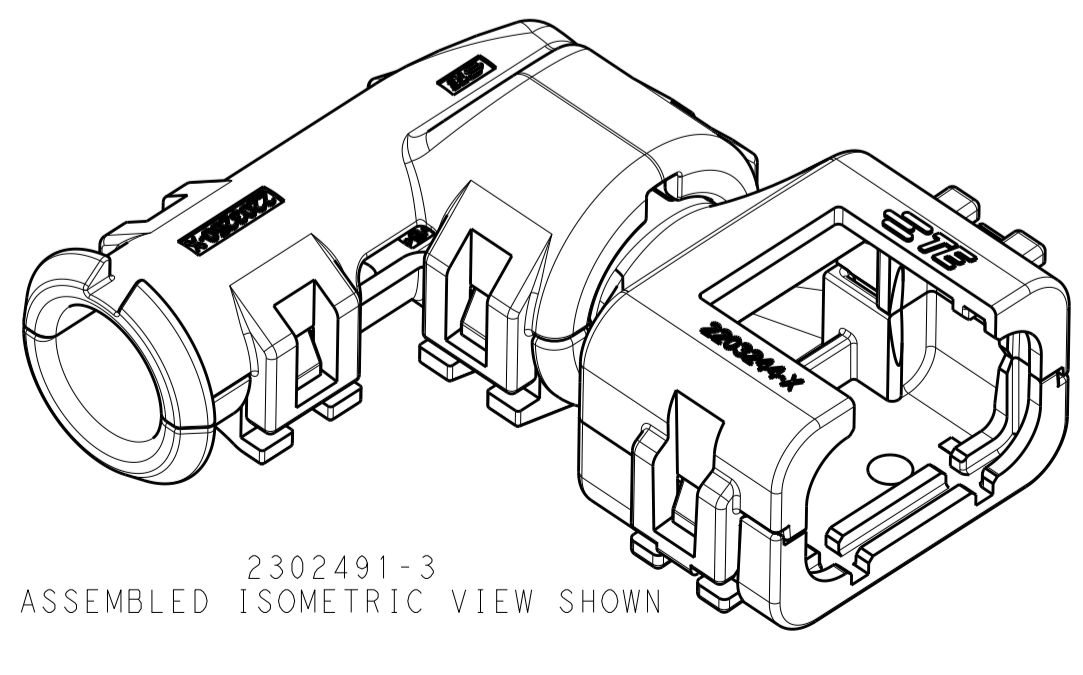
2302491-2
EXPLODED ISOMETRIC VIEW SHOWN



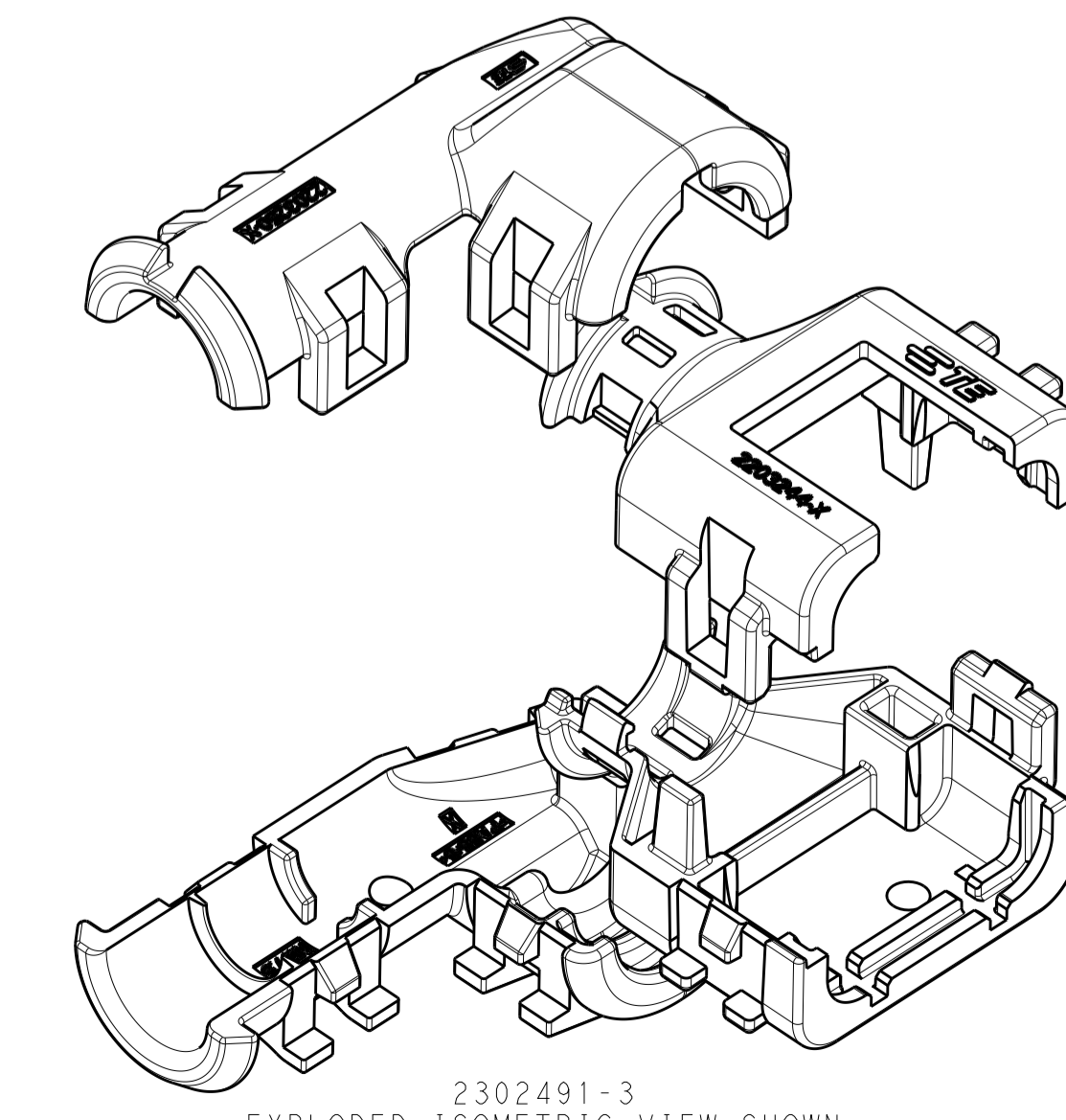
2302491-1
ASSEMBLED VIEW SHOWN
DIMENSIONS SHOWN TYPICAL FOR 2302491-1 AND -3



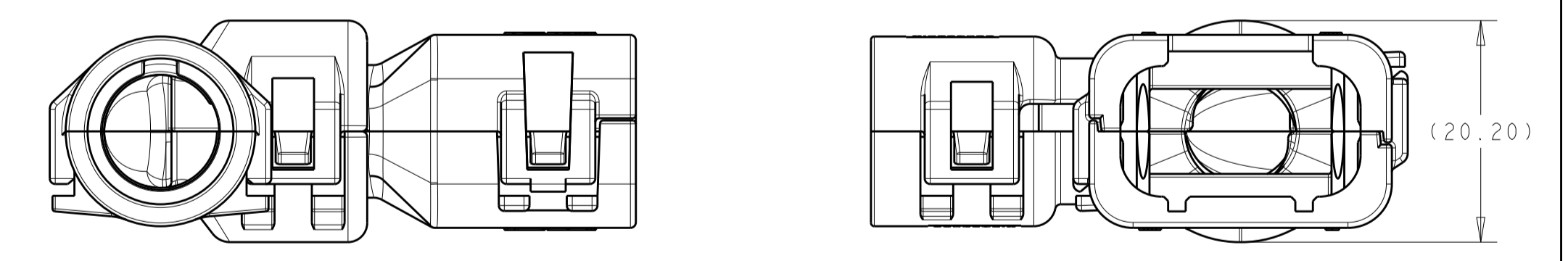
2302491-2
ASSEMBLED VIEW SHOWN
DIMENSIONS SHOWN FOR 2302491-2 ONLY



2302491-3
ASSEMBLED ISOMETRIC VIEW SHOWN



2302491-3
EXPLODED ISOMETRIC VIEW SHOWN



	NC08	NW7.5	2302491-3
776429-X	NC12	NW10	2302491-2
776523-X	SMOOTH	SMOOTH	2302491-1
FITS ON PLUG ASSY	CORRGATE NC	CORRGATE NW	PART NUMBER
	CONDUIT SIZE		

THIS DRAWING IS A CONTROLLED DOCUMENT.		DWN J MCNEAL 13APR2016	TE Connectivity	
DIMENSIONS:		CHK R BALTER 13APR2016	NAME	
mm	TOLERANCES UNLESS OTHERWISE SPECIFIED:	APVD R BALTER 13APR2016	PRODUCT SPEC	
	0 PLC ±		108-151043	
	1 PLC ±		APPLICATION SPEC	
	2 PLC ±		SIZE CAGE CODE DRAWING NO	
	3 PLC ±		RESTRICTED TO	
	4 PLC ±		WEIGHT	
	ANGLES ±		A100779C=2302491	
MATERIAL	FINISH		SCALE 2:1 SHEET 1 OF 1 REV A2	
			CUSTOMER DRAWING	