

Technical specification :

Rated voltage: IEC 61076-2-104	30 V
Current rating: IEC 61076-2-104	3 A at 40°C
Insulation resistance: IEC 60512	>=100 MΩ
Pollution degree: IEC 60664-1	3/2
Degree of protection: DIN 40050-9	IP 69K, in mated condition
Temperature range: IEC 60664-1	-30°C ... +105°C
Mating cycles: IEC 60512-9a	>=100

Materials:

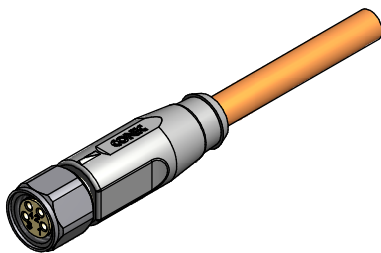
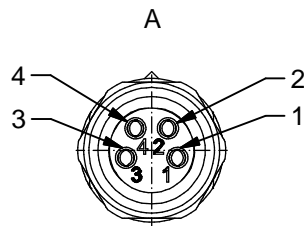
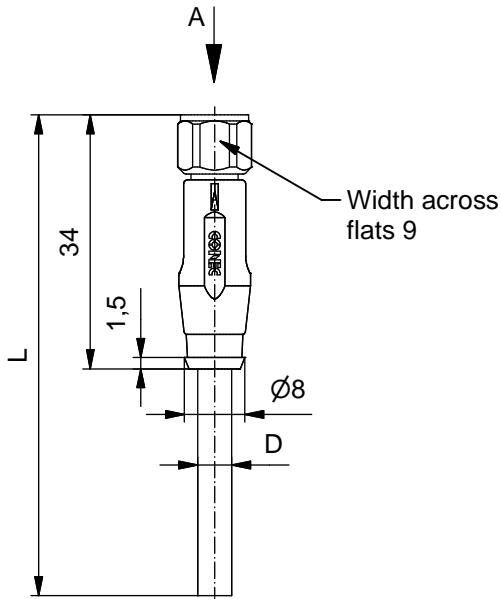
Contact:	CuZn
Contact plating:	Nickel, gold plated
Contact carrier:	PP GF, UL 94
Sealing:	FPM
Coupling nut:	1.4404 stainless steel
Moulding body:	Thermoplastic elastomere, grey

Installation specification:

Recommended torque:	0,4 Nm
Conec installation tool:	Torque wrench: 36-000200 Insert across flats 9: 36-000210

Contact assignment:

- 1) brown
- 2) white
- 3) blue
- 4) black



Part no:	Description:	Length L:	Cable:
42-10472	SAL - FB - 8 - RK4 - 2 / P1	2m	PP, orange, 4x0,25mm ² Cable: 781-P12400
42-10473	SAL - FB - 8 - RK4 - 3 / P1	3m	
42-10474	SAL - FB - 8 - RK4 - 5 / P1	5m	
42-10475	SAL - FB - 8 - RK4 - 10 / P1	10m	
42-xxxxx	SAL - FB - 8 - RK4 - ... / P1	x	

D see data sheet cable

DO NOT ALTER CAD DRAWING BY HAND Directive 2002/95/EC RoHS compliant	Index: a 22.03.11 VF Ä3909 technical specification changed, part no. cable in table added, data sheet modified	dim. in mm		title: Female connector M8x1 axial, FB		
		date	name			
	tolerance of cable: L <= 4m: L + 40mm L > 4m: L + 1%	drawn	16.10.08	Mankopf	dwg no: 42K1A098	
	general tolerance: 0 ± 0,50mm 0,0 ± 0,25mm 0,00 ± 0,10mm	appd.	16.10.08	Fromm		
					part no: see table	
<small>THIS DRAWING MAY NOT BE COPIED OR REPRODUCED IN ANY WAY, AND MAY NOT BE PASSED ON TO A THIRD PARTY WITHOUT WRITTEN PERMISSION. OWNERSHIP AND COPYRIGHT OF CONEC GmbH</small>						