

**HOBBITBOARD - NXP i.MX6Ultralite
(PART# HOBBIT6UL)**

March 28, 2016

TABLE OF CONTENTS

1. Hobbitboard Product Overview	3
1.1. Hobbitboard System-on-Module Overview.....	4
1.2. Hobbitboard Carrier Baseboard Overview	4
2. Core Components	5
2.1. NXP i.MX6Ultralite Cortex-A7 Processor	5
2.2. NXP PF3000 Power Management IC (PMIC)	6
2.3. Memory (SKHynix)	7
2.4. eMMC Storage (Kingston).....	7
2.5. Broadcom BCM4339 WiFi/Bluetooth SiP Module	8
3. Hobbitboard Interfaces and Connectors	11
3.1. Power Input Connector.....	11
3.2. System RESET Button	11
3.3. Fast Ethernet	12
3.4. Audio Interface	12
3.5. Universal Serial Bus (USB) Host Interface.....	13
3.6. Universal Serial Bus (USB) OTG Interface	13
3.6. UART Debug Interface	14
3.7. Serial Boot or eMMC Boot Control Pins	15
3.8. Expansion Header Pins	16
4. Booting up the Hobbitboard	20
4.1.1. Overview.....	20
4.1.2 i.MX6UL boot process details.....	20
4.1.3 Changing Hobbitboard boot mode	20
4.1.4 Preparing a bootable software image.....	22
4.1.4.1 Procedure overview	22
4.1.4.2 eMMC boot overview	22
4.1.4.3 Preparing an OS image	22
4.1.4.4 Creating the image file from a block device.....	23
4.2. Programming PICO-IMX6UL-EMMC using a Windows host	24
4.2.1. Preparing the setup	24
4.2.2. Using sb_loader	25
4.2.3. Using WinDiskImager to flash the eMMC	27
4.3. Programming Hobbitboard eMMC using a Linux host	28
4.3.1. Using imx_usb tool and flashing the eMMC	28
4.3.2. Copying files to eMMC without an image file.....	28
5. HobbitBoard PICO Compute Module Pin Assignment.....	29
6. Hobbitboard Compute Module Pinmux Overview	36
7. Disclaimer and Important Notice	39
8. Schematics.....	40

1. Hobbitboard Product Overview

The Hobbitboard is a 2 board development board consisting of a System-on-Module and a carrier baseboard and optimized for the Internet-of-Things (IoT).

Figure 1 - Hobbitboard IC Identification and Overview

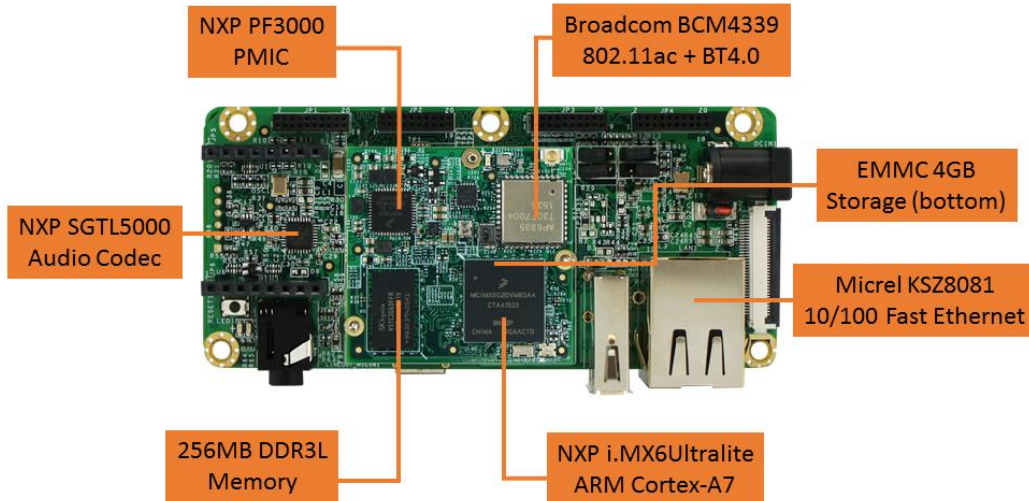
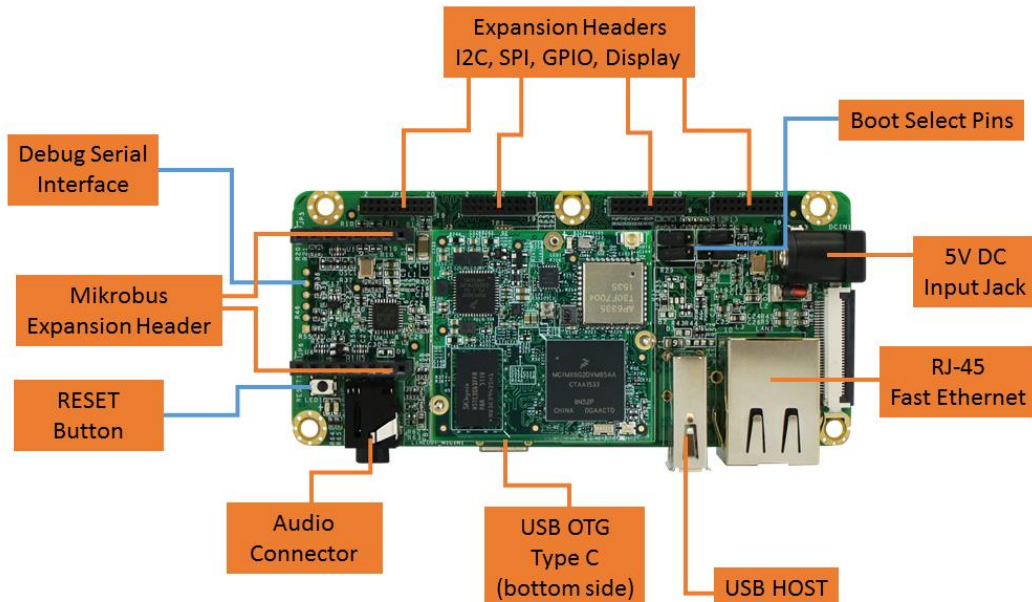


Figure 2 - Hobbitboard Connector Overview



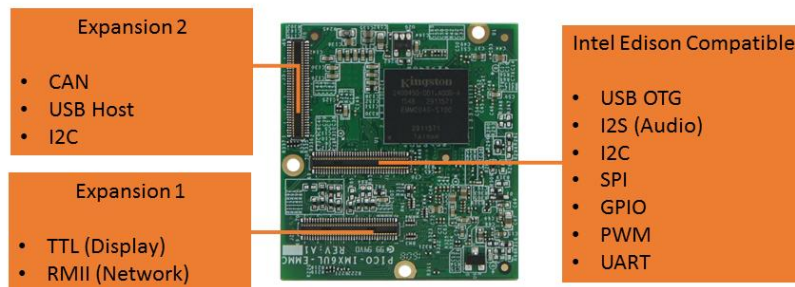
1.1. Hobbitboard System-on-Module Overview

The Hobbitboard System-on-Module (PICO-IMX6UL-EMMC) has 3 Hirose high-speed 70 pin board-to-board connectors and integrates the NXP i.MX6Ultralite, Memory, eMMC, Power Management IC (PMIC) and WiFi / Bluetooth on the module.

Figure 3 - Hobbitboard System-on-Module



Figure 4 - Hobbitboard System-on-Module Signal Overview



1.2. Hobbitboard Carrier Baseboard Overview

The Hobbitboard Carrier Baseboard (PICO-HOBBIT-FL) has 3 Hirose high-speed 70 pin board-to-board connectors that connect to the System-on-Module and provides the real-world interfaces such as audio, network, USB and a large number of signals on the various pin headers.

Figure 5 - Hobbitboard Carrier Board



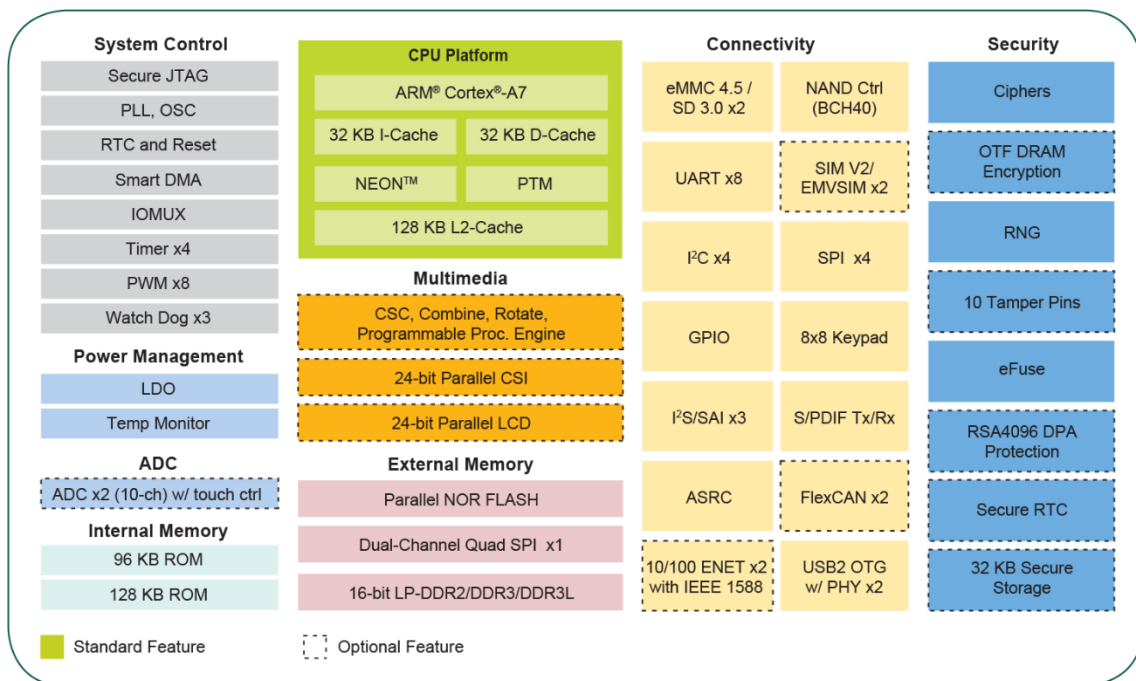
2. Core Components

2.1. NXP i.MX6Ultralite Cortex-A7 Processor

The i.MX 6UltraLite is an ultra-efficient processor family with featuring Freescale’s advanced implementation of the single ARM Cortex®-A7 core, which operates at speeds of up to 528 MHz.

- The device is composed of the following major subsystems:
 - Single-core ARM Cortex-A7 MPCore™ Platform
 - 32 KBytes L1 Instruction Cache
 - 32 KBytes L1 Data Cache
 - Private Timer and Watchdog
 - TrustZone support
 - Cortex-A7 NEON MPE (Media Processing Engine) Co-processor
- PXP—PiXel Processing Pipeline for imagine resize, rotation, overlay and CSC. Offloading key pixel processing operations are required to support the LCD display applications.

Figure 6 - NXP i.MX6Ultralite Processor Blocks



2.2. NXP PF3000 Power Management IC (PMIC)

The Hobbitboard has on onboard NXP PF3000 power management integrated circuit (PMIC) that features a configurable architecture supporting the numerous outputs with various current ratings as well as programmable voltage and sequencing required by the components on the Hobbitboard Compute Module.

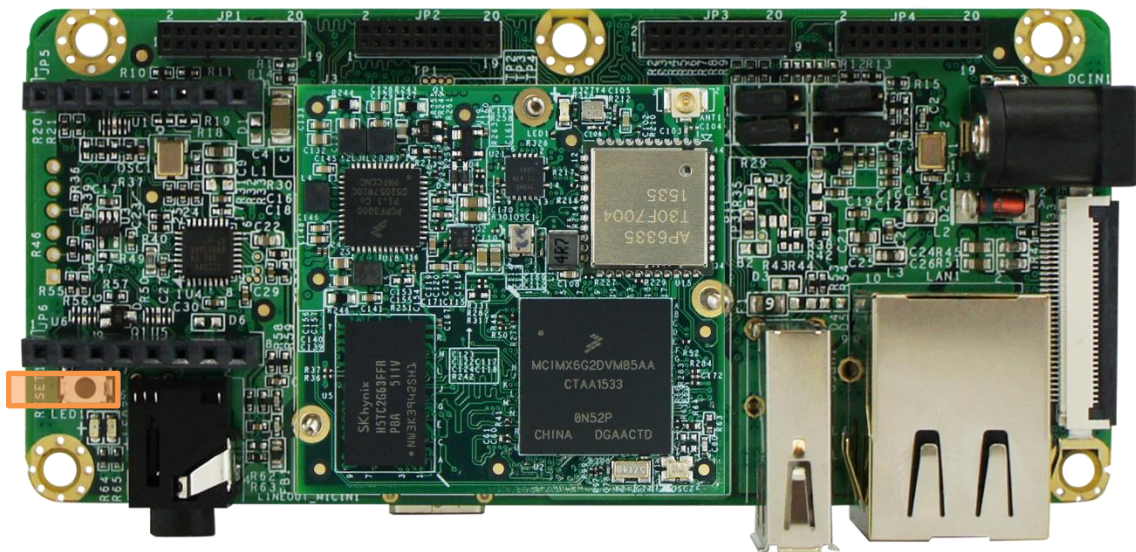
To perform a hard-reset of the Hobbitboard a software reset signal can be implemented.

CPU BALL	CPU PAD NAME	Pinmux (mode)	Signal	V	I/O	Description
E9	LCD_RESET	lcdif.RESET (mode0)	RESET	3V3	I	Connected to the PWRON signal of PMIC

The Hobbitboard Compute Module as well has an RESET signal routed on connector E1_36 this pin is connected to the RESET Button on the Hobbitboard. Simply pressing this button will RESET the Hobbitboard.

Connector	Signal	V	I/O	Description
E1_36	RESET	3V3	I	Connected to the PWRON signal of PMIC on the PICO Compute Module. Connected to the RESET Button on the Hobbitboard.

Figure 7 - Hobbitboard Reset Button Location



2.3. Memory (SKHynix)

The Hobbitboard integrates 256MB (2Gbit) Double Data Rate III (DDR3) Synchronous DRAM in a single (16 bit) channel configuration.

SK Hynix 2Gbit low power Double Data Rate III (DDR3L) Synchronous DRAM, ideally suited for the main memory applications which requires large memory density, high bandwidth and low power operation at 1.35V.

More information can be retrieved from SKHynix.

2.4. eMMC Storage (Kingston)

The Hobbitboard onboard 4GB eMMC device is connected on the SD1 pins of the i.MX6Ultralite processor in an 8 bit width configuration.

Kingston e•MMC™ products follow the JEDEC e•MMC™ 4.5 standard. It is an ideal universal storage solutions for many electronic devices, including smartphones, tablet PCs, PDAs, eBook readers, digital cameras, recorders, MP3, MP4 players, electronic learning products, digital TVs and set-top boxes. E•MMC™ encloses the MLC NAND and e•MMC™ controller inside as one JEDEC standard package, providing a standard interface to the host. The e•MMC™ controller directly manages NAND flash, including ECC, wear-leveling, IOPS optimization and read sensing.

The Kingston NAND Device is fully compatible with the JEDEC Standard Specification No.JESD84-B45.

More information can be retrieved from Kingston.

2.5. Broadcom BCM4339 WiFi/Bluetooth SiP Module

The Hobbitboard comes with an onboard WiFi/Bluetooth SiP module. The 802.11ac + BT SiP module is a small sized BGA mounted module that provides full function of 802.11ac and Bluetooth class 4.0 +HS

The small size & low profile physical design make it easier for system design to enable high performance wireless connectivity without space constrain. The low power consumption and excellent radio performance make it the best solution for OEM customers who require embedded 802.11ac Wi-Fi + Bluetooth features.

The SiP module is based on Broadcom BCM4339 chipset which is a WiFi + BT SOC. The Radio architecture & high integration MAC/BB chip provide excellent sensitivity with rich system performance.

In addition to WEP 64/128, WPA and TKIP, AES, CCX is supported to provide the latest security requirement on your network.

The SiP module is designed to operate with a single antenna for WiFi and Bluetooth to be connected to the u.FL connector (separate purchase, please purchase partnumber “WBANTENNAKIT”)

Figure 8 - Hobbitboard WiFi / Bluetooth Module and Antenna Connector Location

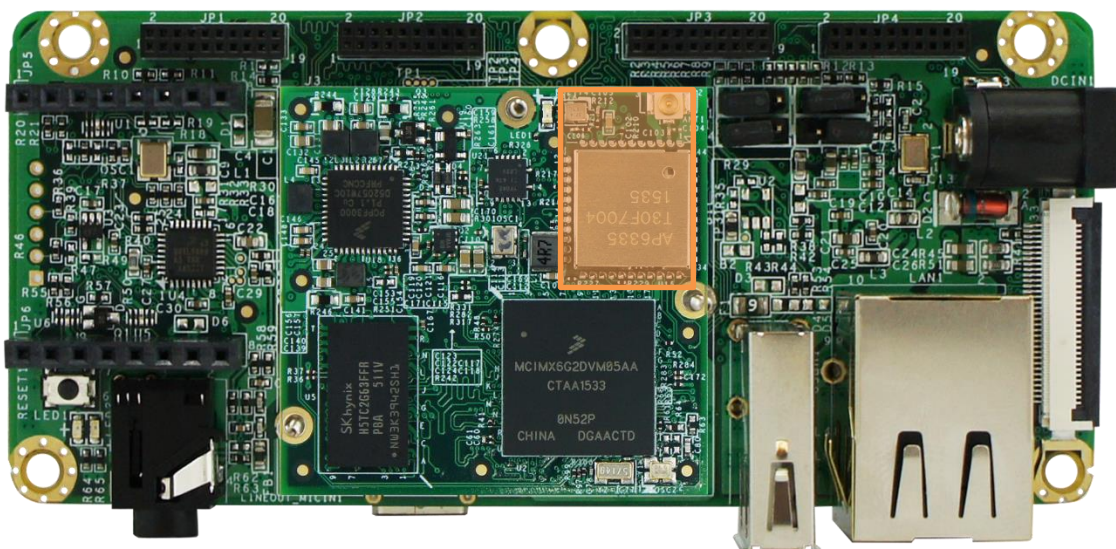


Table 1 - BCM4339 WiFi Signal Description

CPU BALL	PAD NAME	Pinmux (mode)	Signal	I/O	Description
D7	NAND_DATA00	usdhc2.DATA0 (mode1)	SDIO_D0	I/O	MMC/SDIO Data bit 0
B7	NAND_DATA01	usdhc2.DATA1 (mode1)	SDIO_D1	I/O	MMC/SDIO Data bit 1
A7	NAND_DATA02	usdhc2.DATA2 (mode1)	SDIO_D2	I/O	MMC/SDIO Data bit 2
D6	NAND_DATA03	usdhc2.DATA3 (mode1)	SDIO_D3	I/O	MMC/SDIO Data bit 3
C8	NAND_WE_B	usdhc2.CMD (mode1)	SDIO_CMD	I/O	MMC/SDIO Command
D8	NAND_RE_B	usdhc2.CLK (mode1)	SDIO_CLK	I/O	MMC/SDIO Clock
C6	NAND_DATA04	gpio4.IO[6] (mode5)	WL_HOST_WAKE	O	General purpose interface pin. This pin is high-impedance on power up and reset. Subsequently, it becomes an input or output through software control. This pin has a programmable weak pull-up/down.
A6	NAND_DATA06	gpio4.IO[8] (mode5)	WL_REG_ON	I	Used by PMU (OR-gated with BT_REG_ON) to power up or power down internal BCM4339 regulators used by the WLAN section. This pin is also a low-asserting reset for WLAN only (Bluetooth is not affected by this pin).

Table 2 - BCM4339 Bluetooth Signal Description

CPU BALL	PAD NAME	Pinmux (mode)	Signal	I/O	Description
M16	GPIO1_IO04	uart5.TX (mode8)	BT_UART_RXD	I	Bluetooth UART Serial Input. Serial data input for the HCI UART Interface
M17	GPIO1_IO05	uart5.RX (mode8)	BT_UART_TXD	O	Bluetooth UART Serial Output. Serial data output for the HCI UART Interface.
M15	GPIO1_IO09	uart5.CTS_B (mode8)	BT_UART_CTS	I/O	Bluetooth UART Clear to Send. Active-low clear-to-send signal for the HCI UART interface.
N17	GPIO1_IO08	uart5.RTS_B (mode8)	BT_UART_RTS	I/O	Bluetooth UART Request to Send. Active-low request-to-send signal for the HCI UART interface.
N14	JTAG_TRST_B	sai2.TX_DATA (mode2)	BT_PCM_IN	I	PCM data input
M14	JTAG_TCK	sai2.RX_DATA (mode2)	BT_PCM_OUT	O	PCM data output
N16	JTAG_TDI	sai2.TX_BCLK (mode2)	BT_PCM_CLK	I/O	PCM clock
N15	JTAG_TDO	sai2.TX_SYNC (mode2)	BT_PCB_SYNC	I/O	PCM sync signal
N9	SNVS_TAMPER8	gpio5.IO[8] (mode5)	BT_WAKE	I	Bluetooth device wake-up: Signal from the host to the module indicating that the host requires attention. <ul style="list-style-type: none"> • Asserted: Bluetooth device must wake-up or remain awake. • Deserted: Bluetooth device may sleep when sleep criteria are met. The polarity of this signal is software configurable and can be asserted high or low.
R6	SNVS_TAMPER9	gpio5.IO[9] (mode5)	BT_RST_N	I	Low asserting reset for BT core
B6	NAND_DATA05	gpio4.IO[7] (mode5)	BT_HOST_WAKE	O	Host UART wake up. Signal from the module to the host indicating that the module requires Attention. <ul style="list-style-type: none"> • Asserted: Host device must wake-up or remain awake. • Deserted: Host device may sleep when sleep criteria are met. The polarity of this signal is software configurable and can be asserted high or low.

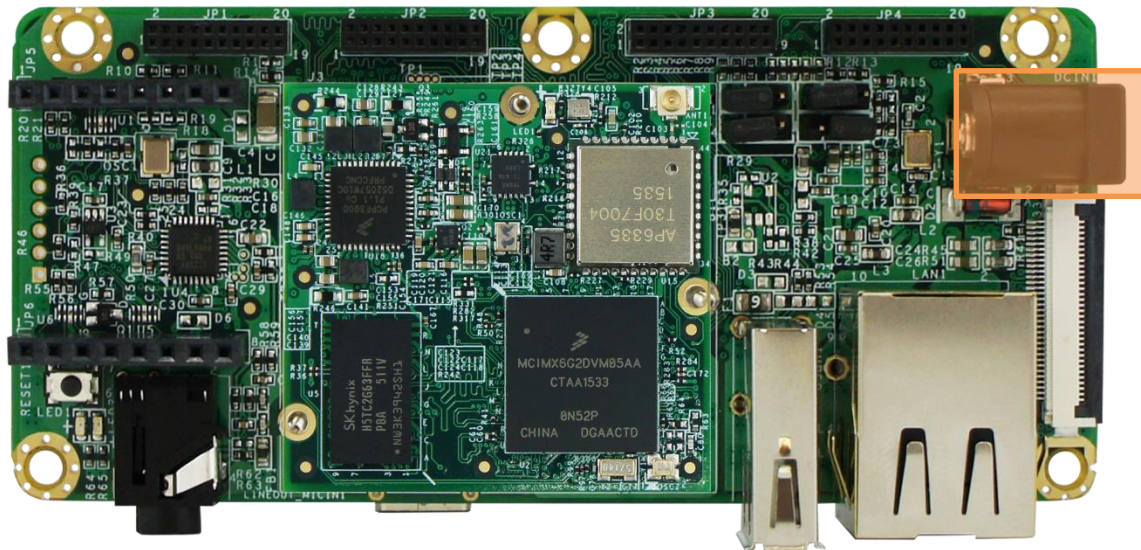
3. Hobbitboard Interfaces and Connectors

3.1. Power Input Connector

The Hobbitboard operates with a standard 5VDC power adaptor with at least 1.0 Ampere.

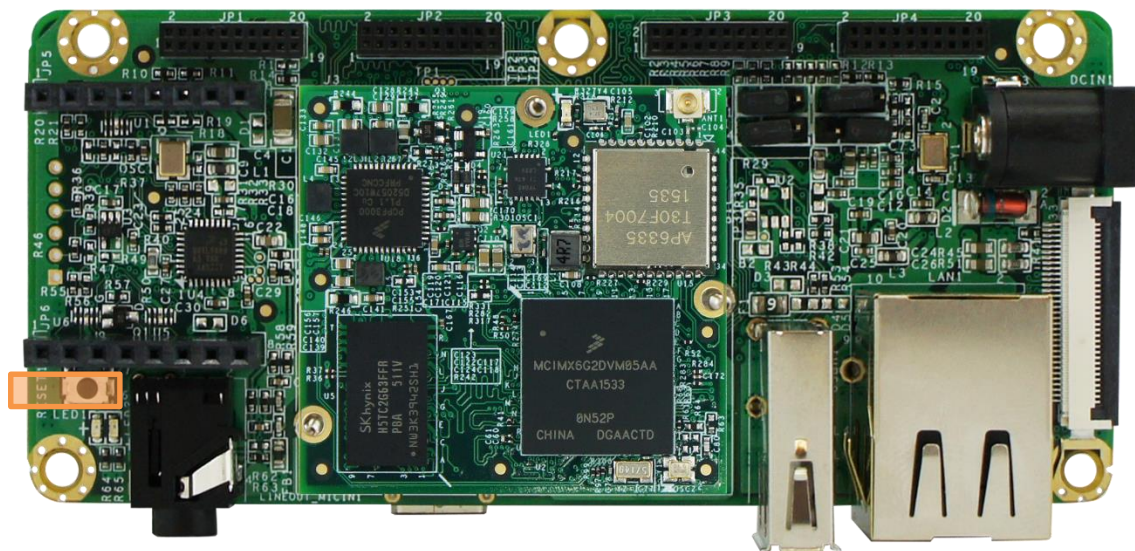
The connector dimensions are 5.5mm (barrel) / 2.1mm (tip).

Figure 9 - Hobbitboard Power Jack Location



3.2. System RESET Button

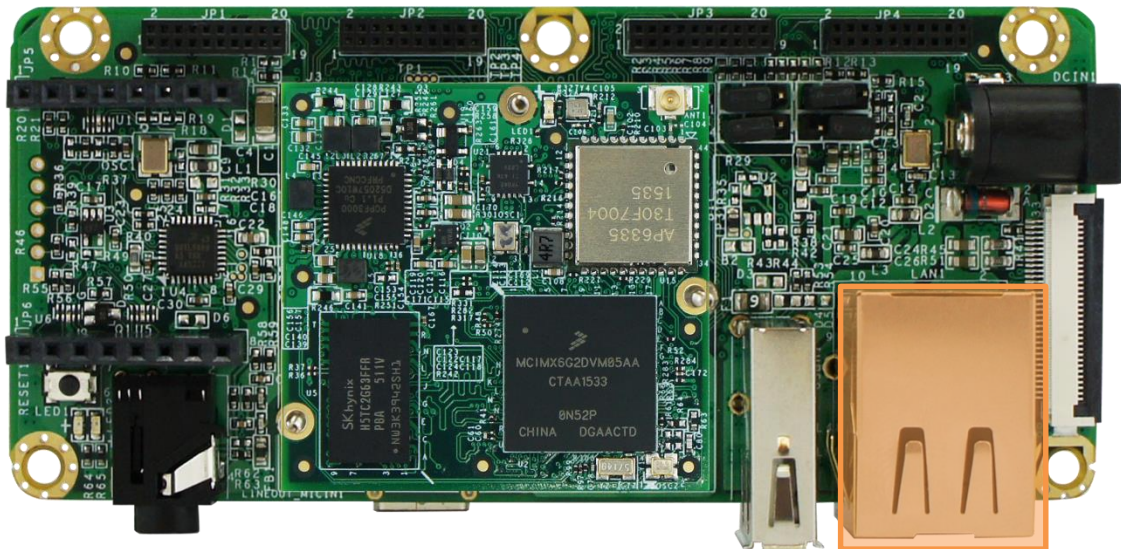
Figure 10 - Hobbitboard Reset Button Location



3.3. Fast Ethernet

The Hobbitboard features a 10/100 Mbit/s Fast Ethernet MAC compliant with the IEEE802.3-2002 standard. The MAC layer provides compatibility with half- or full-duplex 10/100 Mbit/s Ethernet LANs.

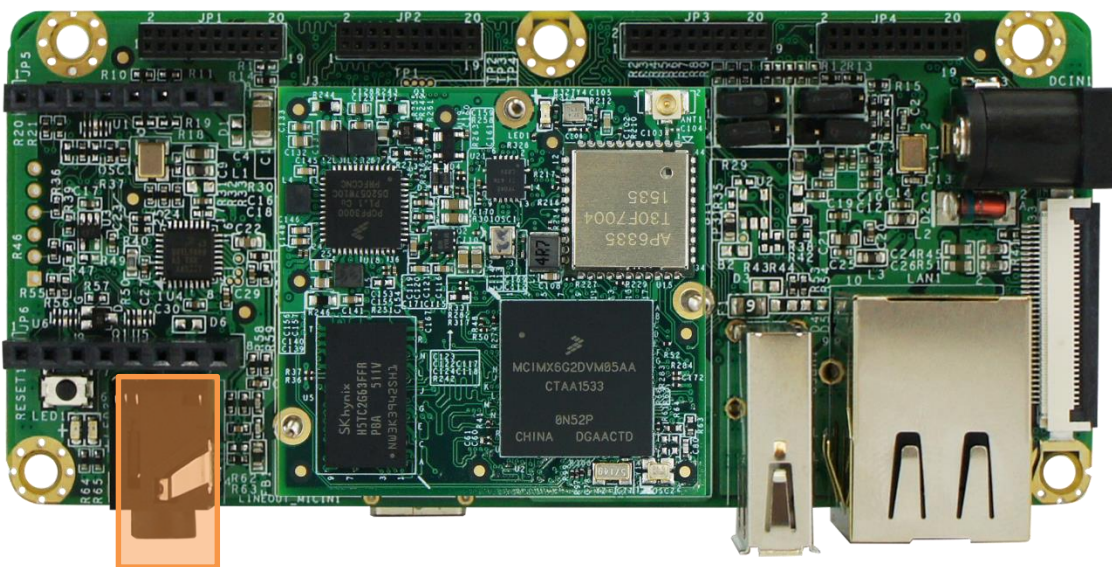
Figure 11 - Hobbitboard RJ-45 Network Connector Location



3.4. Audio Interface

The hobbitboards comes with an Audio jack which is compliant with the CTIA standard. A standard mobile phone headset will work.

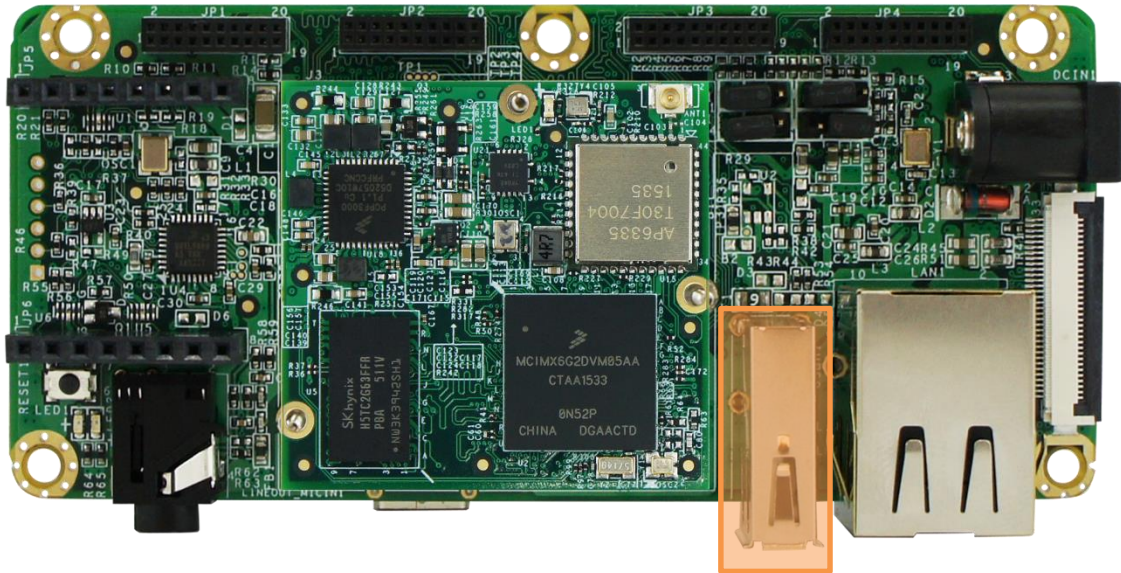
Figure 12 - Hobbitboard Audio Jack Location



3.5. Universal Serial Bus (USB) Host Interface

The Hobbitboard features a standard USB 2.0 Host Connector.

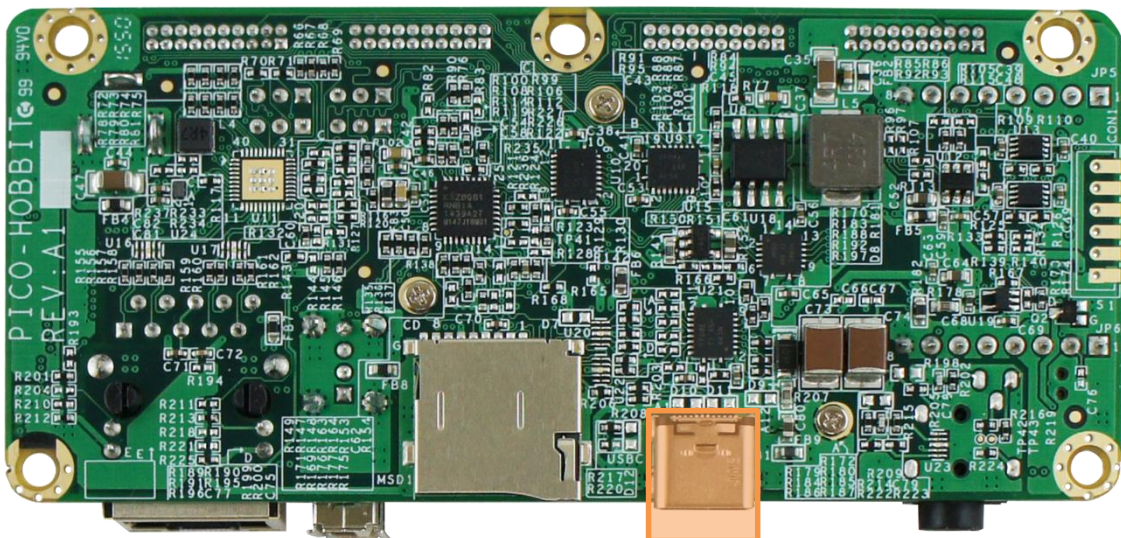
Figure 13 - Hobbitboard USB HOST Connector Location



3.6. Universal Serial Bus (USB) OTG Interface

The Hobbitboard incorporates a single USB Host/OTG controller. The signals are routed to a USB Type-C connector.

Figure 14- Hobbitboard USB OTG Type-C Connector Location

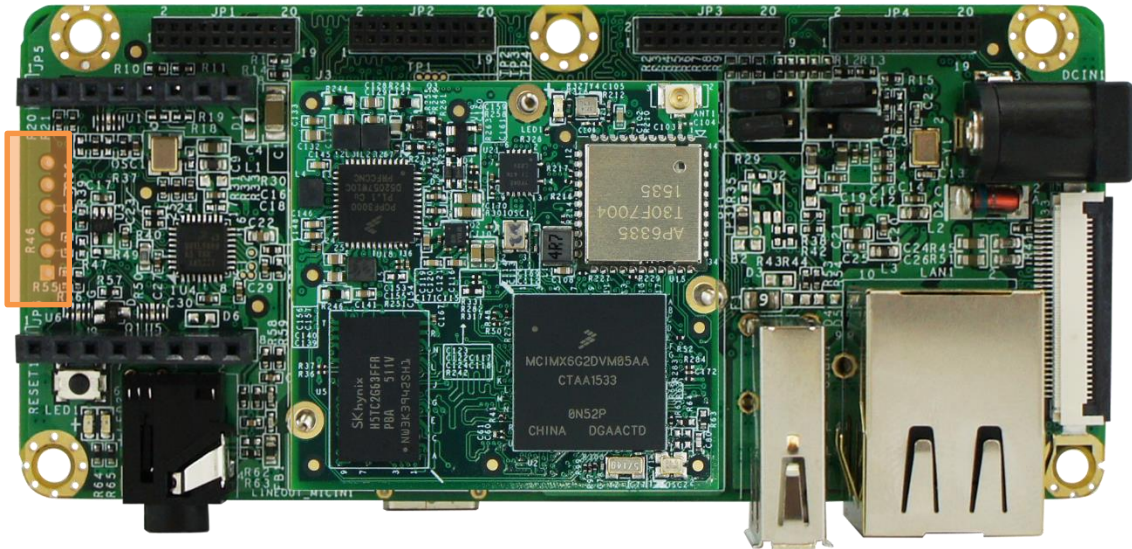


3.6. UART Debug Interface

The Hobbitboard Universal Asynchronous Receiver/Transmitter (UART) serial debug interface can be easily connected with an FTDI branded USB to Serial cable such as the FTDI **TTL-232R-3V3-WE**.

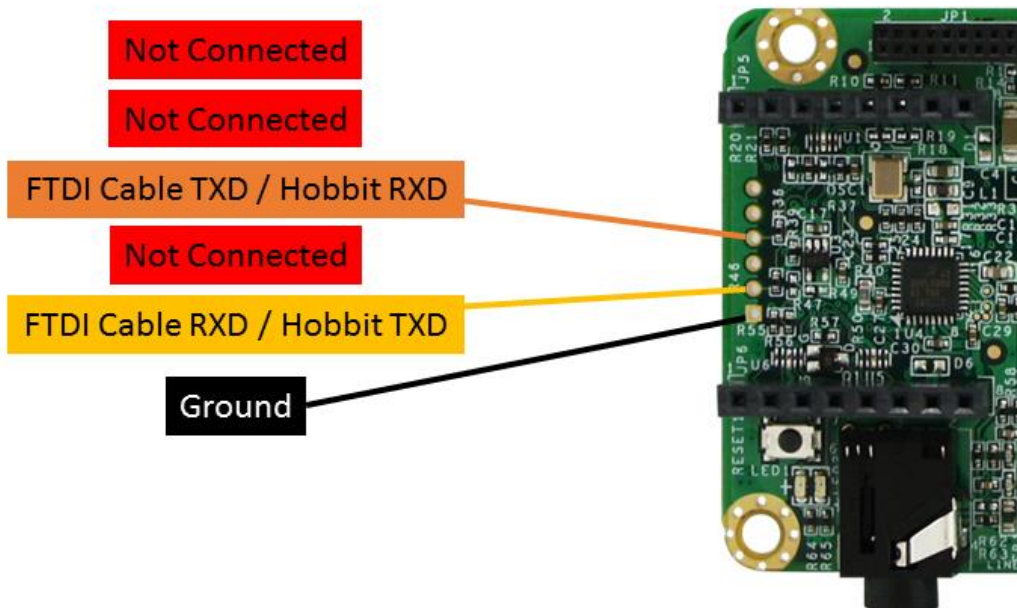
The debug interface can be found on the Hobbitboard at the following physical location and in software can be accessed over UART6.

Figure 15 - Hobbitboard Serial Debug Thru holes Location



While using the FTDI **TTL-232R-3V3-WE** only the brown/yellow/black cable should be connected to the following pins. All other wires of the cable can be left unconnected.

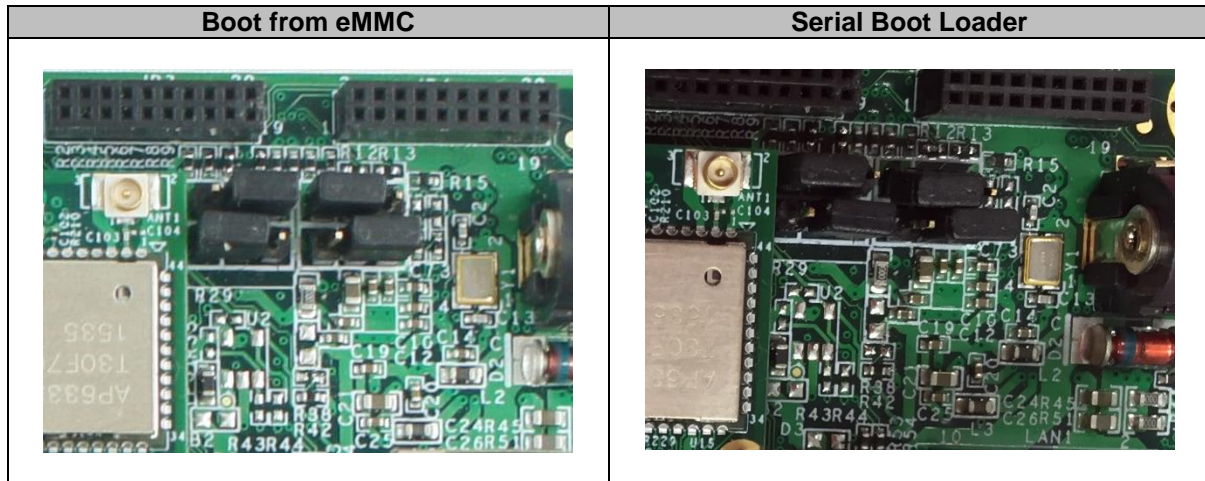
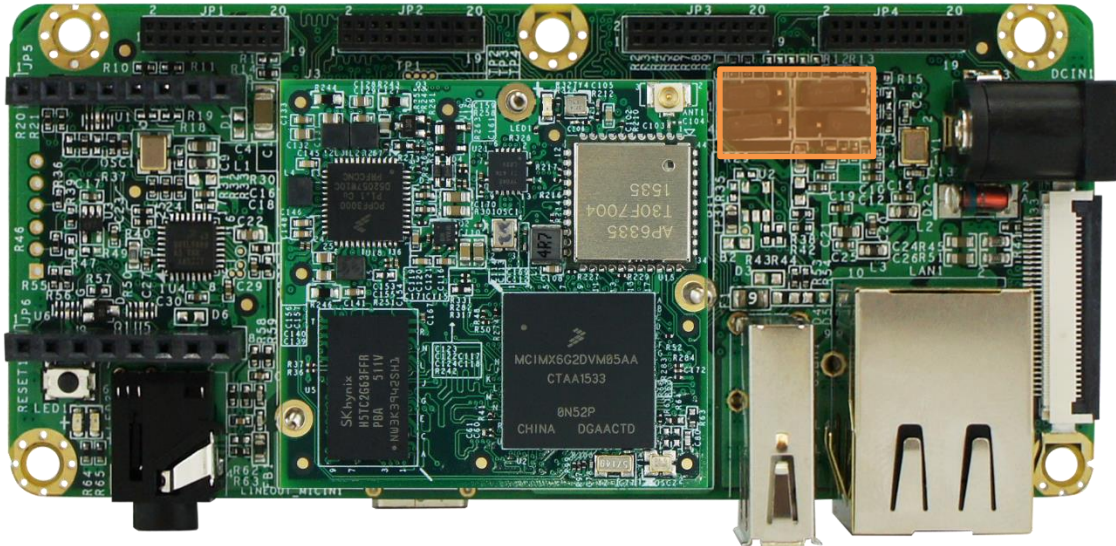
Figure 16 - Debug Cable Connection (FTDI TTL-232R-3V3-WE)



3.7. Serial Boot or eMMC Boot Control Pins

The Hobbitboard has a number of pins to override the default boot media (eMMC) and enter in Serial Boot Loader mode.

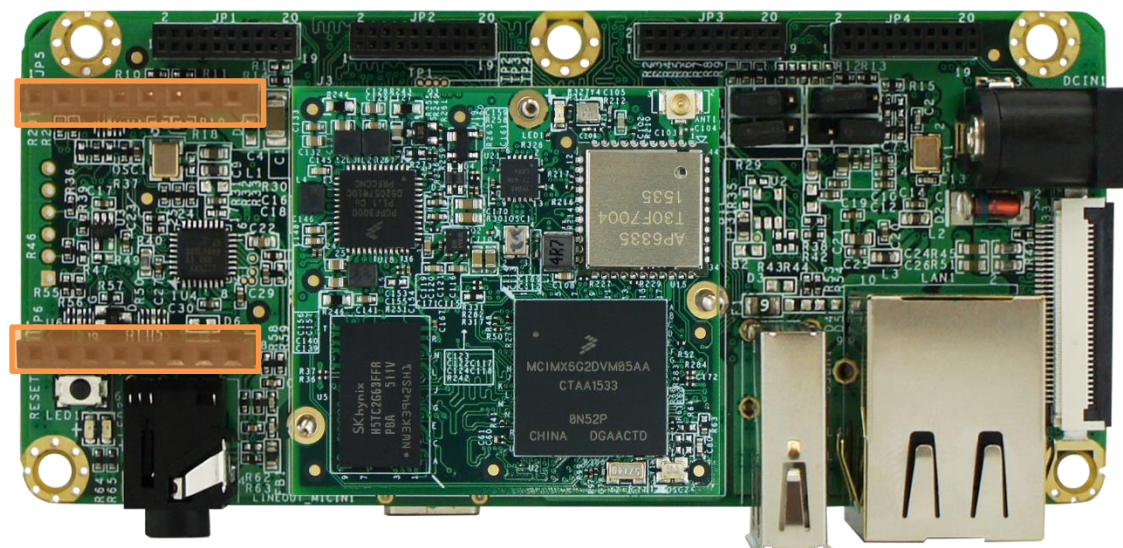
Figure 17 - Hobbitboard Boot Control Pins



3.8. Expansion Header Pins

The Hobbitboard has a number of expansion headers that can be used to connect displays, sensors, motors, and external devices.

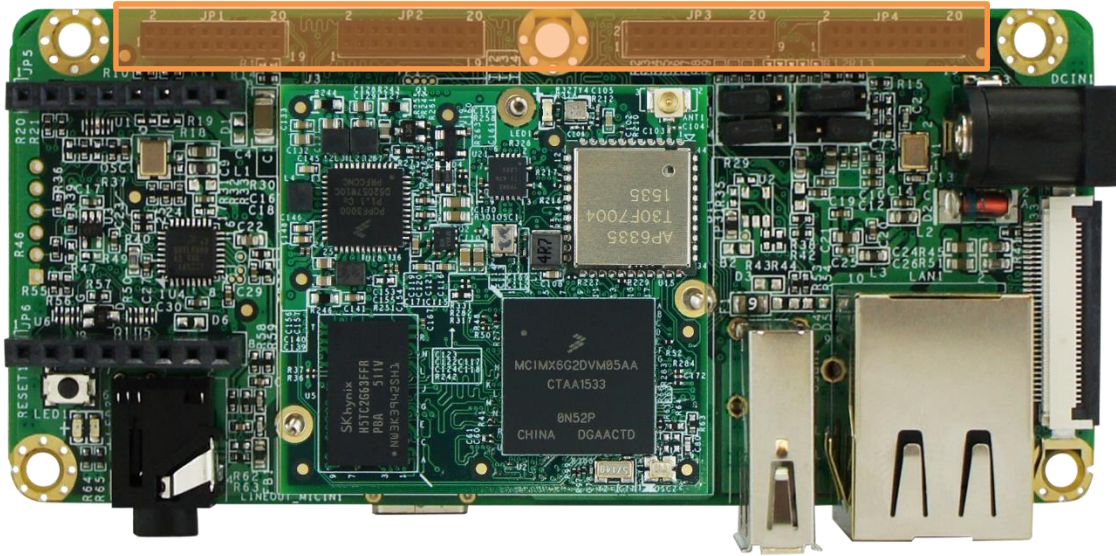
Figure 18 - Hobbitboard Mikrobus Header Location



PIN	i.MX6UL	CPU PAD NAME	Signal	V	I/O	Description
JP5_1	J14	UART1_RTS	USDHC1_CD_B	3V3	I/O	General Purpose Input Output with PWM control
JP5_2	F3	CSI_HSYNC	GPIO4_IO20	3V3	I/O	General Purpose Input Output
JP5_3	H16	UART3_RXD	UART3_RX	3V3	I	Universal Asynchronous Receive Transmit receive data signal
JP5_4	H17	UART3_TXD	UART3_TXD	3V3	O	Universal Asynchronous Receive Transmit transmit data signal
JP5_5	F17	UART5_TXD	I2C2_SCL	3V3	I/O	I ² C bus clock line
JP5_6	G13	UART5_RXD	I2C2_SDA	3V3	I/O	I ² C bus data line
JP5_7			5V Power	5V	P	5V Power
JP5_8			GND		P	Ground

PIN	i.MX6UL	CPU PAD NAME	Signal	V	I/O	Description
JP6_1			Analog Pin	3V3		ADC081C027 Analog signal accessible over I ² C2
JP6_2	PMIC	RESET	RESET	3V3	I	Reset power signal
JP6_3			NC			Not Connected
JP6_4	J16	UART2_RXD	ECSPI3_SCLK	3V3	O	Serial Peripheral Interface clock signal
JP6_5	J15	UART2_RTS	ECSPI3_MISO	3V3	I	Serial Peripheral Interface master input slave output signal
JP6_6	H14	UART2_CTS	ECSPI3_MOSI	3V3	O	Serial Peripheral Interface master output slave input signal
JP6_7			3V3 Power	3V3	P	3V3 Power
JP6_8			GND		P	Ground

Figure 19 - Hobbitboard Expansion Header Location



PIN	i.MX6UL	CPU PAD NAME	Signal	V	I/O	Description
JP1_1			3V3 Power	3V3	P	3V3 Power
JP1_2			3V3 Power	3V3	P	3V3 Power
JP1_3			NC			Not Connected
JP1_4			3V3 Power	3V3	P	3V3 Power
JP1_5			NC			Not Connected
JP1_6	B4	NAND_ALE	PWM3_OUT	3V3	O	LCD Backlight brightness Control
JP1_7			NC			Not Connected
JP1_8			NC			Not Connected
JP1_9			NC			Not Connected
JP1_10			NC			Not Connected
JP1_11			NC			Not Connected
JP1_12			NC			Not Connected
JP1_13			NC			Not Connected
JP1_14			NC			Not Connected
JP1_15			NC			Not Connected
JP1_16			3V3 Power	3V3	P	3V3 Power
JP1_17			NC			Not Connected
JP1_18			GND		P	Ground
JP1_19			GND		P	Ground
JP1_20			GND		P	Ground

PIN	i.MX6UL	CPU PAD NAME	Signal	V	I/O	Description
JP2_1	B9	LCD_DATA0	LCDIF_DATA0	3V3	O	LCD Pixel Data bit 0
JP2_2	E12	LCD_DATA10	LCDIF_DATA10	3V3	O	LCD Pixel Data bit 10
JP2_3	A9	LCD_DATA1	LCDIF_DATA1	3V3	O	LCD Pixel Data bit 1
JP2_4	D12	LCD_DATA11	LCDIF_DATA11	3V3	O	LCD Pixel Data bit 11
JP2_5	E10	LCD_DATA2	LCDIF_DATA2	3V3	O	LCD Pixel Data bit 2
JP2_6	C12	LCD_DATA12	LCDIF_DATA12	3V3	O	LCD Pixel Data bit 12
JP2_7	D10	LCD_DATA3	LCDIF_DATA3	3V3	O	LCD Pixel Data bit 3
JP2_8	B12	LCD_DATA13	LCDIF_DATA13	3V3	O	LCD Pixel Data bit 13
JP2_9	C10	LCD_DATA4	LCDIF_DATA4	3V3	O	LCD Pixel Data bit 4
JP2_10	A12	LCD_DATA14	LCDIF_DATA14	3V3	O	LCD Pixel Data bit 14
JP2_11	B10	LCD_DATA5	LCDIF_DATA5	3V3	O	LCD Pixel Data bit 5
JP2_12	D13	LCD_DATA15	LCDIF_DATA15	3V3	O	LCD Pixel Data bit 15
JP2_13	A10	LCD_DATA6	LCDIF_DATA6	3V3	O	LCD Pixel Data bit 6
JP2_14	C13	LCD_DATA16	LCDIF_DATA16	3V3	O	LCD Pixel Data bit 16
JP2_15	D11	LCD_DATA7	LCDIF_DATA7	3V3	O	LCD Pixel Data bit 7
JP2_16	B13	LCD_DATA17	LCDIF_DATA17	3V3	O	LCD Pixel Data bit 17
JP2_17	B11	LCD_DATA8	LCDIF_DATA8	3V3	O	LCD Pixel Data bit 8
JP2_18	A13	LCD_DATA18	LCDIF_DATA18	3V3	O	LCD Pixel Data bit 18
JP2_19	A11	LCD_DATA9	LCDIF_DATA9	3V3	O	LCD Pixel Data bit 9
JP2_20	D14	LCD_DATA19	LCDIF_DATA19	3V3	O	LCD Pixel Data bit 19

PIN	i.MX6UL	CPU PAD NAME	Signal	V	I/O	Description
JP3_1			3V3 Power	3V3	P	3V3 Power
JP3_2			3V3 Power	3V3	P	3V3 Power
JP3_3	N8	SNVS_TAMPER5	GPIO5_IO05	3V3	O	LCD backlight enable/disable
JP3_4	C14	LCD_DATA20	LCDIF_DATA20	3V3	O	LCD Pixel Data bit 20
JP3_5	P14	JTAG_TMS	GPIO1_IO11	3V3	O	LCD Voltage On
JP3_6	B14	LCD_DATA21	LCDIF_DATA21	3V3	O	LCD Pixel Data bit 21
JP3_7	G13	UART5_RXD	I2C2_SDA	3V3	I/O	I ² C bus data line
JP3_8	A14	LCD_DATA22	LCDIF_DATA22	3V3	O	LCD Pixel Data bit 22
JP3_9	F17	UART5_TXD	I2C2_SCL	3V3	I/O	I ² C bus clock line
JP3_10	B16	LCD_DATA23	LCDIF_DATA23	3V3	O	LCD Pixel Data bit 23
JP3_11	L17	GPIO1_IO03	I2C1_SDA	3V3	I/O	I ² C bus data line
JP3_12	A8	LCD_CLK	LCDIF_CLK	3V3	O	LCD Pixel Clock
JP3_13	L14	GPIO1_IO02	I2C1_SCL	3V3	I/O	I ² C bus clock line
JP3_14	C9	LCD_VSYNC	LCDIF_VSYNC	3V3	O	LCD Vertical Synchronization
JP3_15	K16	UART1_RXD	I2C3_SDA	1V8	I/O	I ² C bus data line
JP3_16	D9	LCD_HSYNC	LCDIF_HSYNC	3V3	O	LCD Horizontal Synchronization
JP3_17	K14	UART1_TXD	I2C3_SCL	1V8	I/O	I ² C bus clock line
JP3_18	B8	LCD_ENABLE	LCDIF_ENABLE	3V3	O	LCD dot enable pin signal
JP3_19			GND		P	Ground
JP3_20			GND		P	Ground

PIN	i.MX6UL	CPU PAD NAME	Signal	V	I/O	Description
JP4_1			5V Power	5V	P	5V Power
JP4_2			5V Power	5V	P	5V Power
JP4_3			5V Power	5V	P	5V Power
JP4_4	F2	CSI_VSYNC	GPIO4_IO19	3V3	I/O	General Purpose Input Output
JP4_5			5V Power	5V	P	5V Power
JP4_6	E4	CSI_DATA00	GPIO4_IO21	3V3	I/O	General Purpose Input Output
JP4_7	H14	UART2_CTS	ECSPI3_MOSI	3V3	O	Serial Peripheral Interface master output slave input signal
JP4_8	E3	CSI_DATA01	GPIO4_IO22	3V3	I/O	General Purpose Input Output
JP4_9	J15	UART2_RTS	ECSPI3_MISO	3V3	I	Serial Peripheral Interface master input slave output signal
JP4_10	E2	CSI_DATA02	GPIO4_IO23	3V3	I/O	General Purpose Input Output
JP4_11	J16	UART2_RXD	ECSPI3_SCLK	3V3	O	Serial Peripheral Interface clock signal
JP4_12	E1	CSI_DATA03	GPIO4_IO24	3V3	I/O	General Purpose Input Output
JP4_13			NC			Not Connected
JP4_14	K15	UART1_CTS	GPIO4_IO18	3V3	I/O	General Purpose Input Output
JP4_15	J17	UART2_TXD	ECSPI3_SS0	3V3		Serial Peripheral Interface Chip Select 1 signal
JP4_16	F3	CSI_HSYNC	GPIO4_IO20	3V3	I/O	General Purpose Input Output
JP4_17			GND		P	Ground
JP4_18	P11	SNVS_TAMPER2	GPIO5_IO02	3V3	I/O	General Purpose Input Output
JP4_19			GND		P	Ground
JP4_20			GND		P	Ground

4. Booting up the Hobbitboard

4.1.1. Overview

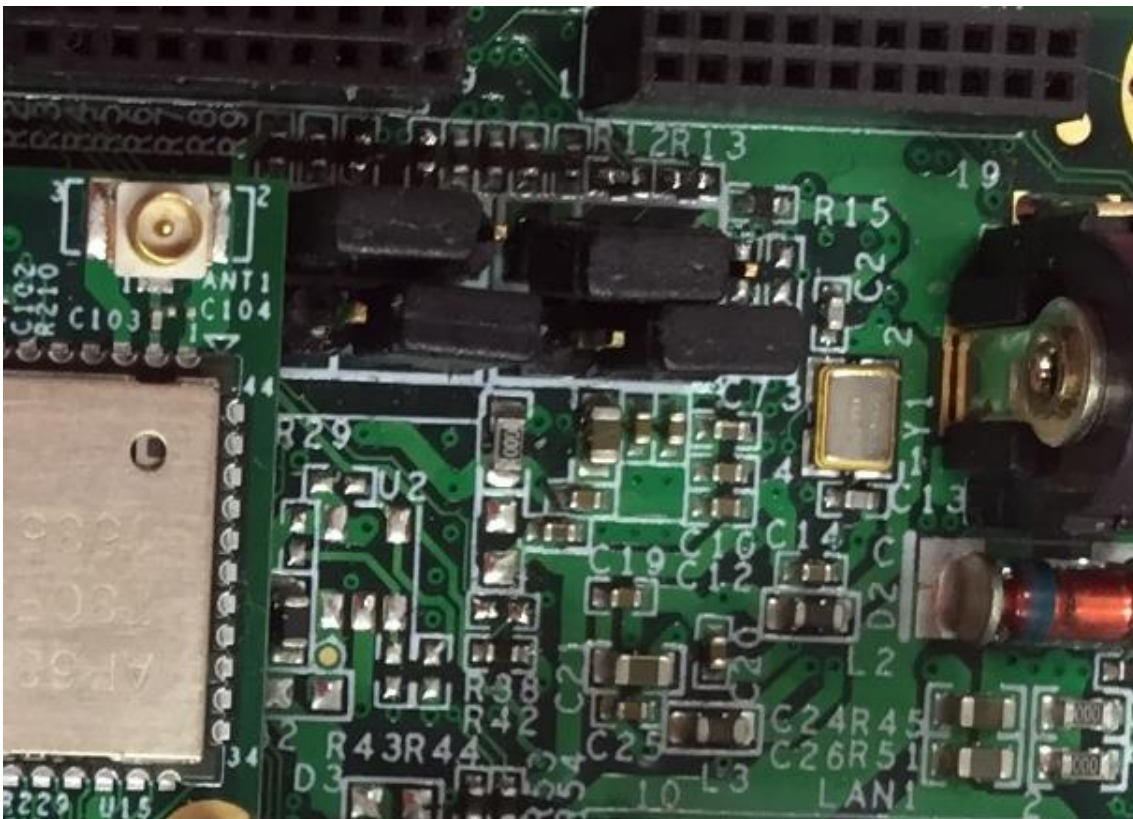
The boot mode for the Hobbitboard is controlled with jumpers on the baseboard. Normally, the board is intended to boot from the on-board eMMC flash, but sometimes the board needs to be booted from an external source. This can happen for example if the eMMC contains a faulty bootloader. This document guides how the on-board eMMC flash of a Hobbitboard can be flashed from a host PC.

4.1.2 i.MX6UL boot process details

When the boot jumpers are set to eMMC boot, the ROM code will attempt to boot from eMMC. If there is no bootable software present, the board will revert to "serial download mode". The name "serial download mode" is slightly misleading, since the mode has grown past UART communication and nowadays is a way to access the board over an USB OTG port, or in the case of Hobbitboard, the USB type C port.

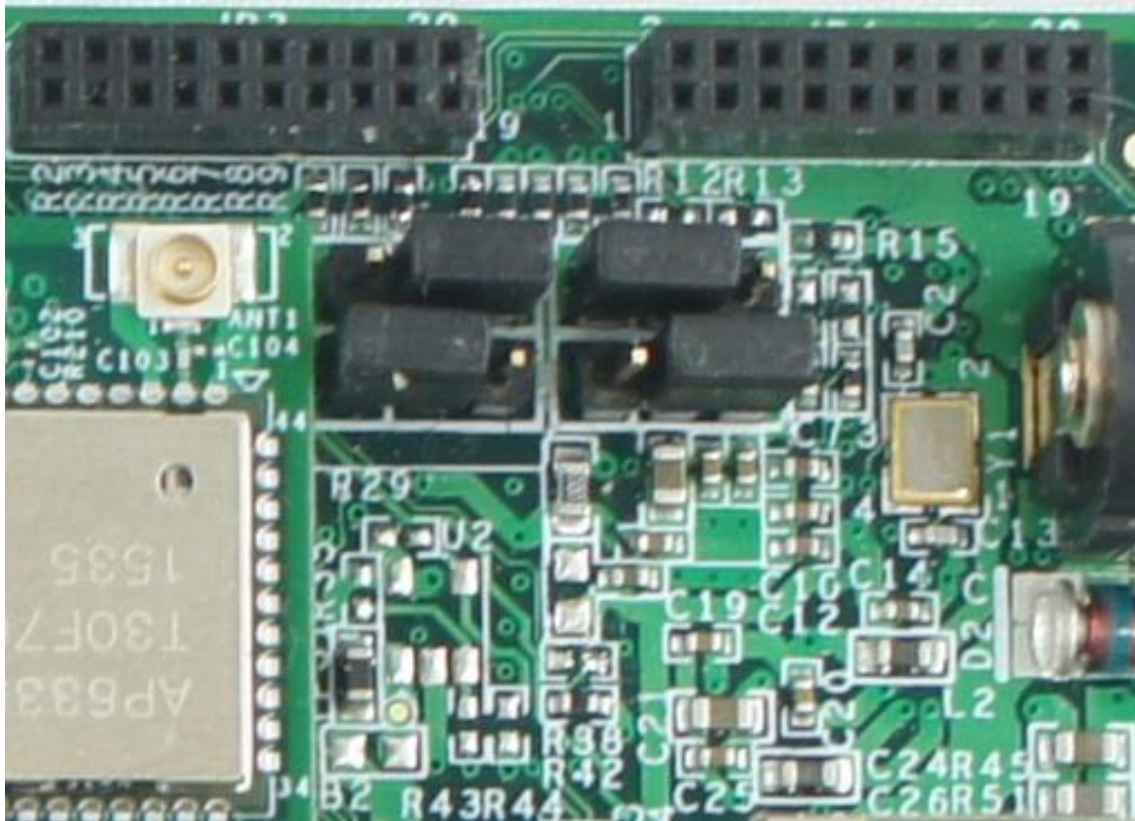
4.1.3 Changing Hobbitboard boot mode

To force the board into serial download mode using a Hobbitboard, change the boot mode jumpers J1 to 1-2 and jumper J4 to 2-3, as pictured below.



With this jumper setting, the board will not even attempt to boot from eMMC, but always expect it to be programmed over the USB type C connector.

To set the boot mode to eMMC, restore the jumpers J1 to 2-3 and jumper J4 to 1-2 (as pictured below).



In this mode the board will attempt to boot from eMMC, but can in some circumstances revert to serial download mode. This can happen for instance if the eMMC is not bootable. Note that "half-booting" software, like a u-boot that does not initialize memory timings for correct operation, will be interpreted as booting. More technically, if the ROM code finds the correct signature 1kB into the eMMC, it considers the board bootable from eMMC. To verify your Hobbitboard is in serial download mode, connect a USB cable between the host PC and the Hobbitboard. Power up the board. If a USB device with name "Freescale Semiconductor in Recovery Mode" appears, the board is in serial download mode.

4.1.4 Preparing a bootable software image

This section explains how software should be laid out inside the eMMC for a successful boot. There are also steps how to prepare software to be programmed into the Hobbitboard eMMC.

4.1.4.1 Procedure overview

The procedure recommended here for programming the board is:

1. Prepare a file containing a bit-by-bit copy of what should be in eMMC (an "image" file). The layout of such files is described in sections 4.1.4.2 and 4.1.4.3.
2. Booting the board in serial download mode
3. Accessing the eMMC as a mass storage device (see chapters 4.2 and 4.3)
4. Copying the eMMC image file to the board
5. Booting the image

4.1.4.2 eMMC boot overview

This section describes how to use a Linux computer to prepare an image file of eMMC content. This step can be omitted, but is useful for creating image files which are easily distributable (since it is a all-in-one file).

A conventional Linux image consists of

- u-boot bootloader
- kernel
- devicetree
- root filesystem
- and sometimes, an initial ramdisk

The usual set up is that the kernel, device tree and the optional RAM disk is placed in a FAT partition as the first partition, and the OS filesystems occupies the remaining partitions. Linux systems usually occupy just the second partition, and in case a swap partition, also the third partition, but other operating systems, like Brillo, makes use of more advanced partition schemes.

Convenient ways to prepare an image using a Linux computer is using a block device (like a USB stick or an SD card) or a loopback device. It is also possible to access the eMMC as a mass storage device and manually place the data in the right place. See section 4.3.x.

4.1.4.3 Preparing an OS image

This section describes how to prepare the eMMC contents so the system can boot. This is intended for those wanting to prepare their own image, and not to use an image already provided by someone else.

The device is assumed to be a block device (like USB stick or SD card), but can beneficially be the eMMC itself (see chapter 4.2 and 4.3 on how to access the eMMC as a block device on a host PC). Here the block device is denoted `/dev/sdX`; care must be taken that the right device is used.

First, partition your device. Leave the first 1MB (or so) unpartitioned so that the first partition starts about 1MB into the device. The reason for this is that the u-boot bootloader needs to reside in unpartitioned space in the beginning of the block device.

The first partition is usually a FAT partition containing the Linux kernel as a zImage and the device tree blob (dtb) file. If an initial ramdisk is used, the initrd files can also reside in the FAT partition.

The second partition is usually the Linux root file system. Keep in mind when partitioning that the eMMC is limited in size to approximately 4GB, and not let your image become too large to fit.

Then copy your bootloader (u-boot) 1kB into the image. On a Linux host, the following command can be used. Remember to replace /dev/sdX with the appropriate device or image file.

```
# dd if=u-boot.imx of=/dev/sdX bs=1k seek=1 conv=notrunc oflag=dsync
```

Thereafter format the additional partitions, with the expected file systems, copy the files there.

4.1.4.4 Creating the image file from a block device

As a last step create the image file from your block device. This can be done using the followin Linux commands: First list the partitions in the block device:

```
# fdisk -lc /dev/sdX
```

The output looks something like:

```
Disk /dev/sdX: 3965 MB, 3965190144 bytes
122 heads, 62 sectors/track, 1023 cylinders
Units = cylinders of 7564 * 512 = 3872768 bytes
Sector size (logical/physical): 512 bytes / 512 bytes
I/O size (minimum/optimal): 512 bytes / 512 bytes
Disk identifier: 0x0005ffff
```

Device	Boot	Start	End	Blocks	Id	System
/dev/sdX1		2	4	8192+	83	FAT12
/dev/sdX2		4	85	307200	83	Linux
/dev/sdX3		85	363	1048576	82	Linux swap

To extract the OS image from this issue the command

```
# dd if=/dev/sdX of=image.img bs=3872768 count=85
```

The blocksize (bs= parameter) is taken from the line "**Units = cylinders of 7564 * 512 = 3872768 bytes**" and the count parameter is the end of the last non-swap partition, /dev/sdX2.

4.2. Programming PICO-IMX6UL-EMMC using a Windows host

This section guides on how to use a Windows 7 computer to access the eMMC on a Hobbitboard, and how to program an image file to the eMMC.

Tools needed:

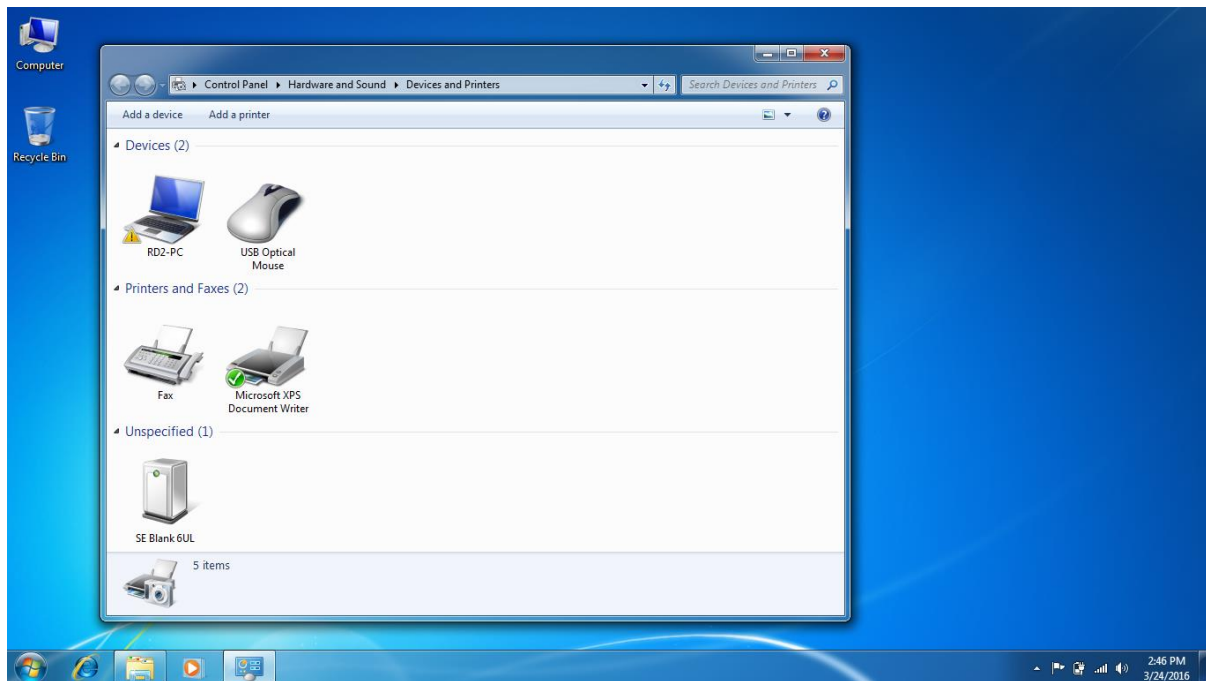
- sb_loader_imx6ul.exe (or similar)
- a "bootbomb" file that can be dropped on the board, enabling it to be accessible as a USB Mass Storage device
- Windiskimager or similar tool that allows raw writing of block devices.
- An eMMC image file to be programmed to the eMMC flash of the board.
- And optionally, a serial terminal emulator program

For convenience, there is a downloadable tool package containing the three first items at:

http://www.hobbitboard.org/downloads/hobbit/hobbitboard_tools-20160322.zip

4.2.1. Preparing the setup

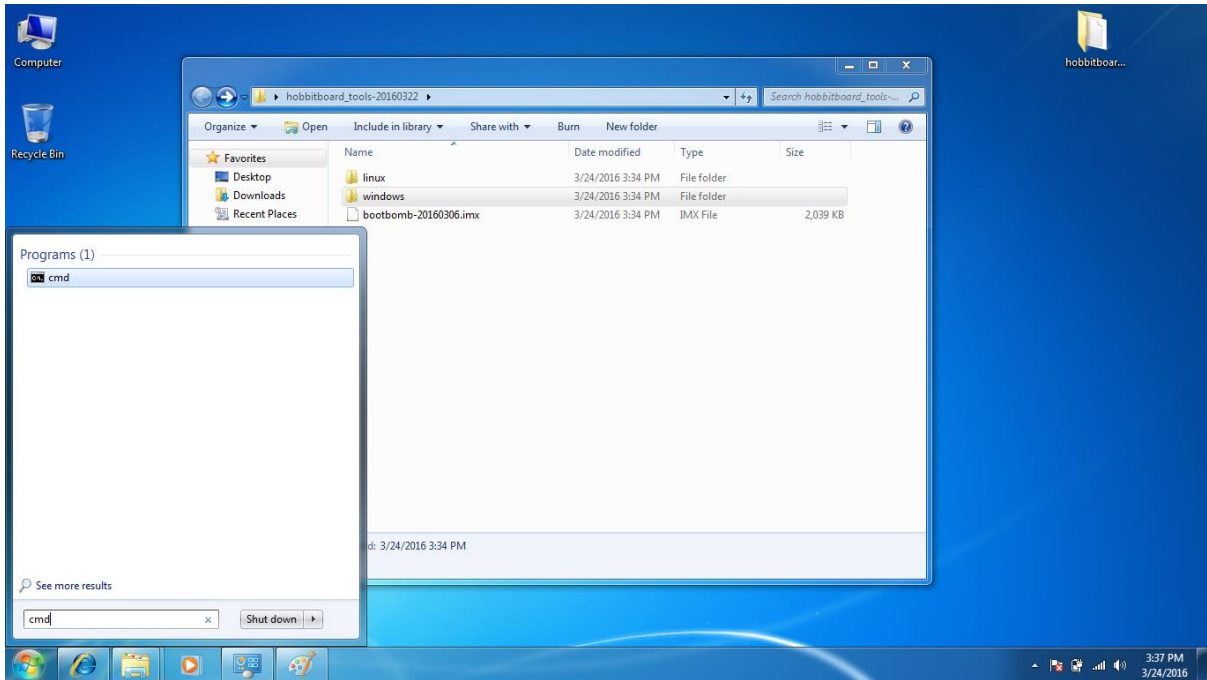
First attach a USB Type C peripheral cable to the board, and the other end to the host PC. Set the boot jumpers to serial download mode, power up the board, and verify that a "SE Blank 6UL" device appears (as below):



Next, download the tools package. Copy the folder inside the ZIP file to the Desktop.

4.2.2. Using sb_loader

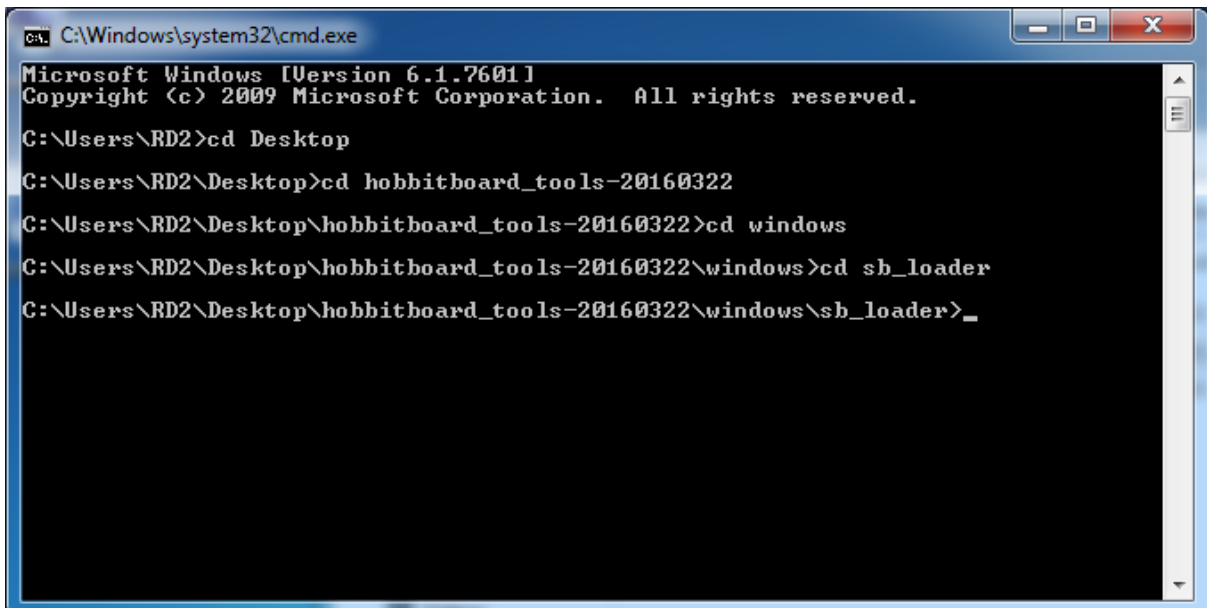
Then start a command prompt by clicking on the start menu, and in the "Search programs and files" box enter "cmd" (see below):



In the command line interface, navigate to the Hobbitboard tools package and the sb_loader folder inside it by typing the following commands:

- cd Desktop
- cd hobbitboard_tools-20160322
- cd windows
- cd sb_loader

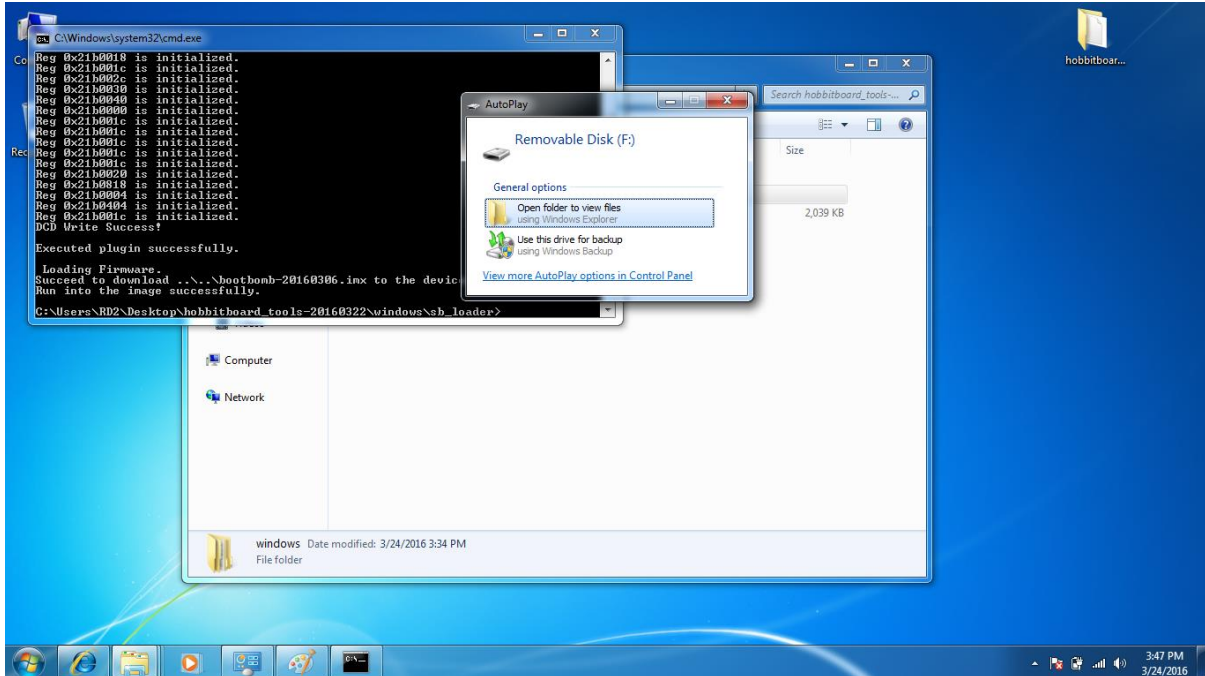
(see screenshot below)



Next run sb_loader to boot the image on the board. Issue the command:

- sb_loader_imx6ul.exe -f ..\..\bootbomb-20160306.imx

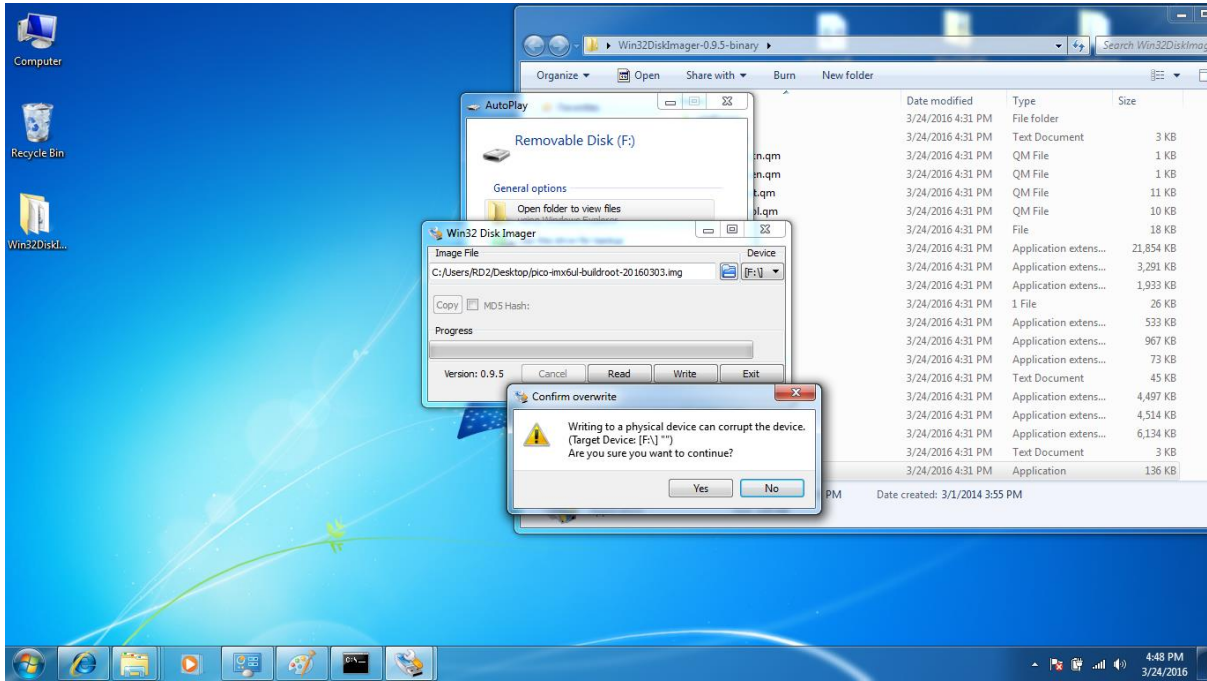
The loader will push the image to the board, and a mass storage device will appear (in the example below it gets the letter F:)



4.2.3. Using WinDiskImager to flash the eMMC

Start win32diskimager, and open the image file that is to be used. In the image below the file pico-imx6ul-buildroot-2016030.img is used as an example.

NOTE: It is important that you use the mass storage device that appeared when using sb_loader, using the wrong device might corrupt your hard drive!



After WinDiskImager finishes, power off the board, set the boot jumpers back to eMMC boot and power up the board.

4.3. Programming Hobbitboard eMMC using a Linux host

This section describes how to program the eMMC using a Linux computer. The description below is less verbose as the one for Windows systems.

Tools needed are:

- `imx_usb` loader
- a "bootbomb" file that can be dropped on the board, enabling it to be accessible as a USB Mass Storage device
- And, preferably, an eMMC image file to be programmed to the eMMC flash of the board.

As above, the two first items are included in the tools package at:

http://www.hobbitboard.org/downloads/hobbit/hobbitboard_tools-20160322.zip

4.3.1. Using `imx_usb` tool and flashing the eMMC

Boot the board in serial download mode. Connect the USB type C cable to the board and the other end to the host PC.

It is possible to use the command `'lsusb'` to verify that a the board really is in serial download mode. If so, then there is a "Freescale Semiconductor" device present in the list:

Bus 002 Device 033: ID 15a2:007d Freescale Semiconductor, Inc.

Then drop the boot image on the board with the command

```
# ./imx_usb bootbomb.imx
```

After a few seconds a USB Mass Storage Device appears.

Now it is possible to use commands like `'dd'` to program the eMMC on the board, for instance copying an operating system image file to the board can be done with:

```
# dd if=image.img of=/dev/sdX bs=1M oflag=dsync
```

where `sdX` is the mass storage device corresponding to the Hobbitboard EMMC.

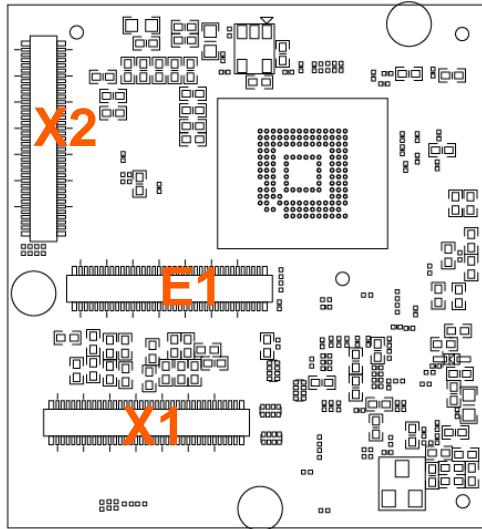
After this, change the jumpers back to eMMC boot and reboot the board.

4.3.2. Copying files to eMMC without an image file

It is also possible to assemble an image directly in the eMMC of the Hobbitboard. To do so, perform the steps in chapter 4.1.4.3 using the Mass Storage block device presented after running the `imx_usb` tool.

5. HobbitBoard PICO Compute Module Pin Assignment

Want to make your own carrier baseboard and want to use the Hobbitboard PICO Compute Module. Here is the complete pinout.



PIN	CPU BALL	CPU PAD NAME	Signal	V	I/O	Description
E1_1			GND		P	Ground
E1_2			VSYS		P	System input power (4.0 to 5.25V)
E1_3	K13	GPIO1_IO00	USB_OTG1_PWR	3V3	I	USB OTG ID Pin
E1_4			VSYS		P	System input power (4.0 to 5.25V)
E1_5			GND		P	Ground
E1_6			VSYS		P	System input power (4.0 to 5.25V)
E1_7			NC			Not Connected
E1_8			3V3		P	System 3.3V Output
E1_9			GND		P	Ground
E1_10			3V3		P	System 3.3V Output
E1_11			GND		P	Ground
E1_12			1V8		P	System 1.8V Output (same as E1 connector I/O voltage levels)
E1_13			GND		P	Ground
E1_14			VSYS		P	System input power (4.0 to 5.25V)
E1_15			GND		P	Ground
E1_16	U15	USB_OTG1_DP	USB_OTG_DP	USB	I/O	Universal Serial Bus differential pair positive signal

PIN	CPU BALL	CPU PAD NAME	Signal	V	I/O	Description
E1_17	R8	ONOFF	SRC_RESET_B	3V3	I	Power ON button input signal
E1_18	T15	USB_OTG1_DN	USB_OTG1_DN	USB	I/O	Universal Serial Bus differential pair negative signal
E1_19	L15	GPIO1_IO01	GPIO1_IO01	1V8	I	Over current detect input pin to monitor USB power over current
E1_20	T12	USB_OTG1_VBUS	USB_OTG1_VBUS	5V	I/O	Universal Serial Bus power
E1_21	K17	GPIO1_IO06	USB_OTG_PWR_WAKE	USB	I	Universal Serial Bus power enable
E1_22	E5	CSI_PIXCLK	UART6_RX	1V8	I	Universal Asynchronous Receive Transmit receive data signal
E1_23			NC			Not Connected
E1_24	F2	CSI_VSYNC	GPIO4_IO19	1V8	I/O	General Purpose Input Output
E1_25	F3	CSI_HSYNC	GPIO4_IO20	1V8	I/O	General Purpose Input Output
E1_26	E4	CSI_DATA00	GPIO4_IO21	1V8	I/O	General Purpose Input Output
E1_27	F5	CSI_MCLK	UART6_TX	1V8	O	Universal Asynchronous Receive Transmit transmit data signal
E1_28	E3	CSI_DATA01	GPIO4_IO22	1V8	I/O	General Purpose Input Output
E1_29			NC			Not Connected
E1_30	E2	CSI_DATA02	GPIO4_IO23	1V8	I/O	General Purpose Input Output
E1_31			NC			Not Connected
E1_32	E1	CSI_DATA03	GPIO4_IO24	1V8	I/O	General Purpose Input Output
E1_33	D15	ENET1_RX_ER	PWM8_OUT	1V8	I/O	General Purpose Input Output with PWM control
E1_34	K15	UART1_CTS	GPIO4_IO18	1V8	I/O	General Purpose Input Output
E1_35	F14	ENET1_TX_CLK	PWM7_OUT	1V8	I/O	General Purpose Input Output with PWM control
E1_36	PMIC	RESET	RESET	1V8	I	Reset power signal
E1_37	J14	UART1_RTS	USDHC1_CD_B	1V8	I/O	General Purpose Input Output with PWM control
E1_38			NC			Not Connected
E1_39			NC			Not Connected
E1_40			NC			Not Connected
E1_41	F17	UART5_TXD	I2C2_SCL	1V8	I/O	I ² C bus clock line
E1_42	G17	UART4_TXD	GPIO4_IO28	1V8	I/O	General Purpose Input Output
E1_43	G13	UART5_RXD	I2C2_SDA	1V8	I/O	I ² C bus data line
E1_44	G16	UART4_RXD	GPIO4_IO29	1V8	I/O	General Purpose Input Output
E1_45	K14	UART1_TXD	I2C3_SCL	1V8	I/O	I ² C bus clock line

PIN	CPU BALL	CPU PAD NAME	Signal	V	I/O	Description
E1_46	H17	UART3_TXD	UART3_TXD	1V8	O	Universal Asynchronous Receive Transmit transmit data signal
E1_47	K16	UART1_RXD	I2C3_SDA	1V8	I/O	I ² C bus data line
E1_48	P11	SNVS_TAMPER2	GPIO5_IO02	1V8	I/O	General Purpose Input Output
E1_49			NC			Not Connected
E1_50	D2	CSI_DATA06	SAI1_RX_DATA	1V8	I	Integrated Interchip Sound (I ² S) channel receive data line
E1_51			NC			Not Connected
E1_52	D3	CSI_DATA05	SAI1_TX_BCLK	1V8	O	Integrated Interchip Sound (I ² S) channel word clock signal
E1_53	J17	UART2_TXD	ECSPI3_SS0	1V8		Serial Peripheral Interface Chip Select 1 signal
E1_54	D4	CSI_DATA04	SAI1_TX_SYNC	1V8	O	Integrated Interchip Sound (I ² S) channel frame synchronization signal
E1_55	J16	UART2_RXD	ECSPI3_SCLK	1V8	O	Serial Peripheral Interface clock signal
E1_56	D1	CSI_DATA07	SAI1_TX_DATA	1V8	O	Integrated Interchip Sound (I ² S) channel transmit data line
E1_57	H14	UART2_CTS	ECSPI3_MOSI	1V8	O	Serial Peripheral Interface master output slave input signal
E1_58			NC			Not Connected
E1_59	J15	UART2_RTS	ECSPI3_MISO	1V8	I	Serial Peripheral Interface master input slave output signal
E1_60			NC			Not Connected
E1_61	H16	UART3_RXD	UART3_RX	1V8	I	Universal Asynchronous Receive Transmit receive data signal
E1_62			NC			Not Connected
E1_63	G14	UART3_RTS	UART3_RTS	1V8	O	Universal Asynchronous Receive Transmit request to send signal
E1_64			NC			Not Connected
E1_65	H15	UART3_CTS	UART3_CTS	1V8	O	Universal Asynchronous Receive Transmit clear to send signal
E1_66			NC			Not Connected
E1_67			NC			Not Connected
E1_68			NC			Not Connected
E1_69			NC			Not Connected
E1_70			NC			Not Connected

PIN	CPU BALL	CPU PAD NAME	Signal	V	I/O	Description
X1_1			GND		P	Ground
X1_2			GND		P	Ground
X1_3			NC			Not Connected
X1_4			NC			Not Connected
X1_5			NC			Not Connected
X1_6			NC			Not Connected
X1_7			GND		P	Ground
X1_8	B16	LCD_DATA23	LCDIF_DATA23	3V3	O	LCD Pixel Data bit 23
X1_9			NC			Not Connected
X1_10	A14	LCD_DATA22	LCDIF_DATA22	3V3	O	LCD Pixel Data bit 22
X1_11			NC			Not Connected
X1_12	B14	LCD_DATA21	LCDIF_DATA21	3V3	O	LCD Pixel Data bit 21
X1_13			GND		P	Ground
X1_14	C14	LCD_DATA20	LCDIF_DATA20	3V3	O	LCD Pixel Data bit 20
X1_15			NC			Not Connected
X1_16	D14	LCD_DATA19	LCDIF_DATA19	3V3	O	LCD Pixel Data bit 19
X1_17			NC			Not Connected
X1_18	A13	LCD_DATA18	LCDIF_DATA18	3V3	O	LCD Pixel Data bit 18
X1_19			GND		P	Ground
X1_20	B13	LCD_DATA17	LCDIF_DATA17	3V3	O	LCD Pixel Data bit 17
X1_21			NC			Not Connected
X1_22	C13	LCD_DATA16	LCDIF_DATA16	3V3	O	LCD Pixel Data bit 16
X1_23			NC			Not Connected
X1_24	D13	LCD_DATA15	LCDIF_DATA15	3V3	O	LCD Pixel Data bit 15
X1_25			GND		P	Ground
X1_26	A12	LCD_DATA14	LCDIF_DATA14	3V3	O	LCD Pixel Data bit 14
X1_27			NC			Not Connected
X1_28	B12	LCD_DATA13	LCDIF_DATA13	3V3	O	LCD Pixel Data bit 13
X1_29			NC			Not Connected
X1_30	C12	LCD_DATA12	LCDIF_DATA12	3V3	O	LCD Pixel Data bit 12
X1_31			GND		P	Ground
X1_32	D12	LCD_DATA11	LCDIF_DATA11	3V3	O	LCD Pixel Data bit 11
X1_33	F15	ENET1_TXEN	ENET2_MDIC	3V3		Management data clock reference
X1_34	E12	LCD_DATA10	LCDIF_DATA10	3V3	O	LCD Pixel Data bit 10
X1_35	E14	ENET1_TXD1	ENET2_MDIO	3V3		Management data
X1_36	A11	LCD_DATA9	LCDIF_DATA9	3V3	O	LCD Pixel Data bit 9
X1_37	D16	ENET2_RXER	GPIO2_IO15	3V3		Ethernet reset
X1_38	B11	LCD_DATA8	LCDIF_DATA8	3V3	O	LCD Pixel Data bit 8
X1_39	N11	SNVS_TAMPER6	GPIO5_IO06	3V3		Ethernet interrupt output
X1_40	D11	LCD_DATA7	LCDIF_DATA7	3V3	O	LCD Pixel Data bit 7
X1_41	L16	GPIO1_IO07	ANATOP_ENET_REF_CLK2	3V3		Synchronous Ethernet recovered clock
X1_42	A10	LCD_DATA6	LCDIF_DATA6	3V3	O	LCD Pixel Data bit 6
X1_43	B15	ENET2_TXEN	ENET2_TX_EN	3V3		RMI transmit enable
X1_44	B10	LCD_DATA5	LCDIF_DATA5	3V3	O	LCD Pixel Data bit 5
X1_45	B17	ENET2_CRS_DV	ENET2_RX_EN	3V3		RMI receive data valid
X1_46	C10	LCD_DATA4	LCDIF_DATA4	3V3	O	LCD Pixel Data bit 4

PIN	CPU BALL	CPU PAD NAME	Signal	V	I/O	Description
X1_47			GND		P	Ground
X1_48	D10	LCD_DATA3	LCDIF_DATA3	3V3	O	LCD Pixel Data bit 3
X1_49	D17	ENET2_TXCLK	ENET2_TX_CLK	3V3	O	RMIi transmit clock
X1_50	E10	LCD_DATA2	LCDIF_DATA2	3V3	O	LCD Pixel Data bit 2
X1_51	A15	ENET2_TXD0	ENET2_TX_DATA0	3V3	O	RMIi transmit data 0
X1_52	A9	LCD_DATA1	LCDIF_DATA1	3V3	O	LCD Pixel Data bit 1
X1_53	A16	ENET2_TXD1	ENET2_TX_DATA1	3V3	O	RMIi transmit data 1
X1_54	B9	LCD_DATA0	LCDIF_DATA0	3V3	O	LCD Pixel Data bit 0
X1_55			NC			Not Connected
X1_56	N8	SNVS_TAMPER5	GPIO5_IO05	3V3	O	LCD backlight enable/disable
X1_57			NC			Not Connected
X1_58	D9	LCD_HSYNC	LCDIF_HSYNC	3V3	O	LCD Horizontal Synchronization
X1_59			GND		P	Ground
X1_60	B8	LCD_ENABLE	LCDIF_ENABLE	3V3	O	LCD dot enable pin signal
X1_61			NC			Not Connected
X1_62	C9	LCD_VSYNC	LCDIF_VSYNC	3V3	O	LCD Vertical Synchronization
X1_63	C17	ENET2_RXD0	ENET2_RX_DATA0	3V3	I	RMIi receive data 0
X1_64	A8	LCD_CLK	LCDIF_CLK	3V3	O	LCD Pixel Clock
X1_65	C16	ENET2_RXD1	ENET2_RX_DATA1	3V3	I	RMIi receive data 1
X1_66	B4	NAND_ALE	PWM3_OUT	3V3	O	LCD Backlight brightness Control
X1_67			NC			Not Connected
X1_68	P14	JTAG_TMS	GPIO1_IO11	3V3	O	LCD Voltage On
X1_69			NC			Not Connected
X1_70			GND		P	Ground

PIN	CPU BALL	CPU PAD NAME	Signal	V	I/O	Description
X2_1			GND		P	Ground
X2_2			GND		P	Ground
X2_3	T10	BOOT_MODE0	BOOT_MODE0	1V8	I	Boot Select pin
X2_4			NC			Not Connected
X2_5	U10	BOOT_MODE1	BOOT_MODE1	1V8	I	Boot Select pin
X2_6			NC			Not Connected
X2_7	B12	LCD_DATA13	BT_CFG13	1V8	I	Boot Select pin
X2_8			GND		P	Ground
X2_9	A12	LCD_DATA14	BT_CFG14	1V8	I	Boot Select pin
X2_10			NC			Not Connected
X2_11			GND		P	Ground
X2_12			NC			Not Connected
X2_13	L14	GPIO1_IO02	I2C1_SCL	3V3	I/O	I ² C bus clock line
X2_14			GND		P	Ground
X2_15	L17	GPIO1_IO03	I2C1_SDA	3V3	I/O	I ² C bus data line
X2_16			NC			Not Connected
X2_17			GND		P	Ground
X2_18			NC			Not Connected
X2_19	F16	ENET1_RXD0	CAN1_TX	3V3	I/O	CAN (controller Area Network) transmit signal
X2_20			GND		P	Ground
X2_21	E17	ENET1_RXD1	CAN1_RX	3V3	I/O	CAN (controller Area Network) receive signal
X2_22			NC			Not Connected
X2_23			GND		P	Ground
X2_24			NC			Not Connected
X2_25	E16	ENET1_RX_EN	CAN2_TX	3V3	I/O	CAN (controller Area Network) transmit signal
X2_26			GND		P	Ground
X2_27	E15	ENET1_TXD0	CAN2_RX	3V3	I/O	CAN (controller Area Network) receive signal
X2_28			NC			Not Connected
X2_29			GND		P	Ground
X2_30			NC			Not Connected
X2_31			NC			Not Connected
X2_32			GND		P	Ground
X2_33			NC			Not Connected
X2_34			NC			Not Connected
X2_35			NC			Not Connected
X2_36			NC			Not Connected
X2_37			NC			Not Connected
X2_38			GND		P	Ground
X2_39			NC			Not Connected
X2_40			NC			Not Connected
X2_41			NC			Not Connected
X2_42			NC			Not Connected
X2_43			NC			Not Connected
X2_44			GND		P	Ground
X2_45			NC			Not Connected

PIN	CPU BALL	CPU PAD NAME	Signal	V	I/O	Description
X2_46	T13	USB_OTG2_DN	USB_OTG2_DN	3V3	I/O	Universal Serial Bus differential pair negative signal
X2_47			NC			Not Connected
X2_48	U13	USB_OTG2_DP	USB_OTG2_DP	3V3	I/O	Universal Serial Bus differential pair positive signal
X2_49			NC			Not Connected
X2_50	U12	USB_OTG2_VBUS	USB_OTG2_VBUS	5V	I/O	Universal Serial Bus power
X2_51			GND		P	Ground
X2_52	R10	SNVS_TAMPER0	GPIO5_IO00	3V3	I	Active low input, to inform USB overcurrent condition (low = overcurrent detected)
X2_53			NC			Not Connected
X2_54			GND		P	Ground
X2_55			NC			Not Connected
X2_56			NC			Not Connected
X2_57			NC			Not Connected
X2_58			NC			Not Connected
X2_59			NC			Not Connected
X2_60			GND		P	Ground
X2_61			NC			Not Connected
X2_62			NC			Not Connected
X2_63			NC			Not Connected
X2_64			NC			Not Connected
X2_65			NC			Not Connected
X2_66			GND		P	Ground
X2_67			NC			Not Connected
X2_68			NC			Not Connected
X2_69			NC			Not Connected
X2_70			NC			Not Connected

6. Hobbitboard Compute Module Pinmux Overview

Many signals on the Hobbitboard can be configured to support other interfaces. The table below gives an overview of all pins that can be modified.

The default operation mode which is compatible with other PICO Compute Modules has been highlighted.

PIN	CPU BALL	PADNAME	MODE0	MODE1	MODE2	MODE3	MODE4	MODE5	MODE6	MODE8
E1_3	K13	GPIO1_IO00	i2c2.SCL	gpt1.CAPTURE1	usb.OTG1_PWR	anatop.ENET_REF_CLK1	mqs.RIGHT	gpio1.IO[0]	enet1.1588.EVENT0_IN	wdog3.WDOG_B
E1_17	R8	ONOFF	src.RESET_B							
E1_19	L15	GPIO1_IO01	i2c2.SDA	gpt1.COMPA RE1	usb.OTG1_O C	anatop.ENET_REF_CLK2	mqs.LEFT	gpio1.IO[1]	enet1.1588.EVENT0_OUT	wdog2.WDOG_B
E1_21	K17	GPIO1_IO06	enet1.MDIO	anatop.ENET_REF_CLK1	usb.OTG_P WR_WAKE	csi.MCLK	usdhc2.WP	gpio1.IO[6]	enet2.1588.EVENT1_IN	uart1.CTS_B
E1_22	E5	CSI_PIXCLK	csi.PIXCLK	usdhc2.WP	rawmand.CE3_B	i2c1.SCL	weim.OE	gpio4.IO[18]	enet1.MDC	uart6.RX
E1_24	F2	CSI_VSYNC	csi.VSYNC	usdhc2.CLK	sim1.PORT1_CLK	i2c2.SDA	weim.RW	gpio4.IO[19]	enet2.MDIO	uart6.RTS_B
E1_25	F3	CSI_HSYNC	csi.HSYNC	usdhc2.CMD	sim1.PORT1_PD	i2c2.SCL	weim.LBA_B	gpio4.IO[20]	enet2.MDC	uart6.CTS_B
E1_26	E4	CSI_DATA00	csi.DATA[2]	usdhc2.DAT A0	sim1.PORT1_RST_B	ecspi2.SCLK	weim.AD[0]	gpio4.IO[21]	wdog3.WDOG_B	uart5.TX
E1_27	F5	CSI_MCLK	csi.MCLK	usdhc2.CD_B	rawmand.CE2_B	i2c1.SDA	weim.CS0_B	gpio4.IO[17]	enet1.MDIO	uart6.TX
E1_28	E3	CSI_DATA01	csi.DATA[3]	usdhc2.DAT A1	sim1.PORT1_SVEN	ecspi2.SS0	weim.AD[1]	gpio4.IO[22]	sai1.MCLK	uart5.RX
E1_30	E2	CSI_DATA02	csi.DATA[4]	usdhc2.DAT A2	sim1.PORT1_TRXD	ecspi2.MOSI	weim.AD[2]	gpio4.IO[23]	sai1.RX_SY NC	uart5.RTS_B
E1_32	E1	CSI_DATA03	csi.DATA[5]	usdhc2.DAT A3	sim2.PORT1_PD	ecspi2.MISO	weim.AD[3]	gpio4.IO[24]	sai1.RX_BCL K	uart5.CTS_B
E1_33	D15	ENET1_RXE R	enet1.RX_E R	uart7.RTS_B	pwm8.OUT	csi.DATA[23]	weim.CRE	gpio2.IO[7]		global wdog
E1_34	K15	UART1_CTS	uart1.CTS_B	enet1.RX_CL K	usdhc1.WP	csi.DATA[4]	kpp.ROW[1]	gpio1.IO[18]	src.INT_BOO T	usdhc2.WP
E1_35	F14	ENET1_TXC LK	enet1.TX_CL K	uart7.CTS_B	pwm7.OUT	csi.DATA[22]	anatop.ENET_REF_CLK2	gpio2.IO[6]		gpt1.CLK
E1_37	J14	UART1_RTS	uart1.RTS_B	enet1.TX_ER	usdhc1.CD_B	csi.DATA[5]	kpp.COL[1]	gpio1.IO[19]	gpt1.CAPTURE1	usdhc2.CD_B
E1_41	F17	UART5_TXD	uart5.TX	enet2.CRS	i2c2.SCL	csi.DATA[14]	kpp.ROW[7]	gpio1.IO[30]	csu.CSU_AL ARM_AUT[0]	ecspi2.MOSI
E1_42	G17	UART4_TXD	uart4.TX	enet2.TDAT A[2]	i2c1.SCL	csi.DATA[12]	kpp.ROW[6]	gpio1.IO[28]	csu.CSU_AL ARM_AUT[2]	ecspi2.SCLK
E1_43	G13	UART5_RXD	uart5.RX	enet2.COL	i2c2.SDA	csi.DATA[15]	kpp.COL[7]	gpio1.IO[31]	csu.CSU_IN T_DEB	ecspi2.MISO
E1_44	G16	UART4_RXD	uart4.RX	enet2.TDAT A[3]	i2c1.SDA	csi.DATA[13]	kpp.COL[6]	gpio1.IO[29]	csu.CSU_AL ARM_AUT[1]	ecspi2.SS0
E1_45	K14	UART1_TXD	uart1.TX	enet1.RDAT A[2]	i2c3.SCL	csi.DATA[2]	kpp.ROW[0]	gpio1.IO[16]	snvs_hp_wra pper.VIO_5_CTL	spdif.OUT
E1_46	H17	UART3_TXD	uart3.TX	enet2.RDAT A[2]	can2.TX	csi.DATA[1]	kpp.ROW[4]	gpio1.IO[24]	gpt1.COMPA RE3	anatop.OTG 1_ID
E1_47	K16	UART1_RXD	uart1.RX	enet1.RDAT A[3]	i2c3.SDA	csi.DATA[3]	kpp.COL[0]	gpio1.IO[17]	snvs_hp_wra pper.VIO_5	spdif.IN
E1_48	P11	SNVS_TAMP ER2	snvs_ip_wra pper.TAMP ER[2]					gpio5.IO[2]		
E1_50	D2	CSI_DATA06	csi.DATA[8]	usdhc2.DAT A6	sim2.PORT1_SVEN	ecspi1.MOSI	weim.AD[6]	gpio4.IO[27]	sai1.RX_DAT A	usdhc1.RES ET_B
E1_52	D3	CSI_DATA05	csi.DATA[7]	usdhc2.DAT A5	sim2.PORT1_RST_B	ecspi1.SS0	weim.AD[5]	gpio4.IO[26]	sai1.TX_BCL K	usdhc1.CD_B
E1_53	J17	UART2_TXD	uart2.TX	enet1.TDAT A[2]	i2c4.SCL	csi.DATA[6]	kpp.ROW[2]	gpio1.IO[20]	gpt1.CAPTURE2	ecspi3.SS0
E1_54	D4	CSI_DATA04	csi.DATA[6]	usdhc2.DAT A4	sim2.PORT1_CLK	ecspi1.SCLK	weim.AD[4]	gpio4.IO[25]	sai1.TX_SYN C	usdhc1.WP
E1_55	J16	UART2_RXD	uart2.RX	enet1.TDAT A[3]	i2c4.SDA	csi.DATA[7]	kpp.COL[2]	gpio1.IO[21]	gpt1.COMPA RE1	ecspi3.SCLK
E1_56	D1	CSI_DATA07	csi.DATA[9]	usdhc2.DAT A7	sim2.PORT1_TRXD	ecspi1.MISO	weim.AD[7]	gpio4.IO[28]	sai1.TX_DAT A	usdhc1.VSE LECT
E1_57	H14	UART2_CTS	uart2.CTS_B	enet1.CRS	sim1.PORT0_PD	csi.DATA[8]	kpp.ROW[3]	gpio1.IO[22]	gpt1.CLK	ecspi3.MOSI
E1_59	J15	UART2_RTS	uart2.RTS_B	enet1.COL	sim2.PORT0_PD	csi.DATA[9]	kpp.COL[3]	gpio1.IO[23]	gpt1.COMPA RE2	ecspi3.MISO
E1_61	H16	UART3_RXD	uart3.RX	enet2.RDAT A[3]	can2.RX	csi.DATA[0]	kpp.COL[4]	gpio1.IO[25]	caam_wrapp er.RNG_OS C_OBS	epit1.OUT
E1_63	G14	UART3_CTS	uart3.CTS_B	enet2.RX_CL K	can1.TX	csi.DATA[10]	kpp.ROW[5]	gpio1.IO[26]	ccm.WAIT	epit2.OUT
E1_65	H15	UART3_RTS	uart3.RTS_B	enet2.TX_ER	can1.RX	csi.DATA[11]	kpp.COL[5]	gpio1.IO[27]	ccm.STOP	wdog1.WDOG_B

HOBBITBOARD HARDWARE MANUAL – VER 1.00 – MAR 28 2016

PIN	CPU BALL	PADNAME	MODE0	MODE1	MODE2	MODE3	MODE4	MODE5	MODE6	MODE8
X1_8	B16	LCD_DATA2_3	lcdif.DATA[2_3]	uart8.RTS_B	ecspi1.MISO	csi.DATA[15]	weim.DATA[15]	gpio3.IQ[28]	src.BT_CFG[31]	usdhc1.DAT_A3
X1_10	A14	LCD_DATA2_2	lcdif.DATA[2_2]	uart8.CTS_B	ecspi1.MOSI	csi.DATA[14]	weim.DATA[14]	gpio3.IQ[27]	src.BT_CFG[30]	usdhc1.DAT_A2
X1_12	B14	LCD_DATA2_1	lcdif.DATA[2_1]	uart8.RX	ecspi1.SS0	csi.DATA[13]	weim.DATA[13]	gpio3.IQ[26]	src.BT_CFG[29]	usdhc1.DAT_A1
X1_14	C14	LCD_DATA2_0	lcdif.DATA[2_0]	uart8.TX	ecspi1.SCLK	csi.DATA[12]	weim.DATA[12]	gpio3.IQ[25]	src.BT_CFG[28]	usdhc1.DAT_A0
X1_16	D14	LCD_DATA1_9	lcdif.DATA[1_9]	uart7.RTS_B	global.wdog	csi.DATA[11]	weim.DATA[11]	gpio3.IQ[24]	src.BT_CFG[27]	usdhc1.CLK
X1_18	A13	LCD_DATA1_8	lcdif.DATA[1_8]	uart7.CTS_B	ca7_platform.EVENT0	csi.DATA[10]	weim.DATA[10]	gpio3.IQ[23]	src.BT_CFG[26]	usdhc1.CMD
X1_20	B13	LCD_DATA1_7	lcdif.DATA[1_7]	uart7.RX	ca7_platform.TRACE_CTL	csi.DATA[9]	weim.DATA[9]	gpio3.IQ[22]	src.BT_CFG[25]	usdhc1.DAT_A7
X1_22	C13	LCD_DATA1_6	lcdif.DATA[1_6]	uart7.TX	ca7_platform.TRACE_CLK	csi.DATA[8]	weim.DATA[8]	gpio3.IQ[21]	src.BT_CFG[24]	usdhc1.DAT_A6
X1_24	D13	LCD_DATA1_5	lcdif.DATA[1_5]	sai3.TX_DATA	ca7_platform.TRACE[15]	csi.DATA[23]	weim.DATA[7]	gpio3.IQ[20]	src.BT_CFG[15]	usdhc1.DAT_A5
X1_26*	A12	LCD_DATA1_4	lcdif.DATA[1_4]	sai3.RX_DATA	ca7_platform.TRACE[14]	csi.DATA[22]	weim.DATA[6]	gpio3.IQ[19]	src.BT_CFG[14]	usdhc1.DAT_A4
X1_28*	B12	LCD_DATA1_3	lcdif.DATA[1_3]	sai3.TX_BCLK	ca7_platform.TRACE[13]	csi.DATA[21]	weim.DATA[5]	gpio3.IQ[18]	src.BT_CFG[13]	usdhc1.RES_ET_B
X1_30	C12	LCD_DATA1_2	lcdif.DATA[1_2]	sai3.TX_SYNC	ca7_platform.TRACE[12]	csi.DATA[20]	weim.DATA[4]	gpio3.IQ[17]	src.BT_CFG[12]	ecspi1.RDY
X1_32	D12	LCD_DATA1_1	lcdif.DATA[1_1]	sai3.RX_BCLK	ca7_platform.TRACE[11]	csi.DATA[19]	weim.DATA[3]	gpio3.IQ[16]	src.BT_CFG[11]	can2.RX
X1_33	F15	ENET1_TXEN	enet1.TX_EN	uart6.RTS_B	pwm6.OUT	csi.DATA[21]	enet2.MDC	gpio2.IQ[5]		mqs.LEFT
X1_34	E12	LCD_DATA1_0	lcdif.DATA[1_0]	sai3.RX_SYNC	ca7_platform.TRACE[10]	csi.DATA[18]	weim.DATA[2]	gpio3.IQ[15]	src.BT_CFG[10]	can2.TX
X1_35	E14	ENET1_TXD1	enet1.TDATAB[1]	uart6.CTS_B	pwm5.OUT	csi.DATA[20]	enet2.MDIO	gpio2.IQ[4]		GPIO1_IO04
X1_36	A11	LCD_DATA0_9	lcdif.DATA[9]	sai3.MCLK	ca7_platform.TRACE[9]	csi.DATA[17]	weim.DATA[1]	gpio3.IQ[14]	src.BT_CFG[9]	can1.RX
X1_37	D16	ENET2_RXER	enet2.RX_ER	uart8.RTS_B	sim2.PORT0_SVEN	ecspi4.SS0	weim.ADDR[25]	gpio2.IQ[15]		global.wdog
X1_38	B11	LCD_DATA0_8	lcdif.DATA[8]	spdif.IN	ca7_platform.TRACE[8]	csi.DATA[16]	weim.DATA[0]	gpio3.IQ[13]	src.BT_CFG[8]	can1.TX
X1_39	N11	SNVS_TAMPER6	snvs_ip_wapper.TAMPER[6]					gpio5.IQ[6]		
X1_40	D11	LCD_DATA0_7	lcdif.DATA[7]	pwm8.OUT	ca7_platform.TRACE[7]	enet2.1588_EVENT3_OUT	spdif.EXT_CLK	gpio3.IQ[12]	src.BT_CFG[7]	ecspi1.SS3
X1_41	L16	GPIO1_IO07	enet1.MDC	anatop.ENET_REF_CLK2	usb.OTG_HOST_MODE	csi.PIXCLK	usdhc2.CD_B	gpio1.IQ[7]	enet2.1588_EVENT1_OUT	uart1.RTS_B
X1_42	A10	LCD_DATA0_6	lcdif.DATA[6]	pwm7.OUT	ca7_platform.TRACE[6]	enet2.1588_EVENT3_IN	spdif.LOCK	gpio3.IQ[11]	src.BT_CFG[6]	ecspi1.SS2
X1_43	B15	ENET2_TXEN	enet2.TX_EN	uart8.RX	sim2.PORT0_CLK	ecspi4.MOSI	weim.ACLK_FREERUN	gpio2.IQ[13]		usb.OTG2_OC
X1_44	B10	LCD_DATA0_5	lcdif.DATA[5]	pwm6.OUT	ca7_platform.TRACE[5]	enet2.1588_EVENT2_OUT	spdif.OUT	gpio3.IQ[10]	src.BT_CFG[5]	ecspi1.SS1
X1_45	B17	ENET2_CRSDV	enet2.RX_EN	uart7.TX	sim1.PORT0_RST_B	i2c4.SCL	weim.ADDR[26]	gpio2.IQ[10]		usb.OTG1_PWR
X1_46	C10	LCD_DATA0_4	lcdif.DATA[4]	pwm5.OUT	ca7_platform.TRACE[4]	enet2.1588_EVENT2_IN	spdif.SR_CLK	gpio3.IQ[9]	src.BT_CFG[4]	sai1.TX_DATA
X1_48	D10	LCD_DATA0_3	lcdif.DATA[3]	pwm4.OUT	ca7_platform.TRACE[3]	enet1.1588_EVENT3_OUT	i2c4.SCL	gpio3.IQ[8]	src.BT_CFG[3]	sai1.RX_DATA
X1_49	D17	ENET2_TXCLK	enet2.TX_CLK	uart8.CTS_B	sim2.PORT0_RST_B	ecspi4.MISO	anatop.ENET_REF_CLK1	gpio2.IQ[14]		anatop.OTG2_ID
X1_50	E10	LCD_DATA0_2	lcdif.DATA[2]	pwm3.OUT	ca7_platform.TRACE[2]	enet1.1588_EVENT3_IN	i2c4.SDA	gpio3.IQ[7]	src.BT_CFG[2]	sai1.TX_BCLK
X1_51	A15	ENET2_TXD0	enet2.TDATAB[0]	uart7.RX	sim1.PORT0_SVEN	i2c4.SDA	weim.EB_B[2]	gpio2.IQ[11]		usb.OTG1_OC
X1_52	A9	LCD_DATA0_1	lcdif.DATA[1]	pwm2.OUT	ca7_platform.TRACE[1]	enet1.1588_EVENT2_OUT	i2c3.SCL	gpio3.IQ[6]	src.BT_CFG[1]	sai1.TX_SYNC
X1_53	A16	ENET2_TXD1	enet2.TDATAB[1]	uart8.TX	sim2.PORT0_TRXD	ecspi4.SCLK	weim.EB_B[3]	gpio2.IQ[12]		usb.OTG2_PWR
X1_54	B9	LCD_DATA0_0	lcdif.DATA[0]	pwm1.OUT	ca7_platform.TRACE[0]	enet1.1588_EVENT2_IN	i2c3.SDA	gpio3.IQ[5]	src.BT_CFG[0]	sai1.MCLK
X1_56	N8	SNVS_TAMPER5	snvs_ip_wapper.TAMPER[5]					gpio5.IQ[5]		
X1_58	D9	LCD_HSYNC	lcdif.HSYNC	lcdif.RS	uart4.CTS_B	sai3.TX_BCLK	wdog3.WDOG_RST_B_D	gpio3.IQ[2]		ecspi2.SS1
X1_60	B8	LCD_ENABLER	lcdif.ENABLE	lcdif.RD_E	uart4.RX	sai3.TX_SYNC	weim.CS3_B	gpio3.IQ[1]		ecspi2.RDY
X1_62	C9	LCD_VSYNC	lcdif.VSYNC	lcdif.BUSY	uart4.RTS_B	sai3.RX_DATA	wdog2.WDOG_G_B	gpio3.IQ[3]		ecspi2.SS2
X1_63	C17	ENET2_RXD0	enet2.RDATAB[0]	uart6.TX	sim1.PORT0_TRXD	i2c3.SCL	enet1.MDIO	gpio2.IQ[8]		wdog1.WDOG_RST_B_D
X1_64	A8	LCD_CLK	lcdif.CLK	lcdif.WR_RWN	uart4.TX	sai3.MCLK	weim.CS2_B	gpio3.IQ[0]		wdog1.WDOG_RST_B_D
X1_65	C16	ENET2_RXD1	enet2.RDATAB[1]	uart6.RX	sim1.PORT0_CLK	i2c3.SDA	enet1.MDC	gpio2.IQ[9]		wdog2.WDOG_RST_B_D
X1_66	B4	NAND_ALE	rawnand.ALE	usdhc2.RES_ET_B	qspiA_DQS	pwm3.OUT	weim.ADDR[17]	gpio4.IQ[10]		ecspi3.SS1
X1_68	P14	JTAG_TMS	sjc.TMS	gpt2.CAPTURE1	sai2.MCLK	com.CLK01	com.WAIT	gpio1.IQ[11]	sdma.EXT_EVENT[1]	epi1.OUT

HOBBITBOARD HARDWARE MANUAL – VER 1.00 – MAR 28 2016

PIN	CPU BALL	PADNAME	MODE0	MODE1	MODE2	MODE3	MODE4	MODE5	MODE6	MODE8
X2_3	T10	BOOT_MODE0	src.BOOT_MODE[0]					gpio5.IQ[11]		
X2_5	U10	BOOT_MODE1	src.BOOT_MODE[1]					gpio5.IQ[12]		
X2_7*	B12	LCD_DATA13	lcdif.DATA[13]	sai3.TX_BCLK	ca7_platform.TRACE[13]	csi.DATA[21]	weim.DATA[5]	gpio3.IQ[18]	src.BT_CFG[13]	usdhc1.RES_ET_B
X2_9*	A12	LCD_DATA14	lcdif.DATA[14]	sai3.RX_DATA	ca7_platform.TRACE[14]	csi.DATA[22]	weim.DATA[6]	gpio3.IQ[19]	src.BT_CFG[14]	usdhc1.DAT_A4
X2_13**	L14	GPIO1_IO02	i2c1.SCL	gpt1.COMPARE2	usb.OTG2_PWR	anatop.ENET_REF_CLK_25M	usdhc1.WP	gpio1.IQ[2]	enet1.1588_EVENT1_IN	uart1.TX
X2_15**	L17	GPIO1_IO03	i2c1.SDA	gpt1.COMPARE3	usb.OTG2_OC	osc32k.32K_OUT	usdhc1.CD_B	gpio1.IQ[3]	enet1.1588_EVENT1_OUT	uart1.RX
X2_19	F16	ENET1_RXD0	enet1.RDATA[0]	uart4.RTS_B	pwm1.OUT	csi.DATA[16]	can1.TX	gpio2.IQ[0]		usdhc1.LCTL
X2_21	E17	ENET1_RXD1	enet1.RDATA[1]	uart4.CTS_B	pwm2.OUT	csi.DATA[17]	can1.RX	gpio2.IQ[1]		usdhc2.LCTL
X2_25	E16	ENET1_CRSDV	enet1.RX_EN	uart5.RTS_B	osc32k.32K_OUT	csi.DATA[18]	can2.TX	gpio2.IQ[2]		usdhc1.VSELECT
X2_27	E15	ENET1_TXD0	enet1.TDATA[0]	uart5.CTS_B	anatop.24M_OUT	csi.DATA[19]	can2.RX	gpio2.IQ[3]		usdhc2.VSELECT
X2_52	R10	SNVS_TAMPER0	snvs_ip_wrapper.TAMPER[0]					gpio5.IQ[0]		

NOTE*: Pin X1_26 and X1_28 are also routed to pin X2_7 and X2_9

NOTE**: Pin X2_13 and X2_15 can only be used for I²C function and should not be used in another pinmux mode.

7. Disclaimer and Important Notice

Wandboard.org reserve the right to make corrections, modifications, enhancements, improvements, and other changes to its products and services at any time and to discontinue any product or service without notice. Customers should obtain the latest relevant information before placing orders and should verify that such information is current and complete. All products are sold subject to Wandboard.org terms and conditions of sale supplied at the time of order acknowledgment.

Wandboard.org warrants performance of its hardware products to the specifications applicable at the time of sale in accordance with Wandboard.org standard warranty. Testing and other quality control techniques are used to the extent Wandboard.org deems necessary to support this warranty. Except where mandated by government requirements, testing of all parameters of each product is not necessarily performed.

Wandboard.org assumes no liability for applications assistance or customer product design. Customers are responsible for their products and applications using Wandboard.org components. To minimize the risks associated with customer products and applications, customers should provide adequate design and operating safeguards.

Wandboard.org does not warrant or represent that any license, either express or implied, is granted under any Wandboard.org patent right, copyright, mask work right, or other Wandboard.org intellectual property right relating to any combination, machine, or process in which Wandboard.org products or services are used. Information published by Wandboard.org regarding third-party products or services does not constitute a license from Wandboard.org to use such products or services or a warranty or endorsement thereof. Use of such information may require a license from a third party under the patents or other intellectual property of the third party, or a license from Wandboard.org under the patents or other intellectual property of Wandboard.org.

Wandboard.org products are not authorized for use in safety-critical applications (such as life support) where a failure of the Wandboard.org product would reasonably be expected to cause severe personal injury or death, unless officers of the parties have executed an agreement specifically governing such use. Buyers represent that they have all necessary expertise in the safety and regulatory ramifications of their applications, and acknowledge and agree that they are solely responsible for all legal, regulatory and safety-related requirements concerning their products and any use of Wandboard.org products in such safety-critical applications, notwithstanding any applications-related information or support that may be provided by Wandboard.org. Further, Buyers must fully indemnify Wandboard.org and its representatives against any damages arising out of the use of Wandboard.org products in such safety-critical applications.

Wandboard.org products are neither designed nor intended for use in military/aerospace applications or environments unless the Wandboard.org products are specifically designated by Wandboard.org as military grade or "enhanced plastic." Only products designated by Wandboard.org as military-grade meet military specifications. Buyers acknowledge and agree that any such use of Wandboard.org products which Wandboard.org has not designated as military-grade is solely at the Buyer's risk, and that they are solely responsible for compliance with all legal and regulatory requirements in connection with such use.

Wandboard.org products are neither designed nor intended for use in automotive applications or environments unless the specific Wandboard.org products are designated by Wandboard.org as compliant with ISO/TS 16949 requirements. Buyers acknowledge and agree that, if they use any non-designated products in automotive applications, Wandboard.org will not be responsible for any failure to meet such requirements.

8. Schematics

WANDBOARD DESIGN AND DISCLAIMER

These design materials referred to in this document are *NOT SUPPORTED* and DO NOT constitute a reference design. "Community" support is available via resources at Wandboard.org forums.

THERE IS NO WARRANTY FOR THE DESIGN MATERIALS, TO THE EXTENT PERMITTED BY APPLICABLE LAW. EXCEPT WHEN OTHERWISE STATED IN WRITING THE COPYRIGHT HOLDERS AND/OR OTHER PARTIES PROVIDE THE DESIGN MATERIALS "AS IS" WITHOUT WARRANTY OF ANY KIND, EITHER EXPRESSED OR IMPLIED, INCLUDING, BUT NOT LIMITED TO, THE IMPLIED WARRANTIES OF MERCHANTABILITY AND FITNESS FOR A PARTICULAR PURPOSE. THE ENTIRE RISK AS TO THE QUALITY AND PERFORMANCE OF THE DESIGN MATERIALS IS WITH YOU. SHOULD THE DESIGN MATERIALS PROVE DEFECTIVE, YOU ASSUME THE COST OF ALL NECESSARY SERVICING, REPAIR OR CORRECTION.

This board was designed as an evaluation and development tool. It was not designed with any other application in mind. As such, these design materials may or may not be suitable for any other purposes. If used, the design material becomes your responsibility as to whether or not it meets your specific needs or your specific applications and may require changes to meet your requirements.

On the following pages you will find the schematics of the PICO-IMX6UL-EMMC Compute Module and the PICO-HOBBIT Carrier Baseboard.

Components marked with -x are not populated.

PICO-IMX6UL-EMMC REV:A1

L=10, 37 x 40mm

PAGE TITLE

P01 Index

P02 IMX6UL PWR

P03 IMX6UL DDR3L

P04 IMX6UL PERI

P05 IMX6UL PERII

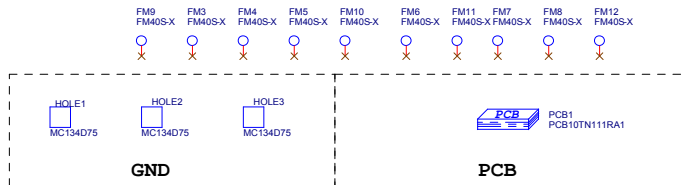
P06 WLAN AP6335

P07 PC32PF3000A7EP

P08 Expansion CONN.

WANDBOARD DESIGN AND DISCLAIMER

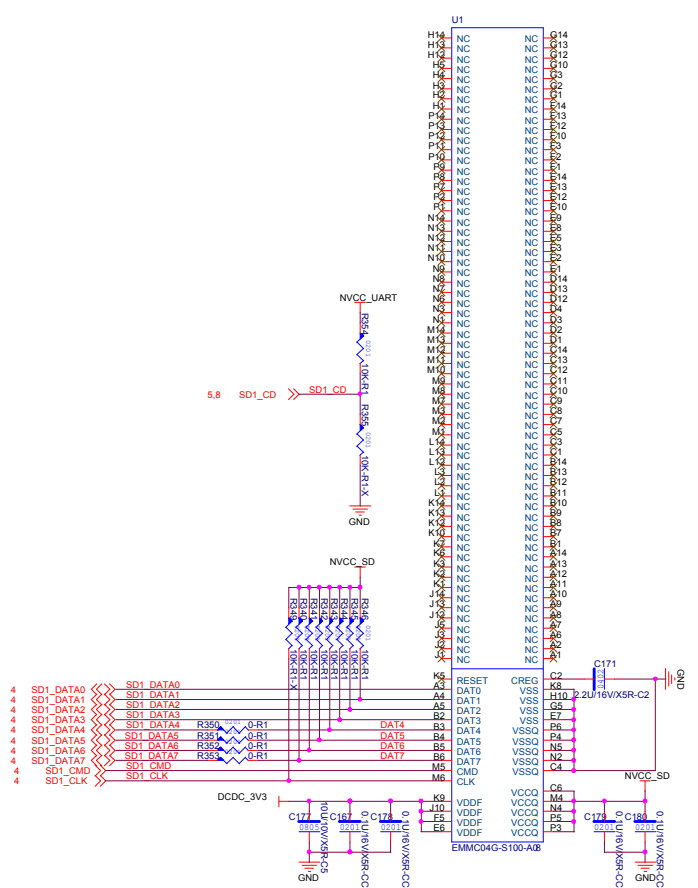
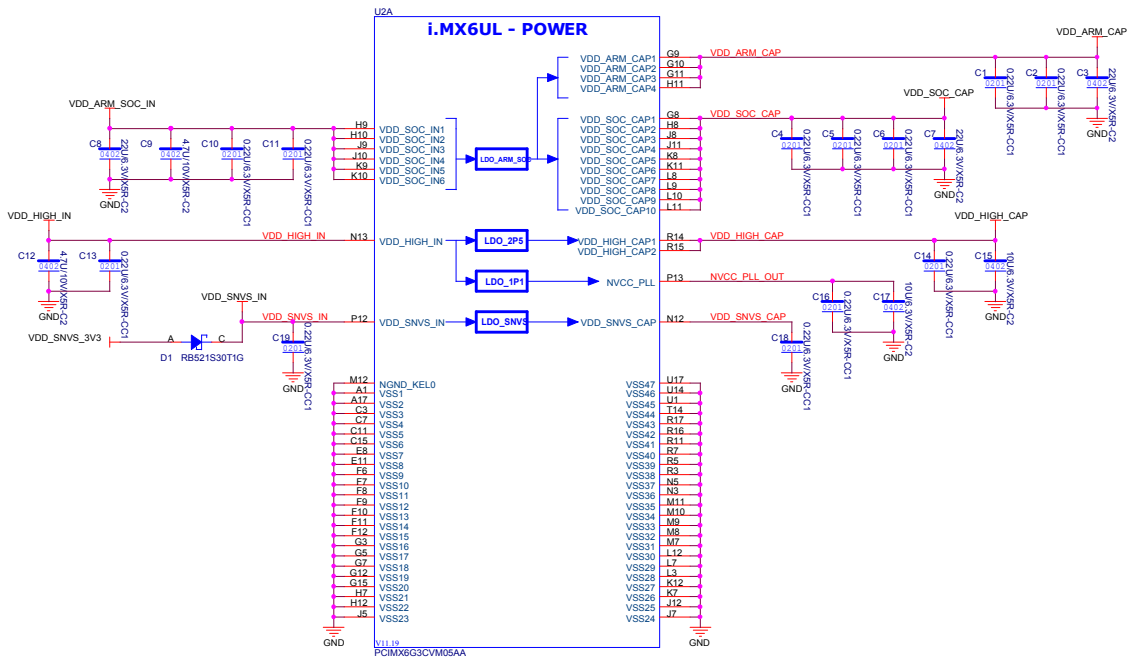
THERE IS NO WARRANTY FOR THE DESIGN MATERIALS, TO THE EXTENT PERMITTED BY APPLICABLE LAW. EXCEPT WHEN OTHERWISE STATED IN WRITING THE COPYRIGHT HOLDERS AND/OR OTHER PARTIES PROVIDE THE DESIGN MATERIALS "AS IS" WITHOUT WARRANTY OF ANY KIND, EITHER EXPRESSED OR IMPLIED, INCLUDING, BUT NOT LIMITED TO, THE IMPLIED WARRANTIES OF MERCHANTABILITY AND FITNESS FOR A PARTICULAR PURPOSE. THE ENTIRE RISK AS TO THE QUALITY AND PERFORMANCE OF THE DESIGN MATERIALS IS WITH YOU. SHOULD THE DESIGN MATERIALS PROVE DEFECTIVE, YOU ASSUME THE COST OF ALL NECESSARY SERVICING, REPAIR OR CORRECTION.



Components marked -X are not populated (DNP)

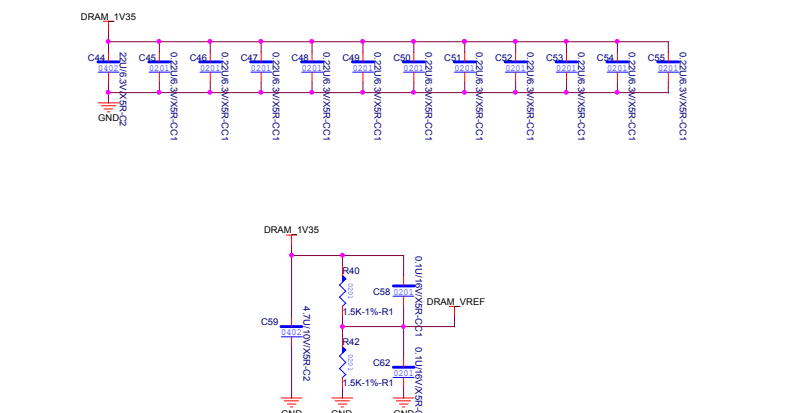
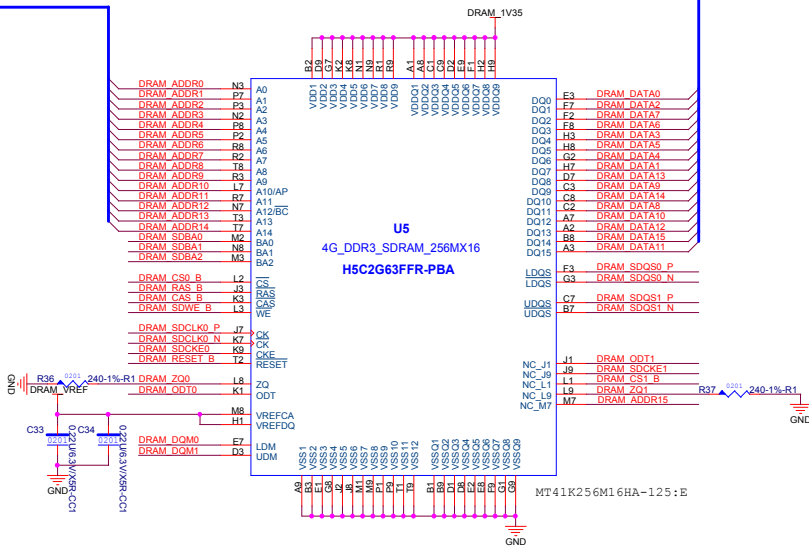
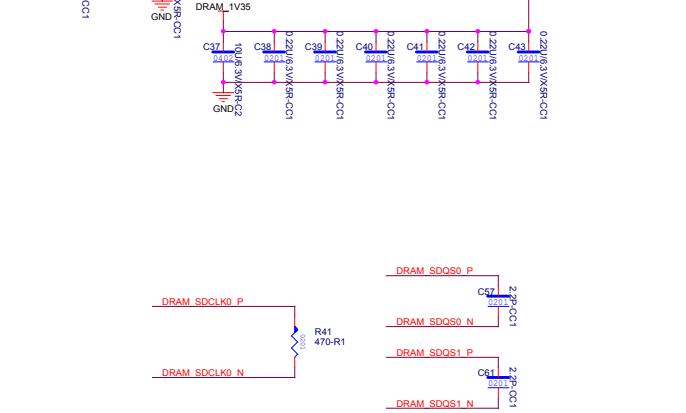
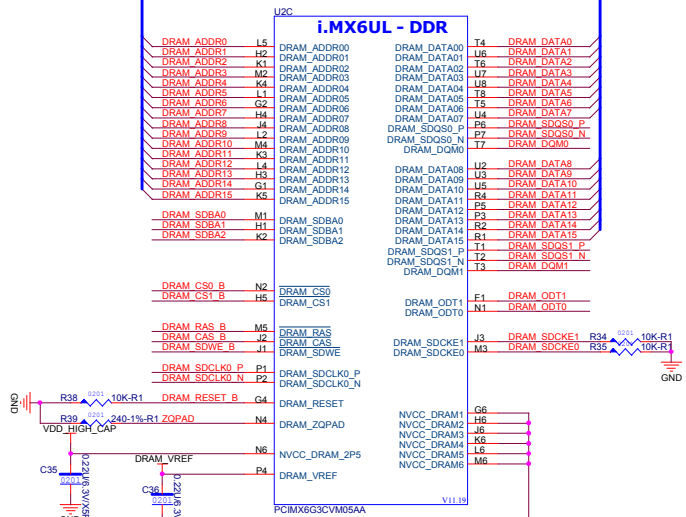
WANDBOARD.ORG

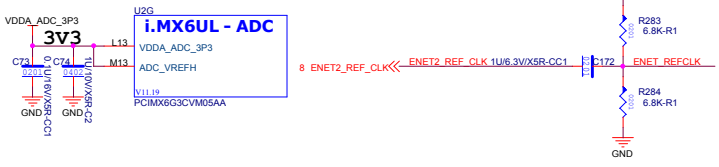
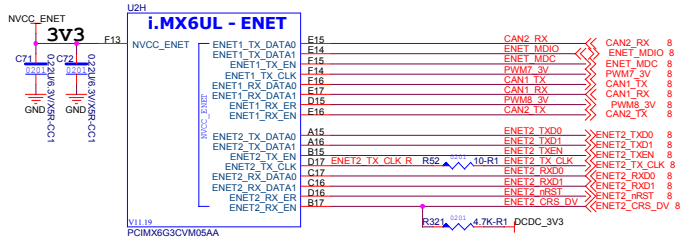
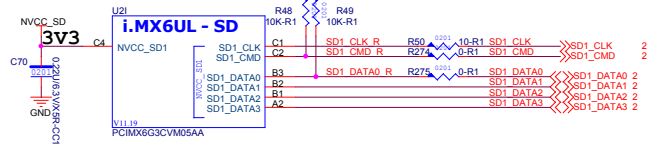
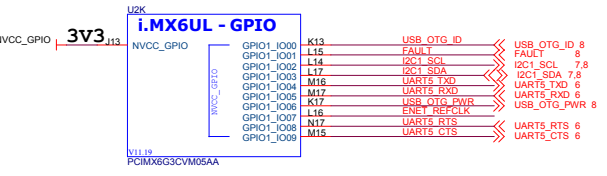
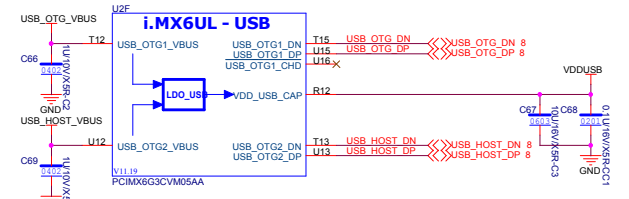
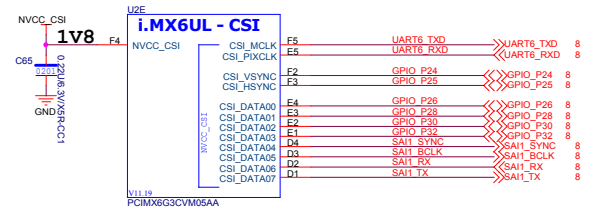
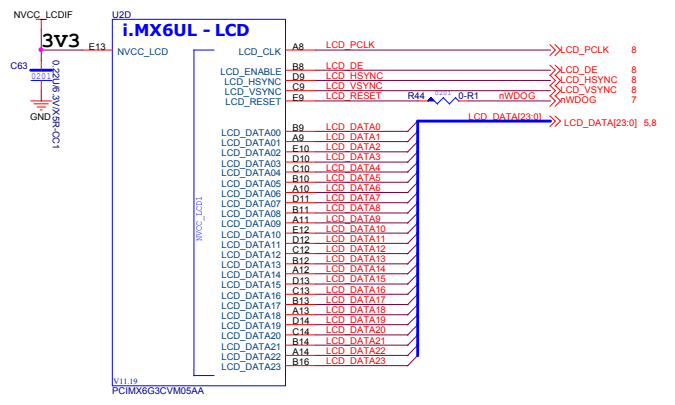
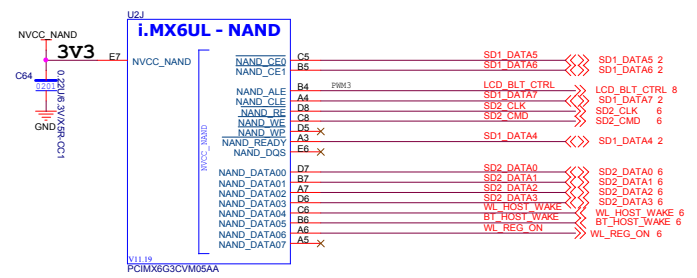
Title	INDEX		
Size	Document Number	Rev	
C	PICO-IMX6UL-EMMC	A1	
Date	Monday, March 14, 2016	Sheet	1 of 8

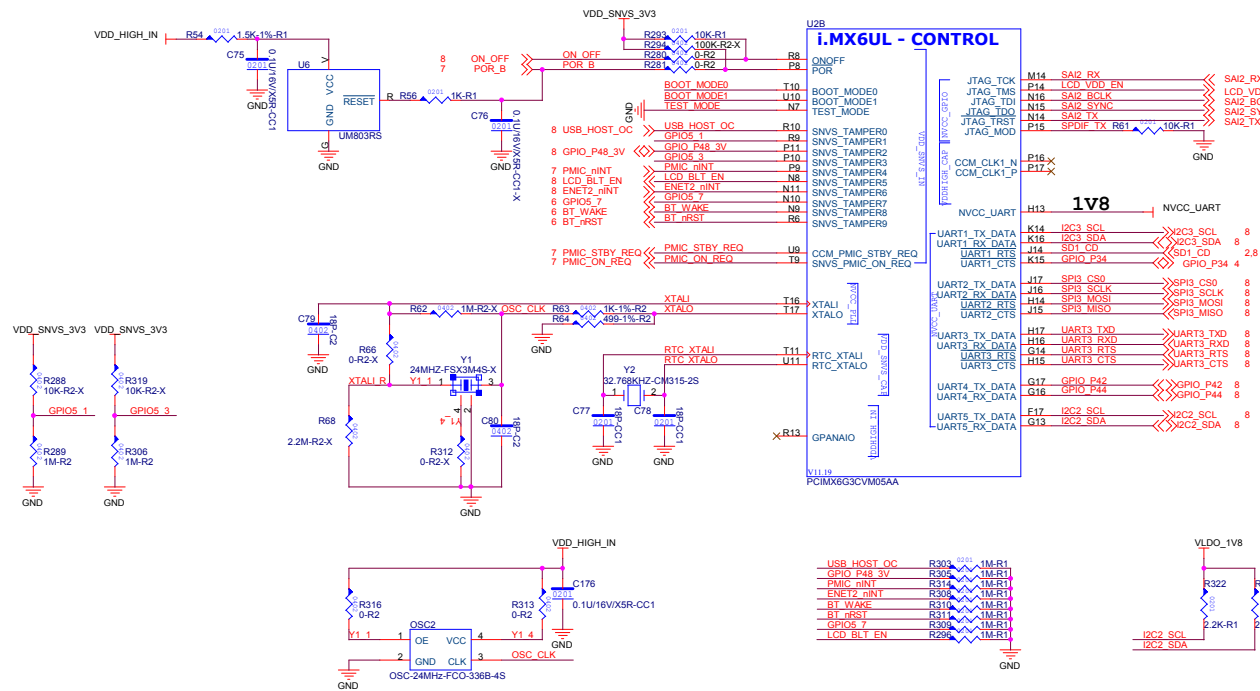


DRAM_DATA[0:15]

DRAM_ADDR[0:15]

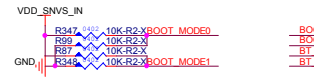






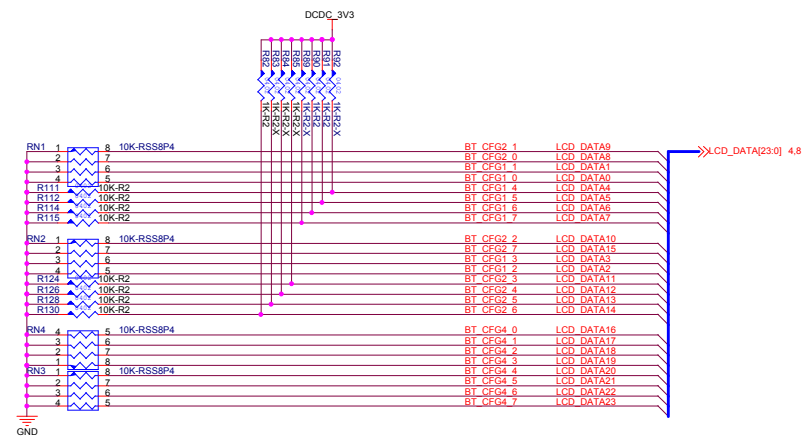
IMX6UL BOOT TYPE

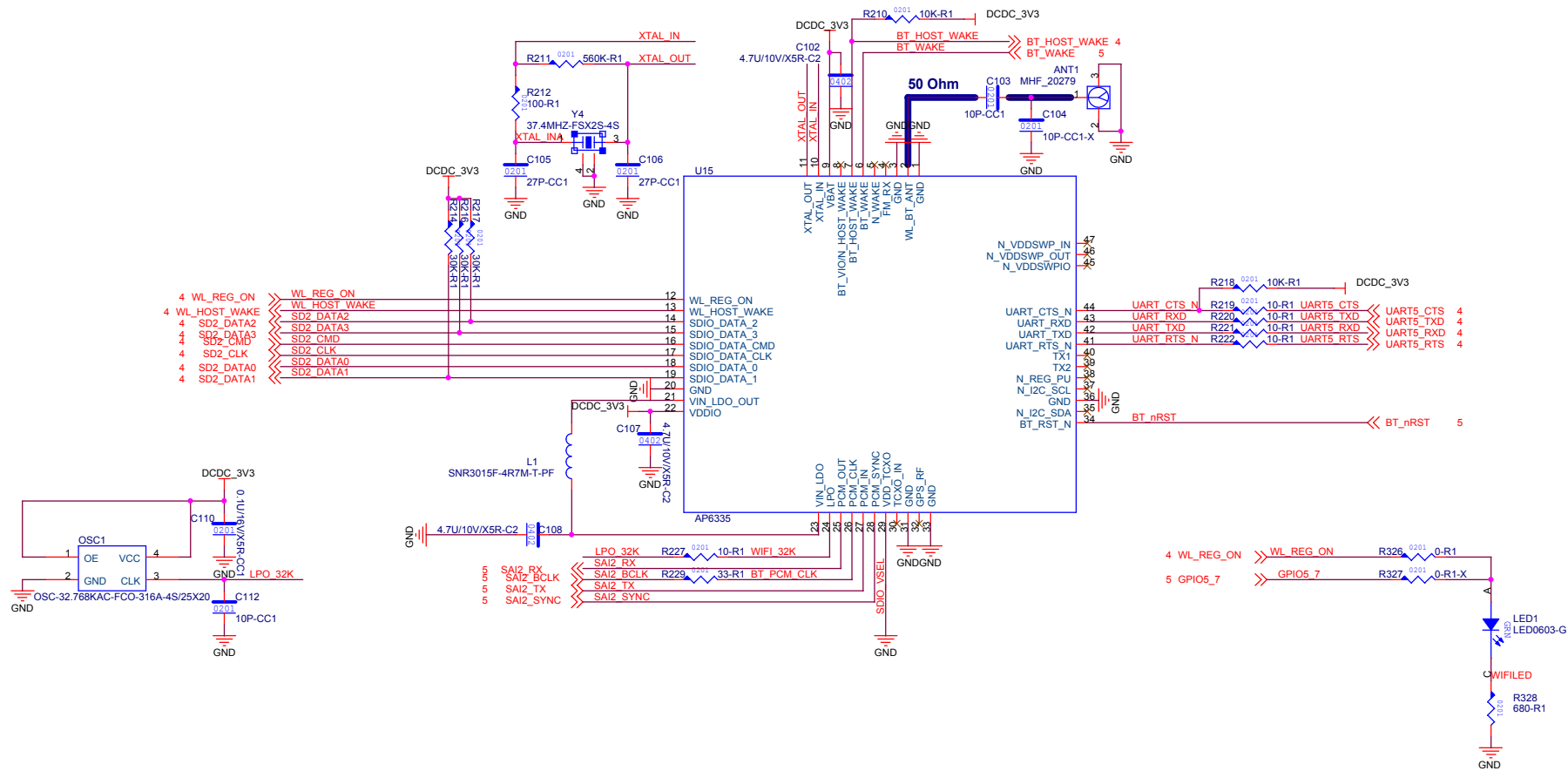
MODE0	MODE1	EMODE[0:1]
Hi	LOW	Serial Downloader
LOW	Hi	Internal Boot

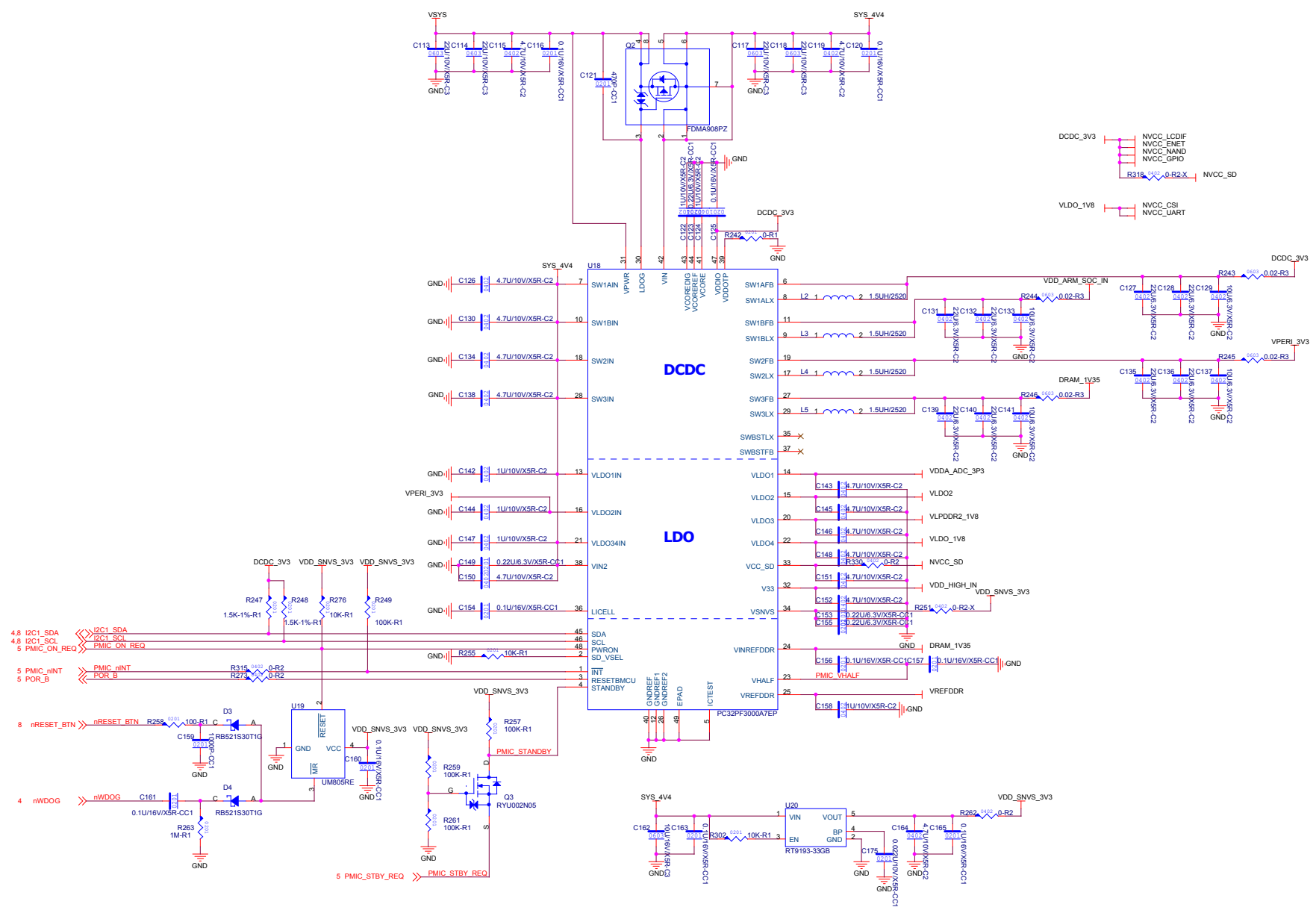


Boot Config Select

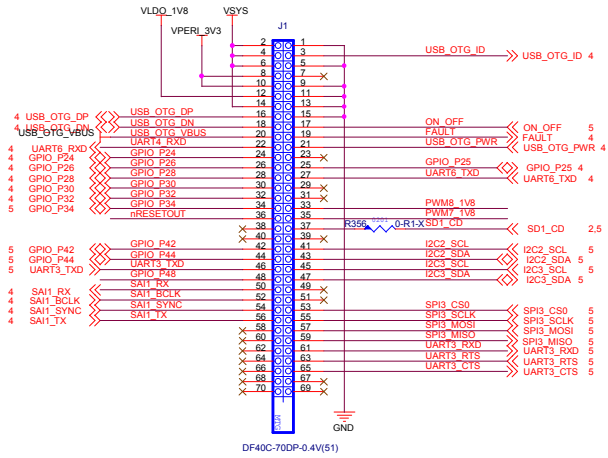
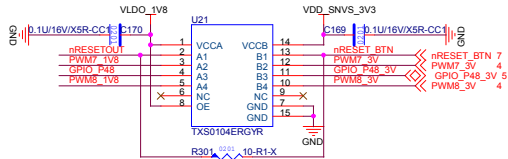
Boot Mode	CFG1_7	CFG1_6	CFG1_5	CFG1_4	CFG2_6	CFG2_5	CFG2_4	CFG2_3
SD1	0	1	0	1	0	1	0	0
eMMC (DEFAULT)	0	1	1	0	1	0	0	0





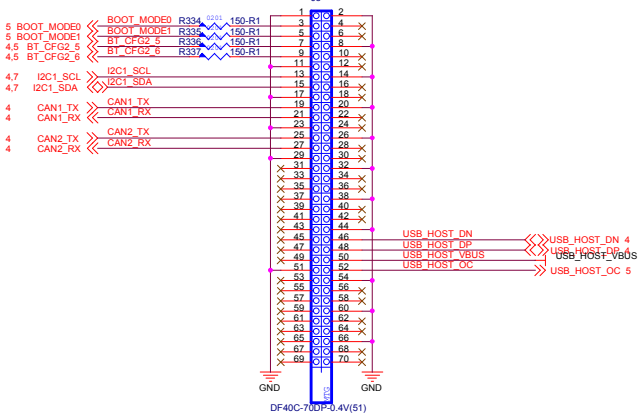
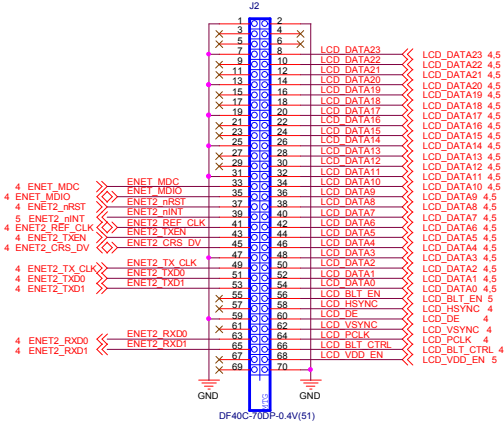


- 4.8 I2C1_SDA <<> I2C1_SDA
- 4.8 I2C1_SCL <<> I2C1_SCL
- 5 PMIC_ON_REQ <<> PMIC_ON_REQ
- 5 PMIC_nINT <<> PMIC_nINT
- 5 POR_B <<> POR_B
- 8 nRESET_BTN <<> nRESET_BTN
- 4 nWDOG <<> nWDOG
- 5 PMIC_STBY_REQ <<> PMIC_STBY_REQ



IMX6UL BOOT TYPE

BMODE[0:1]		BOOT TYPE	
J3pin3	J3pin5		
Hi	LOW	Serial Downloader	
LOW	Hi	Internal Boot	



HOBBIT6UL-BB REV:A1

L=6, 100 x 45 mm

PAGE TITLE

P01 Index

P02 Expansion CONN.

P03 IO LEVEL SHIFT

P04 DC-DC & M-SD

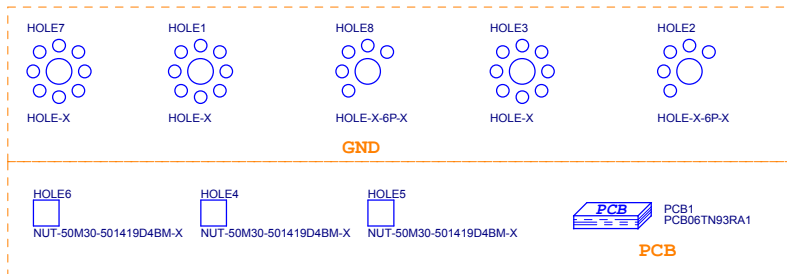
P05 Audio & HEADER

P06 RMII / RGMII

P07 HOST & Client USB

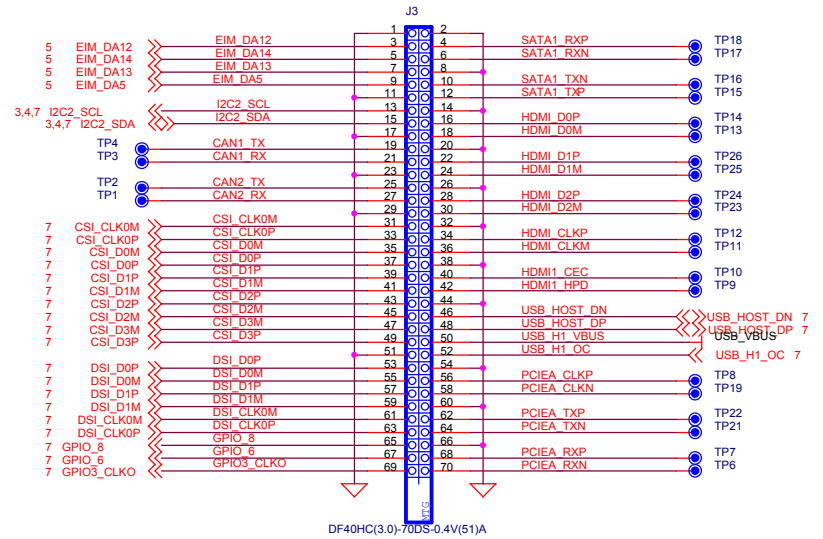
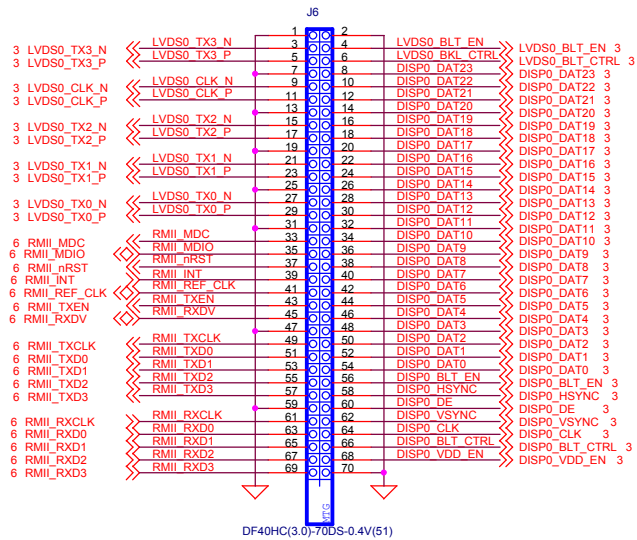
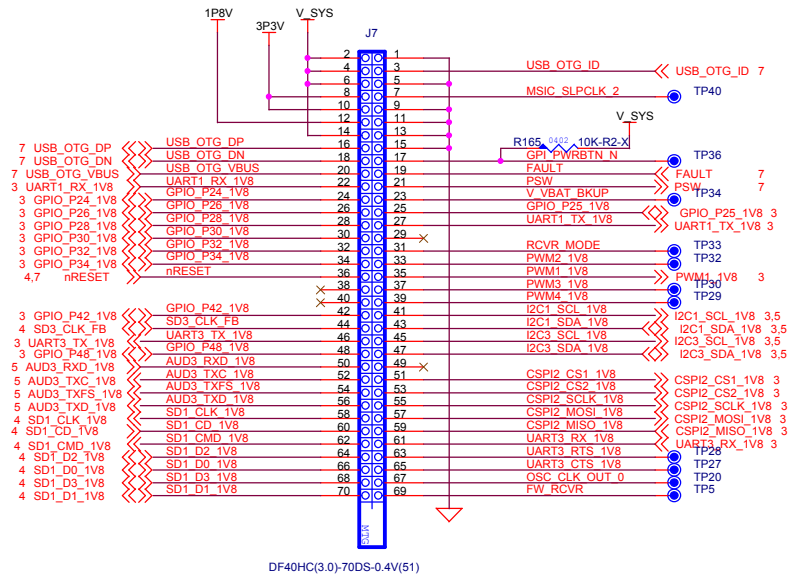
WANDBOARD DESIGN AND DISCLAIMER

THERE IS NO WARRANTY FOR THE DESIGN MATERIALS, TO THE EXTENT PERMITTED BY APPLICABLE LAW. EXCEPT WHEN OTHERWISE STATED IN WRITING THE COPYRIGHT HOLDERS AND/OR OTHER PARTIES PROVIDE THE DESIGN MATERIALS "AS IS" WITHOUT WARRANTY OF ANY KIND, EITHER EXPRESSED OR IMPLIED, INCLUDING, BUT NOT LIMITED TO, THE IMPLIED WARRANTIES OF MERCHANTABILITY AND FITNESS FOR A PARTICULAR PURPOSE. THE ENTIRE RISK AS TO THE QUALITY AND PERFORMANCE OF THE DESIGN MATERIALS IS WITH YOU. SHOULD THE DESIGN MATERIALS PROVE DEFECTIVE, YOU ASSUME THE COST OF ALL NECESSARY SERVICING, REPAIR OR CORRECTION.

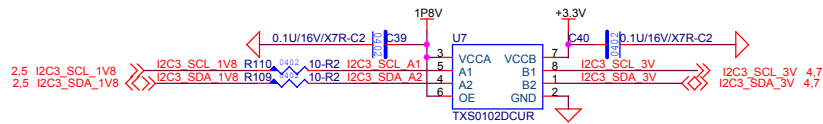
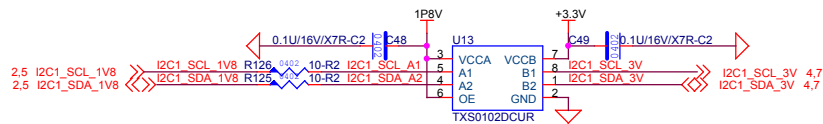
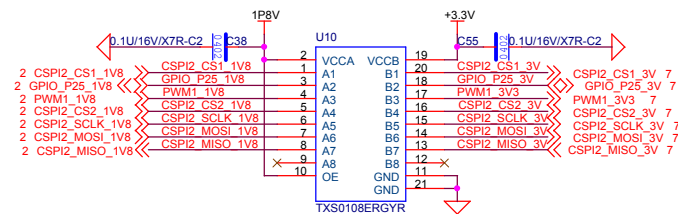
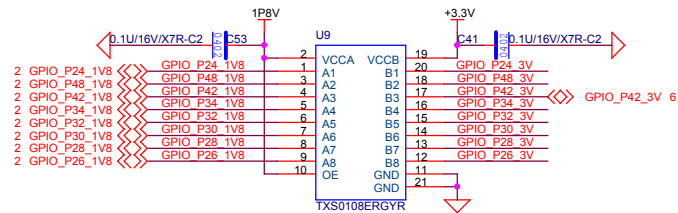
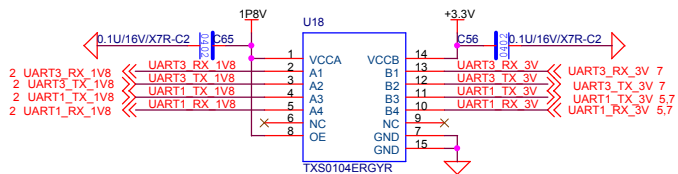


Components marked -X means not populated. (DNP)

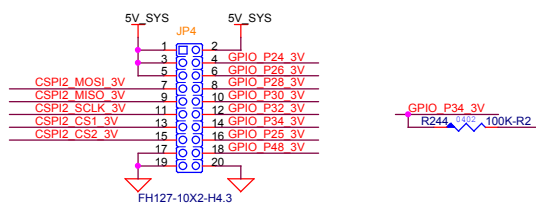
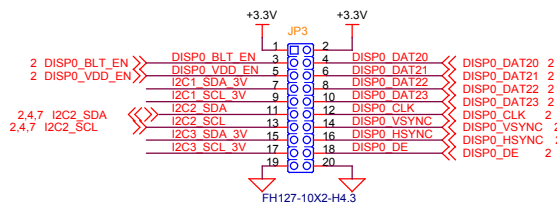
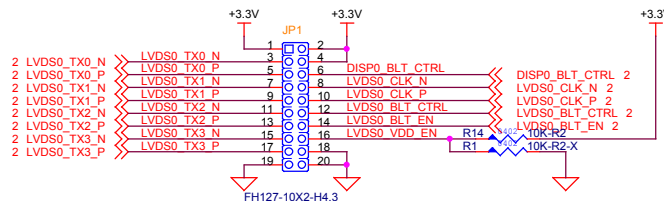
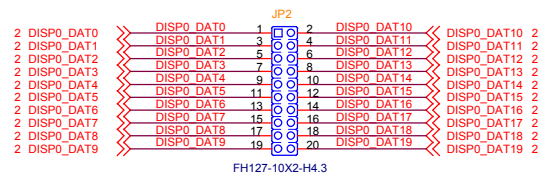
WANDBOARD.ORG		
Title INDEX		
Size Custom	Document Number HOBBIT6UL-BB	Rev A1
Date: Monday, March 14, 2016	Sheet 1	of 7



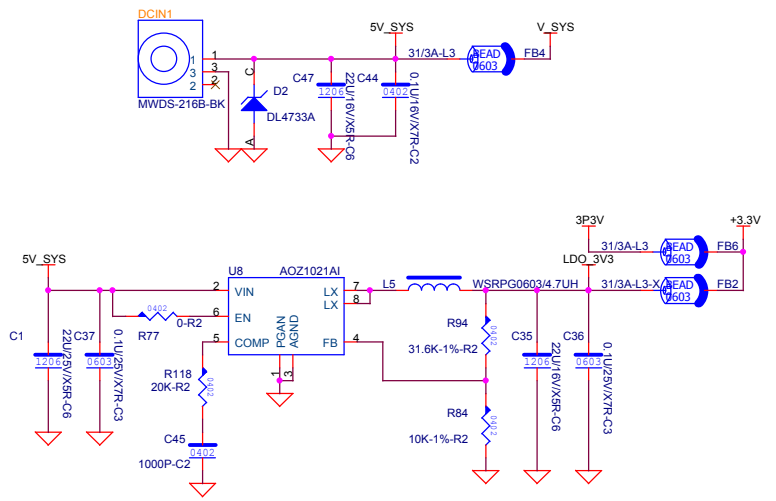
I/O LEVEL SHIFT



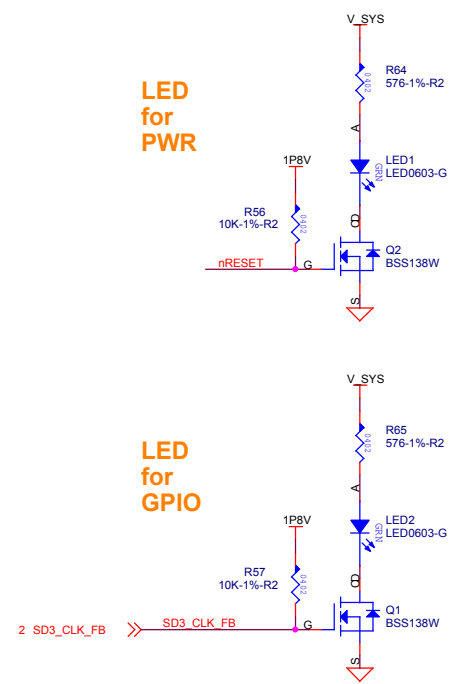
Expansion headers



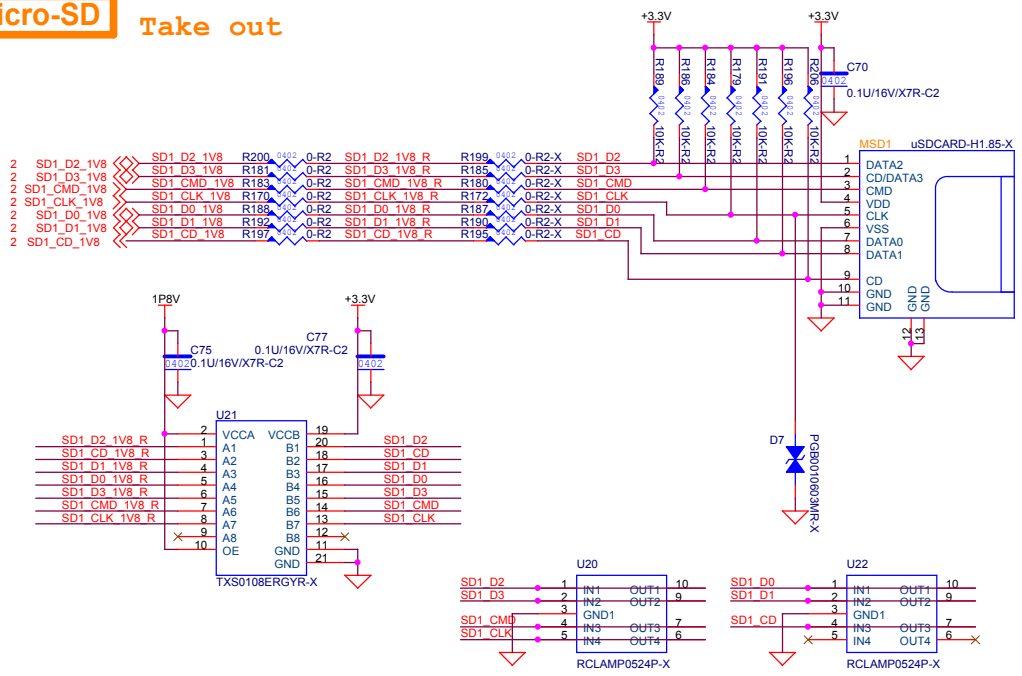
DC-DC



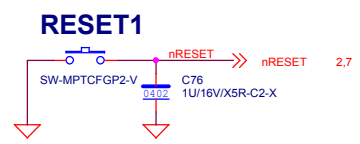
LED



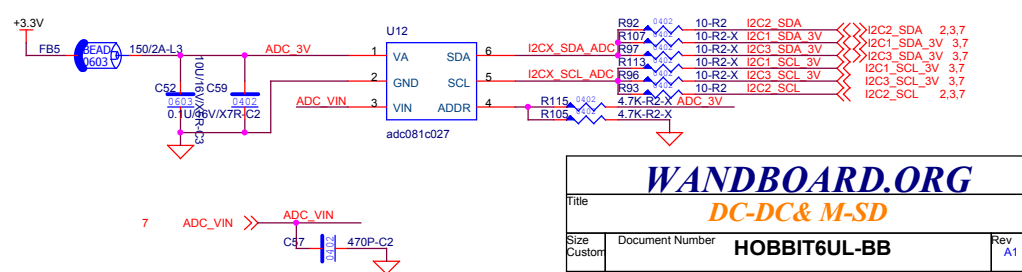
Micro-SD Take out



BUTTON

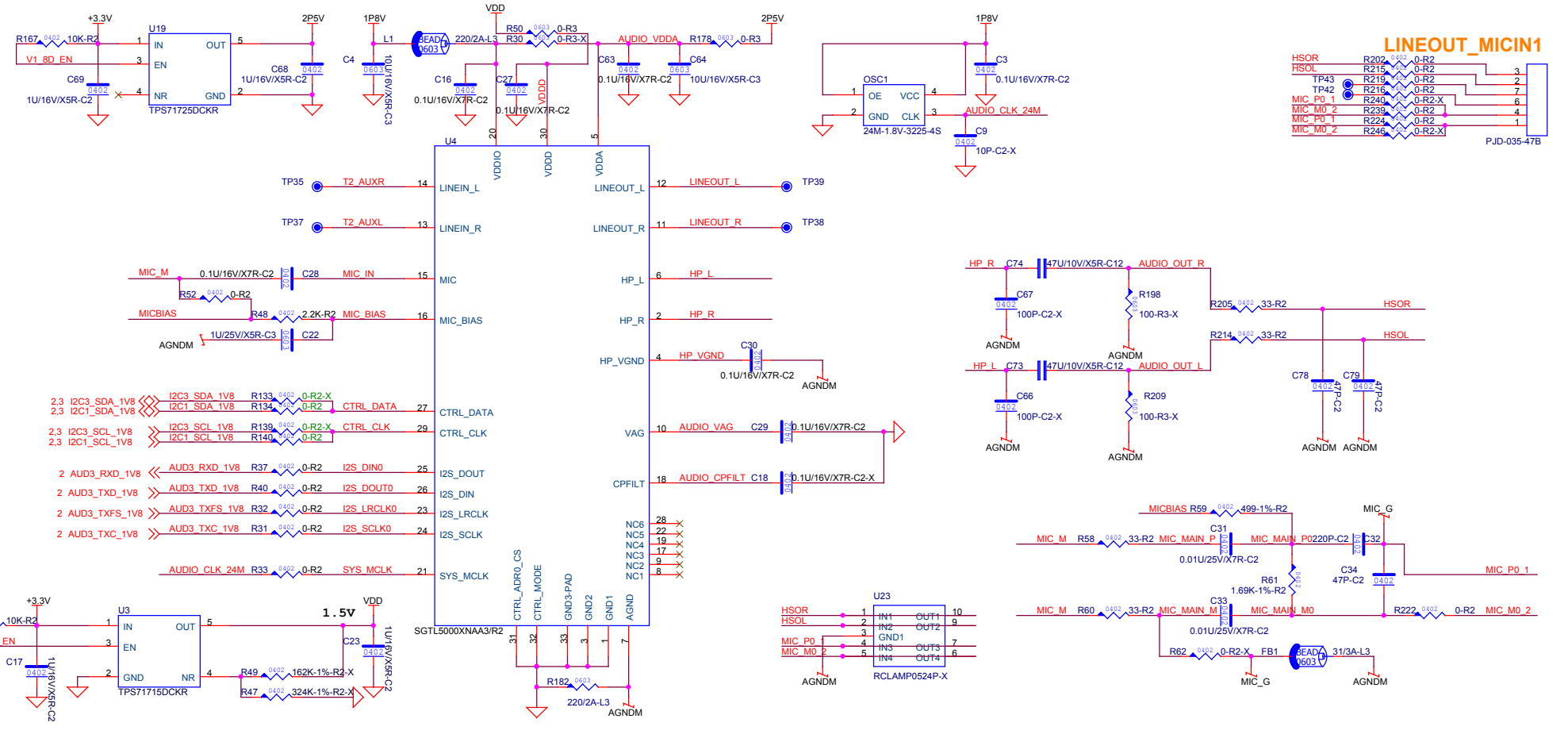


ADC

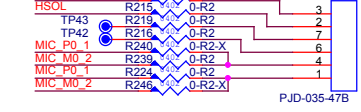


WANDBOARD.ORG		
DC-DC & M-SD		
Title	Document Number HOBBIT6UL-BB	
Size Custom	Rev A1	
Date: Monday, March 14, 2016	Sheet 4 of 7	

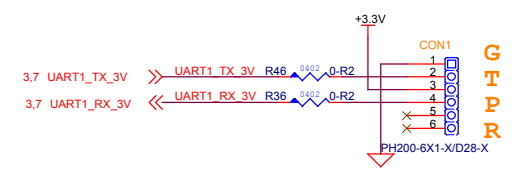
AUDIO



LINEOUT_MICIN1



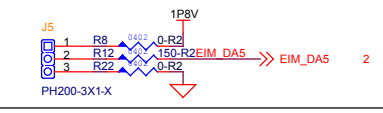
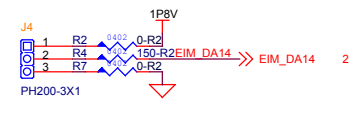
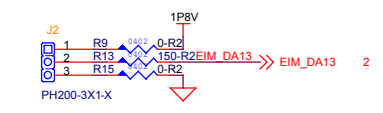
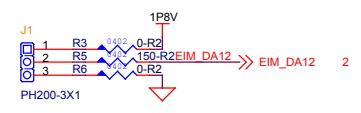
CONSOLE



BOOT HEADER

IMX6UL BOOT Type Jumper Settings

MODE0	MODE1	BMODE [0:1]
J1	J4	Serial Downloader (USB C)
1-2	2-3	
2-3	1-2	Internal Boot (eMMC)

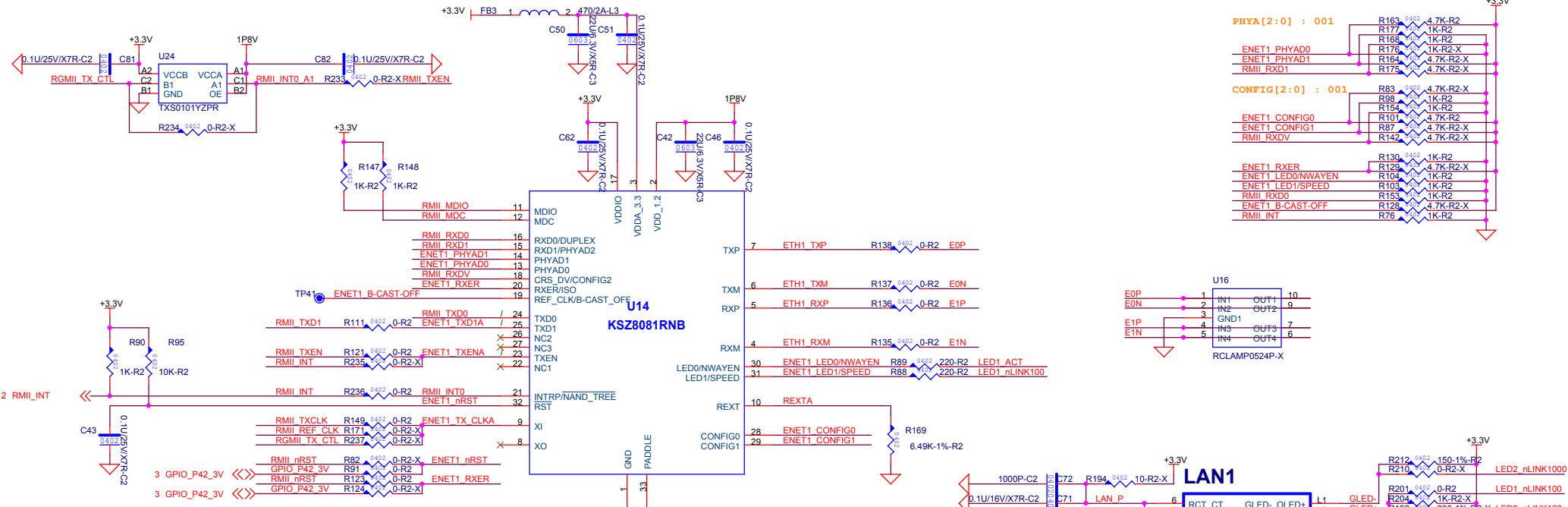


WANDBOARD.ORG

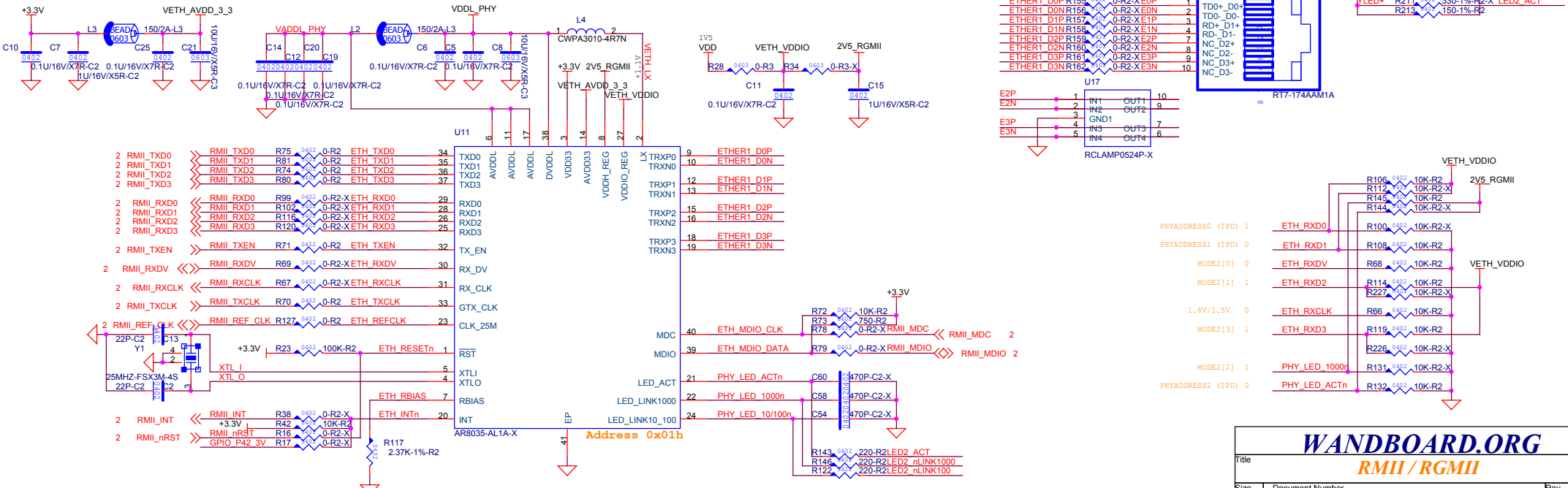
Audio & HEADER

Title		Rev
Size	Document Number	A1
HOBBIT6UL-BB		
Date:	Monday, March 14, 2016	Sheet 5 of 7

RMII



RGMII Option

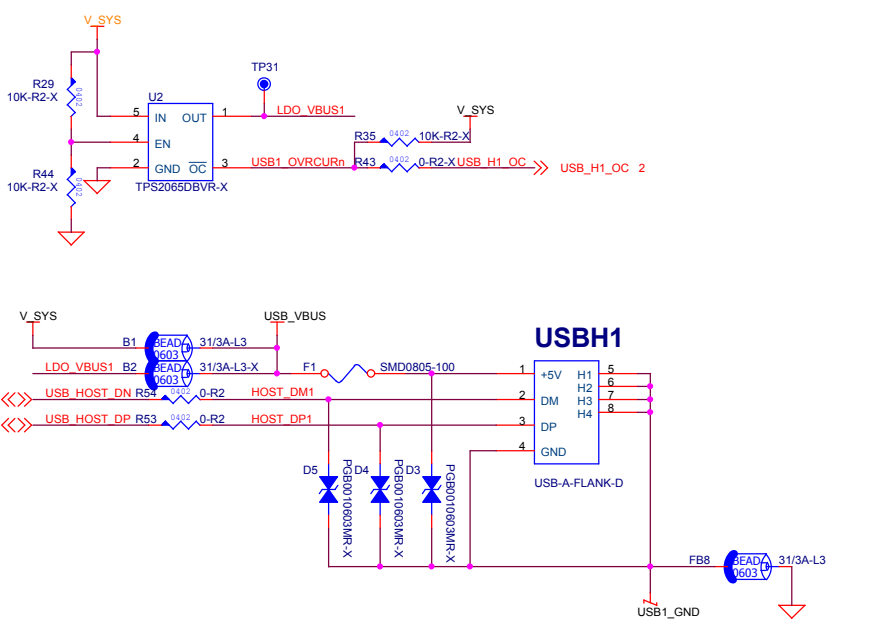


WANDBOARD.ORG

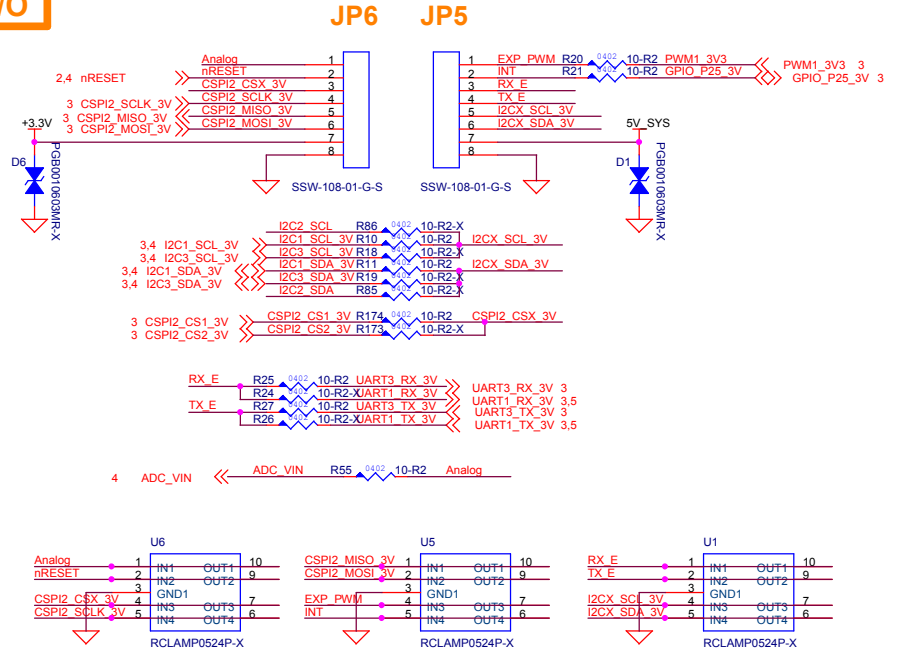
RMII / RGMII

Title		
Size Custom	Document Number	Rev A1
HOBBIT6UL-BB		
Date:	Monday, March 14, 2016	Sheet 6 of 7

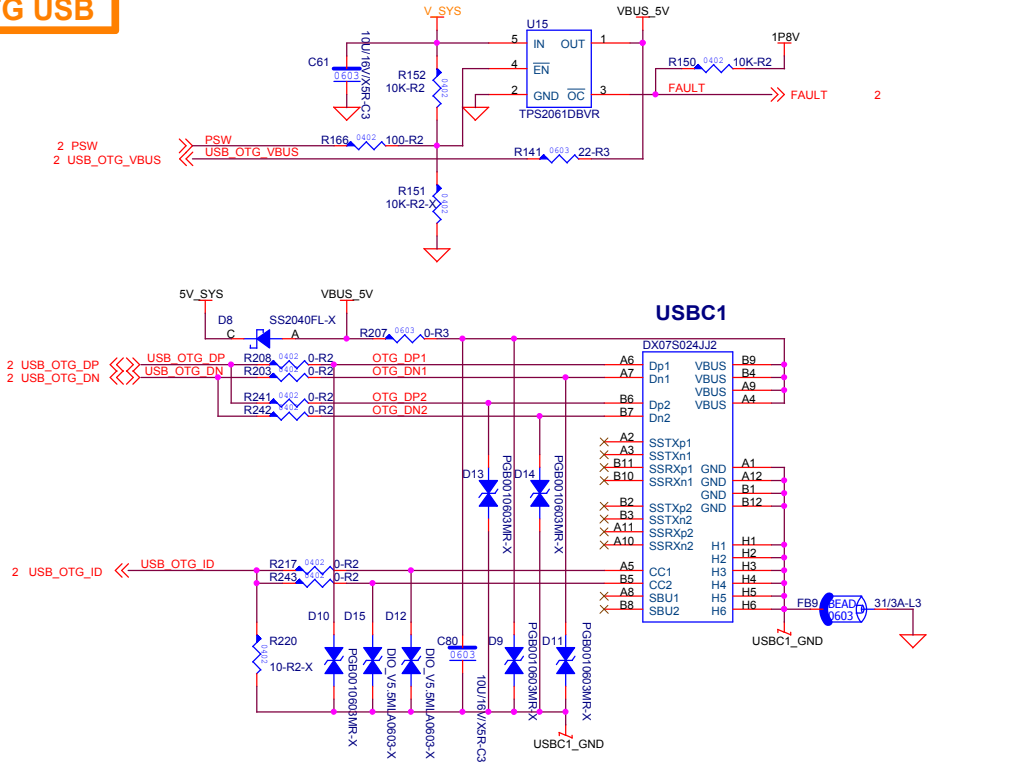
HOST USB



BUS I/O

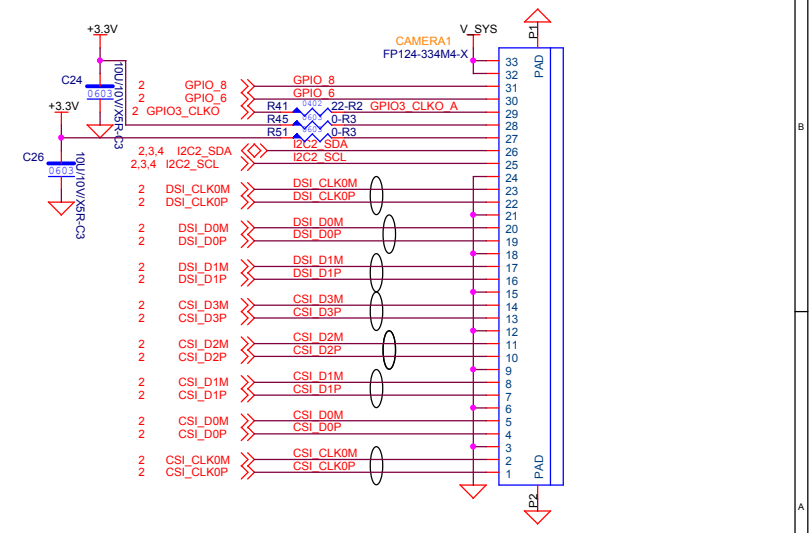


OTG USB



CAMERA Connector

Option



WANDBOARD.ORG		
Title Host & Client USB		
Size Custom	Document Number HOBBIT6UL-BB	Rev A1
Date: Monday, March 14, 2016	Sheet 7 of 7	