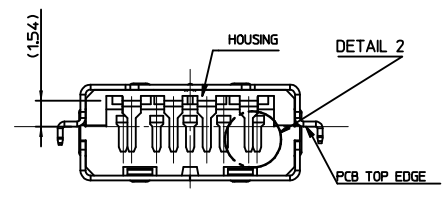
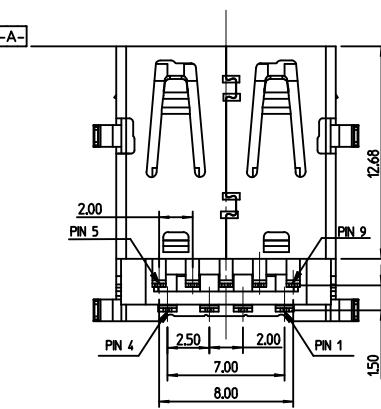
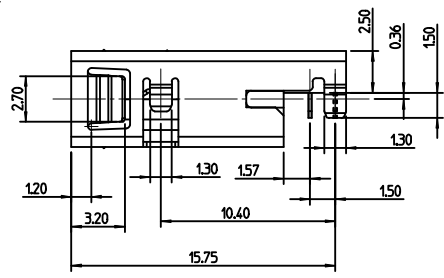
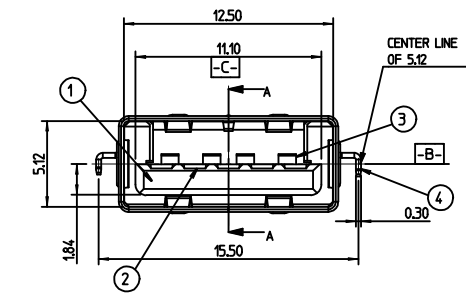


RECOMMEND PCB LAYOUT COMPONENT SIDE  
 DEFAULT TOLERANCES ±0.05 P.C.B THICKNESS=120mm



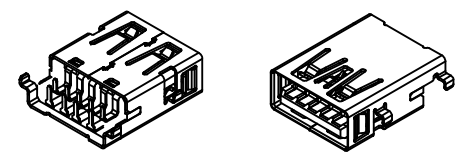
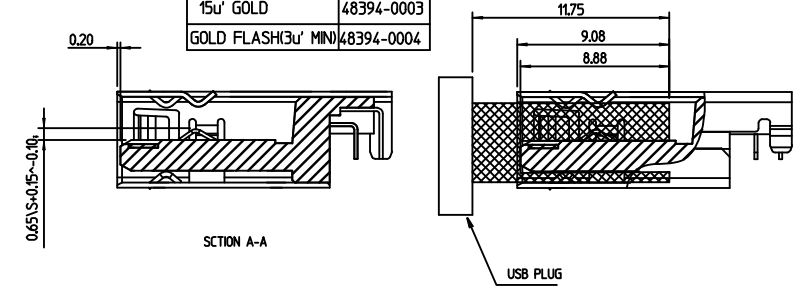
- NOTES:  
 1. MATERIAL:  
 1.1 HOUSING: THERMOPLASTIC, HIGH TEMP., UL94V-0, COLOR: BLUE  
 1.2 CONTACT: COPPER ALLOY  
 1.3 SHELL: STAINLESS STEEL  
 2. FINISH:  
 2.1 CONTACT: PLS. SEE ORDER INFORMATION  
 SOLDER TAIL PLATING: MATT TIN OVER NICKEL  
 UNDERPLATING: NICKEL OVER ALL  
 2.2 SHELL: NICKEL PLATING OVER ALL  
 3. SPEC. PLS. REFER TO PS-48394-001  
 4. PACKAGE PLS. REFER TO PK-48394-001  
 5. LEAD FREE AND ROHS COMPLIANT PRODUCT  
 6. DATE CODE

YEAR: 1-2011  
 MONTH: A(JAN)-B(FEB)  
 DATE: 8-08

REMARK  
 PRODUCE PLACE

TABLE

PLATING	MOLEX P/N
30u GOLD	48394-0001
ZuGOLD&30uPd-Ni	48394-0002
15u GOLD	48394-0003
GOLD FLASH(3u MIN)	48394-0004



No.	DESCRIPTION	MATERIAL	FINISH
4	METAL SHELL	STAINLESS STEEL	NICKEL PLATING OVERALL
3	TERMINAL A	COPPER ALLOY	SEE ORDER INFORMATION
2	TERMINAL B	COPPER ALLOY	SEE ORDER INFORMATION
1	HOUSING	THERMOPLASTIC	SEE ORDER INFORMATION

SHELL	SHIELD
9	STDA_SSTX+
8	STDA_SSTX-
7	GND_DRAIN
6	STDA_SSRX+
5	STDA_SSRX-
4	GND
3	D+
2	D-
1	VBUS
PIN NO.	SIGNAL NAME

RELEASE  
 EC NO: DRWNYANG05 2013/10/20  
 CHKD:  
 APPR:

QUALITY SYMBOLS  
 $\nabla \nabla = 0$   
 $\nabla \nabla = 0$   
 $\nabla \nabla = 0$

GENERAL TOLERANCES (UNLESS SPECIFIED)

	mm	INCH
4 PLACES	±	±
3 PLACES	±	±
2 PLACES	±0.25	±
1 PLACE	±0.25	±

ANGULAR ± 3 °

DRAFT WHERE APPLICABLE  
 MUST REMAIN  
 WITHIN DIMENSIONS

DIMENSION STYLE  
**MM ONLY**

SCALE  
**1:1**

DESIGN UNITS  
**METRIC**

THIRD ANGLE  
 PROJECTION

DRAWN BY: JZ.YU DATE: 13/03/22  
 CHECKED BY: SAM DATE: 13/03/22  
 APPROVED BY: JASON DATE: 13/03/22

MATERIAL NO.  
**SEE TABLE**

SIZE  
**A4**

TITLE  
**USB3.0 REVERSE SINK A TYPE  
 CH=0.36mm T/H R/A**

**molex** MOLEX INCORPORATED

DOCUMENT NO.  
**SD-48394-001**

SHEET NO.  
**1 OF 1**

THIS DRAWING CONTAINS INFORMATION THAT IS PROPRIETARY TO MOLEX INCORPORATED AND SHOULD NOT BE USED WITHOUT WRITTEN PERMISSION