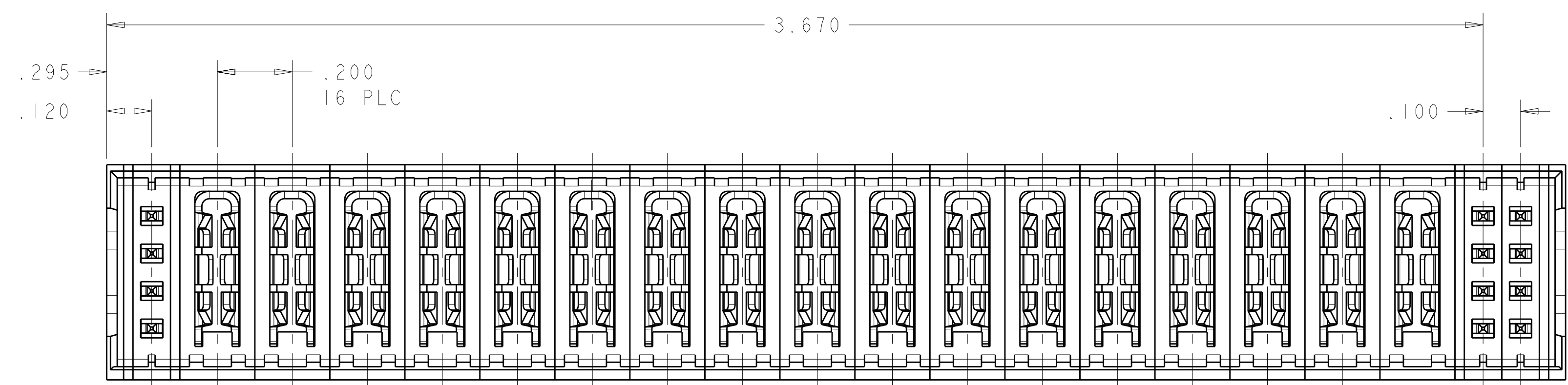
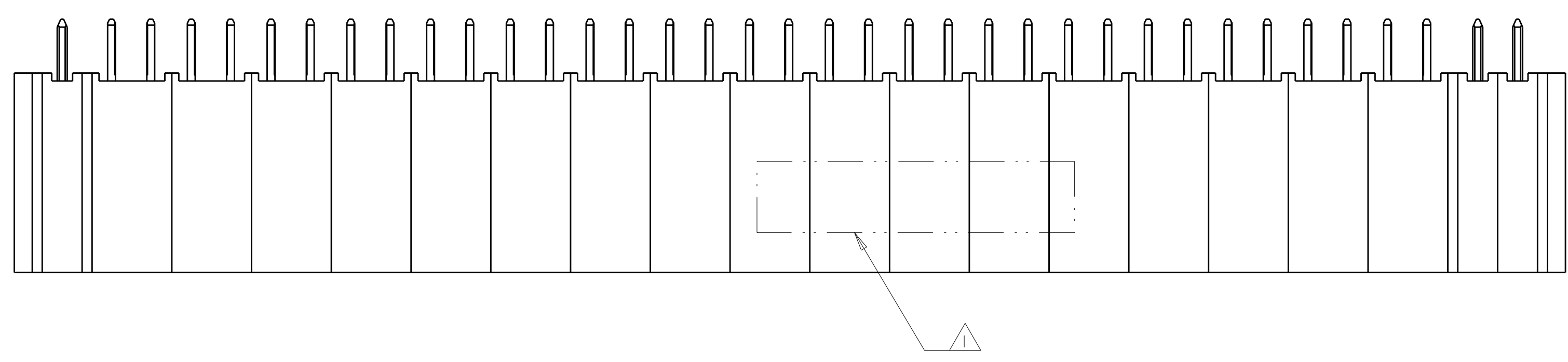
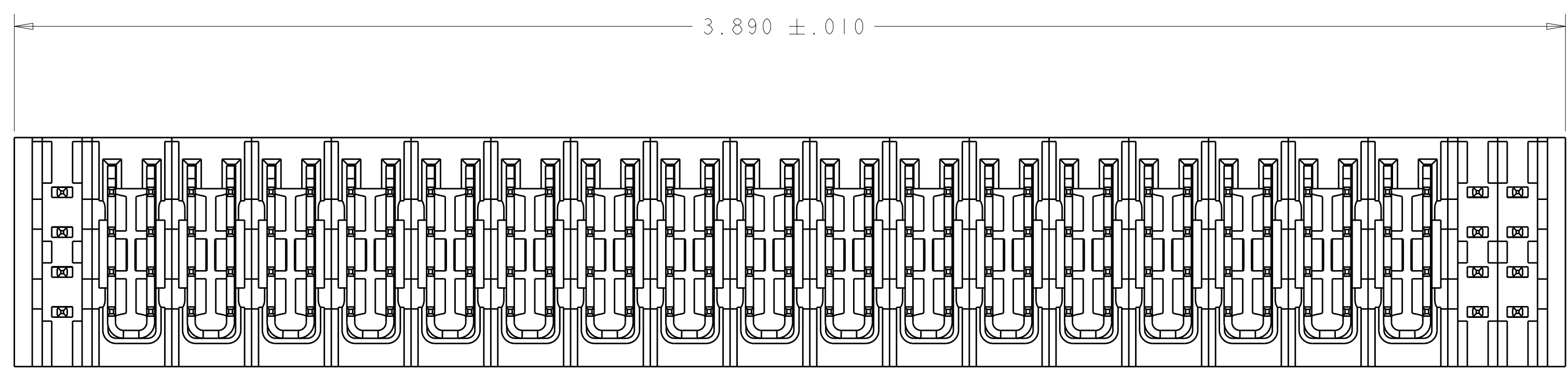
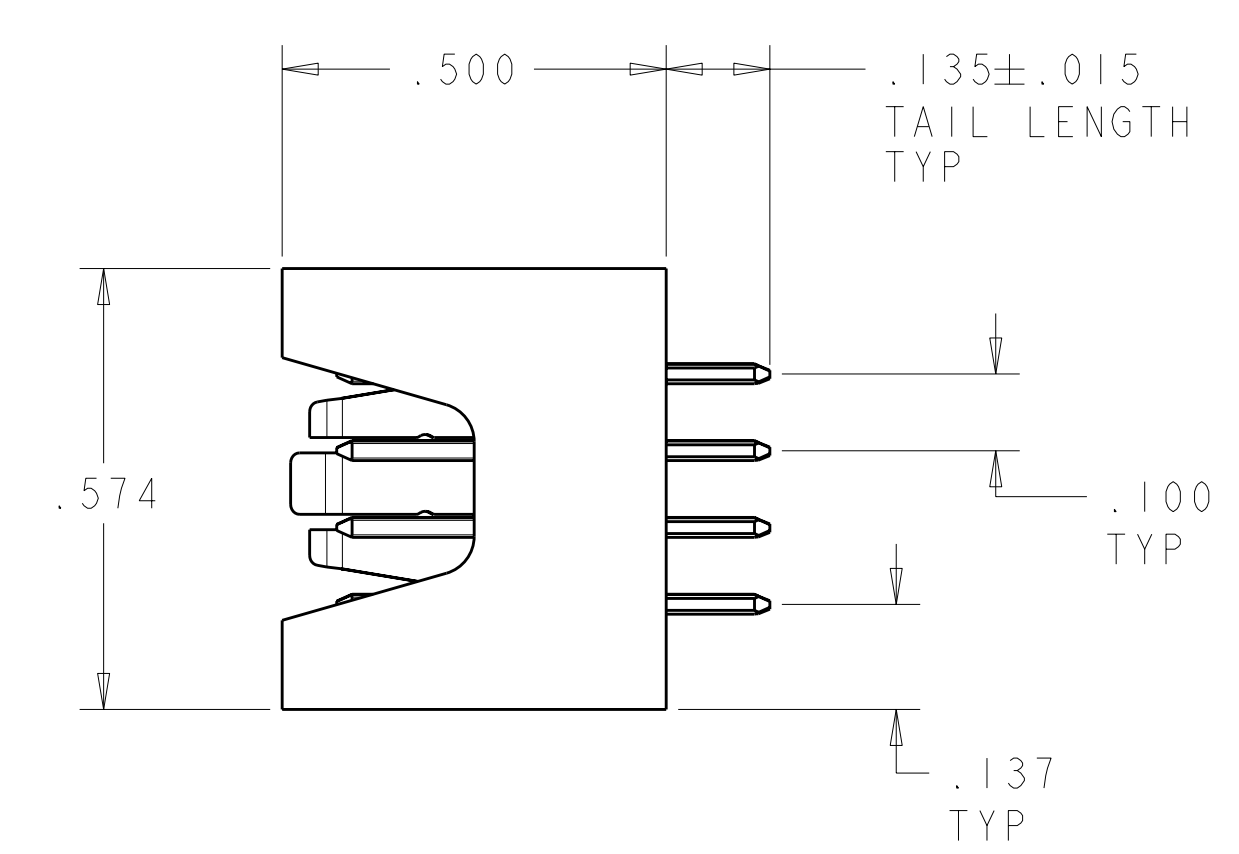


LOC	DIST	REV	DATE	BY	CHK	APPV
ES	00	1	13OCT2008	TY	SY	
		2	13NOV2008	HL	SY	
		3	21NOV2008	HL	SY	
		A	15DEC2008	HL	SY	



- ① "AMP" PART NUMBER AND DATE CODE TO BE MARKED IN AREA SHOWN. PARTS 2.00 OR LESS MAYBE MARKED ON BOTH SIDES.
- ② MATERIAL: HOUSING - GLASS FILLED HIGH TEMP THERMO PLASTIC, UL94 V-0
POWER CONTACT - HIGH CONDUCTIVITY COPER ALLOY
- ③ CONTACT PLATING: POWER CONTACT - .000050 MIN Ni UNDER ALL
.000030 MIN Au ON CONTACT AREA
.000100 MIN Sn AT PCB INTERFACE
- ④ MECHANICAL CONNECTOR KEEP OUT ZONE
- ⑤ DATUM AND BASIC DIMENSIONS ESTABLISHED BY CUSTOMER
- ⑥ PCB - ALL HOLE DIMENSIONS ARE FINISHED HOLE SIZES
- ⑦ PCB - .0453±.0010 DRILLED HOLES. PLATED WITH .0003 MIN Sn OVER
.001 TO .003 Cu PLATING TO ACHIEVE A .040 DIA. HOLE

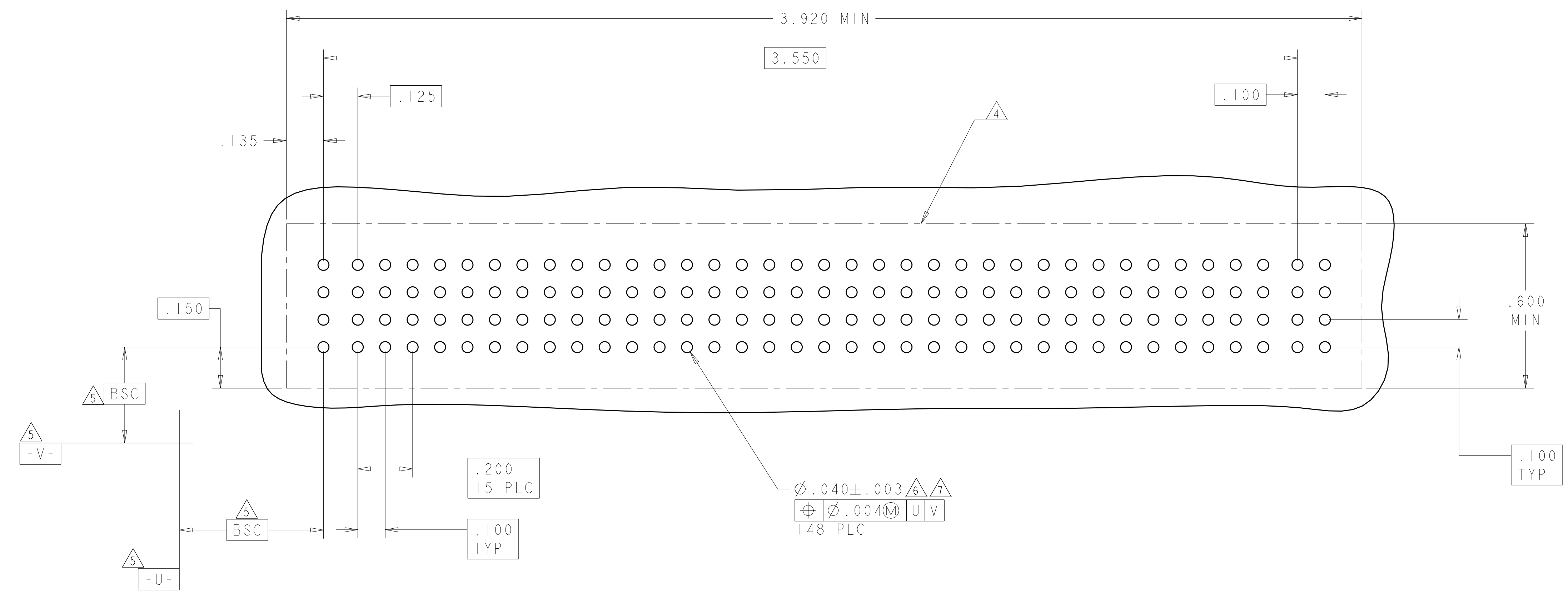


4S + 17HDP +8S	6450819-1
DESCRIPTION	PART NUMBER

<small>THIS DRAWING IS UNPUBLISHED. RELEASED FOR PUBLICATION BY TYCO ELECTRONICS CORPORATION. ALL RIGHTS RESERVED.</small>		DWN: T. YU CHK: S. ZHAO APPV: S. YAO	13OCT2008 13OCT2008 -	Tyco Electronics Corporation Shanghai, P.R.China. 200233
DIMENSIONS: INCHES TOLERANCES UNLESS OTHERWISE SPECIFIED: 9 PLC ±.01 1 PLC ±.01 2 PLC ±.01 3 PLC ±.005 4 PLC ±.0020 ANGLES 45°	PRODUCT SPEC: 108-2292 APPLICATION SPEC: 114-13038 WEIGHT: -	NAME: VERTICAL HEADER ASSEMBLY NO GUIDES MULTI-BEAM XLE SIZE: 00779 CAGE CODE: C=6450819	RESTRICTED TO: - SCALE: 4:1 SHEET: 1 OF 2 REV: A	CUSTOMER DRAWING

LOC	DIST	REVISIONS			
REV	DATE	DESCRIPTION	DATE	DWN	APVD
ES	00	SEE SHEET 1	-	-	-

PART NUMBER	ROWS	S	POWER														SIGNAL					
			I	P1	P2	P3	P4	P5	P6	P7	P8	P9	P10	P11	P12	P13	P14	P15	P16	P17	2	3
6450819-1	D	SV																			SV	SV
	C	SV	SZ	SZ	SZ	SZ	SZ	SZ	SZ	SZ	SZ	SZ	SZ	SZ	SZ	SZ	SZ	SZ	SZ	SZ	SV	SV
	B	SV																			SV	SV
	A	SV																			SV	SV
4S + 17HDP + 8S																						



SV	STD	.135" SOLDER TAIL
CODE	MATING SEQUENCE	TAIL LENGTH
SIGNAL CONTACT		
DIMENSIONS: INCHES TOLERANCES UNLESS OTHERWISE SPECIFIED: 9 PLC ±. 1 PLC ±.01 2 PLC ±.01 3 PLC ±.005 4 PLC ±.0020 ANGLES ±.2° MATERIAL: - FINISH: -		
DWN: T. YU 13OCT2008 CHK: S. ZHAO 13OCT2008 APVD: S. YAO PRODUCT SPEC: 108-2292 APPLICATION SPEC: 114-13038 WEIGHT: - CUSTOMER DRAWING		
Tyco Electronics Corporation Shanghai, P.R.China, 200233 NAME: VERTICAL HEADER ASSEMBLY NO GUIDES MULTI-BEAM XLE SIZE: A CAGE CODE: 00779 DRAWING NO: 6450819 SCALE: 4:1 SHEET: 2 OF 2 REV: A		

SZ	STD	.135" SOLDER TAIL
CODE	MATING SEQUENCE	TAIL LENGTH
POWER CONTACT		