

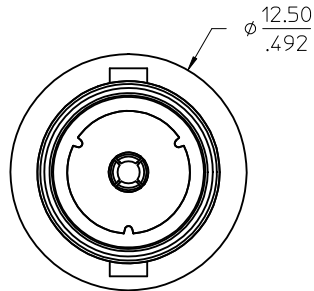
MATERIALS AND FINISHES

BODY, JAM NUT: BRASS
PLATED NICKEL

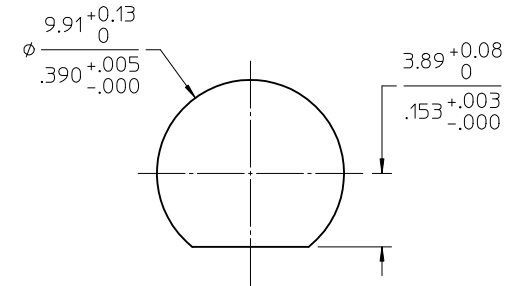
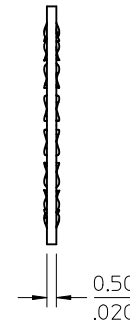
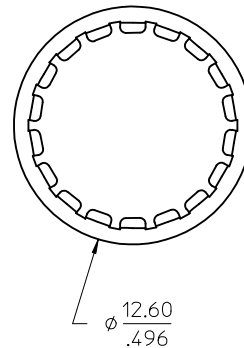
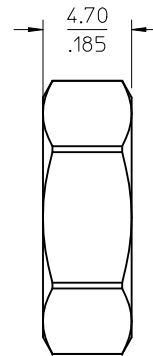
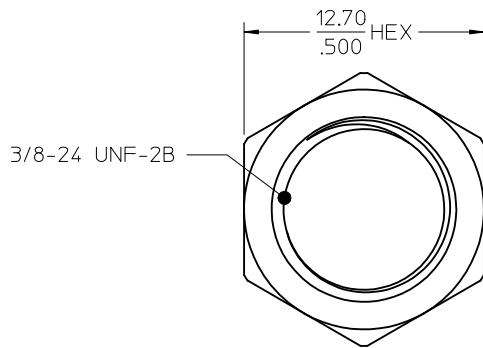
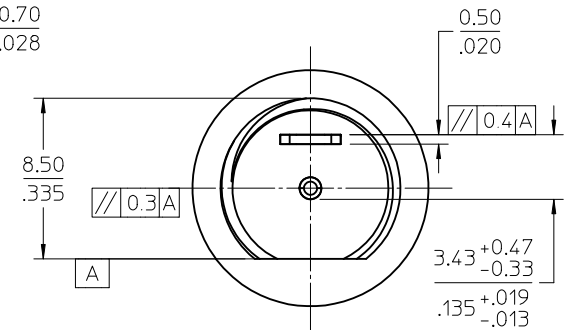
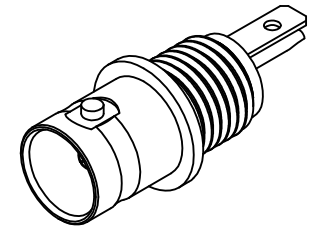
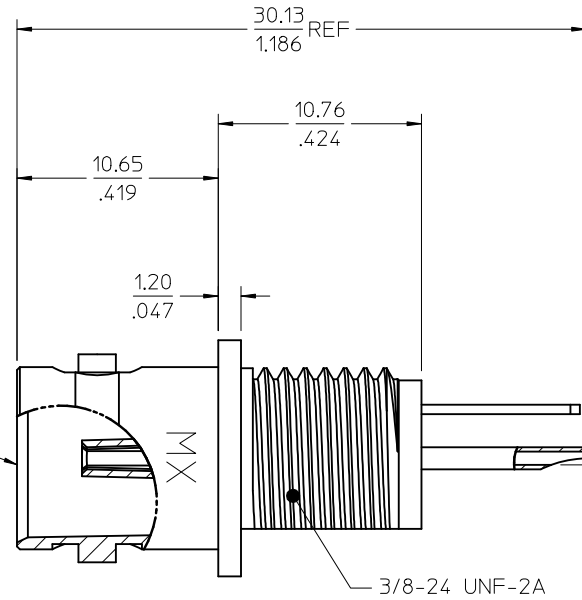
LOCK WASHER: PHOSPHOR BRONZE
PLATED NICKEL

DIELECTRIC: POLY-BUTYLENE TEREPHTHALATE (WHITE)

CONTACT: PHOSPHOR BRONZE
PLATED GOLD



75 OHM
INTERFACE



PART # 73115-7053
PACKAGING: BULK

PANEL CUTOUT
MAXIMUM THICKNESS: 2.66mm
MOUNTING TORQUE: 4.5 IN-LBS MAX

PS-89675-1030	PRODUCT SPECIFICATION
SPECIFICATION	DESCRIPTION

ORIGINALLY DRAWN BY IRIS W. 1992/02/19

CHG: REDREW IN 3D AND RECREATED DRAWING. EC NO: URF2012-0006 DRWN: AROBERTSON 2011/07/08 CHKD: SSS 2011/07/08 APPR: JWIENER 2011/07/08 REV B1	QUALITY SYMBOLS ▽=0 ▽=0	GENERAL TOLERANCES (UNLESS SPECIFIED)		DIMENSION STYLE MM/IN		SCALE METRIC	DESIGN UNITS METRIC		THIRD ANGLE PROJECTION		
		4 PLACES ± --- ± --- 3 PLACES ± --- ± --- 2 PLACES ± --- ± --- 1 PLACE ± --- ± ---		DRAWN BY DATE AROBERTSON 2011/07/08		TITLE BNC JACK BLKHD FM RCPT 75 OHM SOLDER LUG BNC-JR, EWR-4739		MOLEX MOLEX INCORPORATED		SHEET NO. 1 OF 1	
		ANGULAR ± 2 °		CHECKED BY DATE SSS 2011/07/08		APPROVED BY DATE JWIENER 2011/07/08		MATERIAL NO. 731157053		DOCUMENT NO. SD-73115-7053	
		DRAFT WHERE APPLICABLE MUST REMAIN WITHIN DIMENSIONS		SIZE C		THIS DRAWING CONTAINS INFORMATION THAT IS PROPRIETARY TO MOLEX INCORPORATED AND SHOULD NOT BE USED WITHOUT WRITTEN PERMISSION					