


Housing - HC-STA-D07-CHPWS-1TGM20-PL-BK - 1419269

Please be informed that the data shown in this PDF Document is generated from our Online Catalog. Please find the complete data in the user's documentation. Our General Terms of Use for Downloads are valid (<http://phoenixcontact.com/download>)

Feed-through header D7, with single locking latch, material: PA, cable outlets: 1, straight, height: 76 mm, cable gland: with, support sleeve: no, 1x M20, Standard



Key Commercial Data

Packing unit	1 STK
GTIN	 4 055626 160207
GTIN	4055626160207

Technical data

Dimensions

Height	76 mm
Width	52 mm
Length	24.2 mm
External cable diameter	4 mm ... 10 mm
Length of the assembly cutout	26.5 mm
Width of the assembly cutout	26.5 mm

Ambient conditions

Degree of protection of housing (IP)	IP66
Ambient temperature (operation)	-40 °C ... 125 °C

General

Note	for contact inserts HC-A03, A04, D07, D08, Q02, Q03, Q04, Q05, Q07, Q12
Size	D7
Housing type	Feed-through header
Color	black
Locking type	with single locking latch
No. of cable outlets	1

Housing - HC-STA-D07-CHPWS-1TGM20-PL-BK - 1419269

Technical data

General

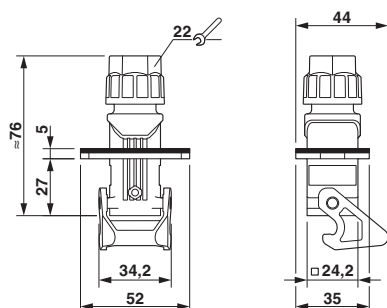
Cable outlet	straight
Screw connection	with
Type of the screw connection	1x M20
Housing material	PA
Seal material	NBR, conductive
Material lock	PA
Flammability rating according to UL 94	V0 (Polyamide housing)

Environmental Product Compliance

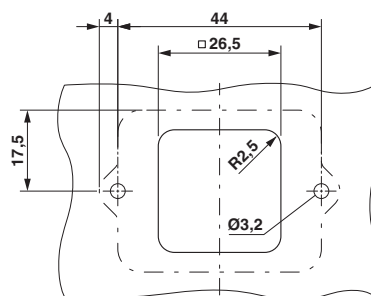
REACH SVHC	Lead 7439-92-1
China RoHS	Environmentally Friendly Use Period = 50
	For details about hazardous substances go to tab "Downloads", Category "Manufacturer's declaration"

Drawings

Dimensional drawing



Dimensional drawing



Mounting cutout

Dimensional drawing

Approvals

Approvals

Approvals


EAC / GL

Ex Approvals

Approval details

Housing - HC-STA-D07-CHPWS-1TGM20-PL-BK - 1419269

Approvals

EAC			RU C- DE.AI30.B.01102
-----	---	--	--------------------------

GL		http://exchange.dnv.com/tari/	6196614 HH
----	---	---	------------

Phoenix Contact 2018 © - all rights reserved
<http://www.phoenixcontact.com>

PHOENIX CONTACT GmbH & Co. KG
Flachsmarktstr. 8
32825 Blomberg
Germany
Tel. +49 5235 300
Fax +49 5235 3 41200
<http://www.phoenixcontact.com>