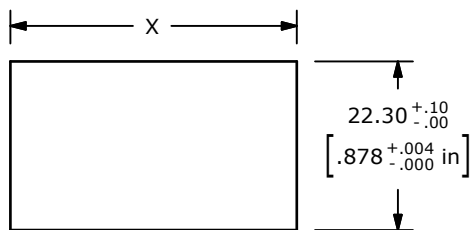
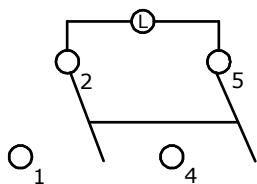
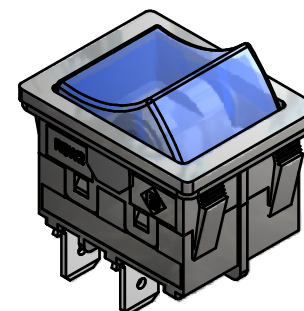
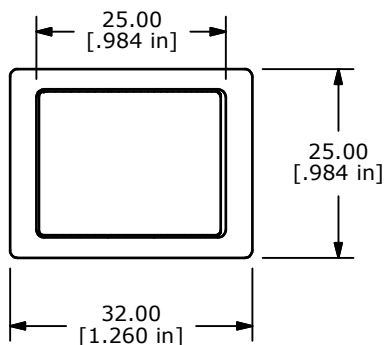


SWITCH FUNCTION ▲		
POS. 1	POS. 2	POS. 3
OFF	N/A	ON
OPEN	N/A	2-1, 5-4



RECOMMENDED PANEL MOUNTING

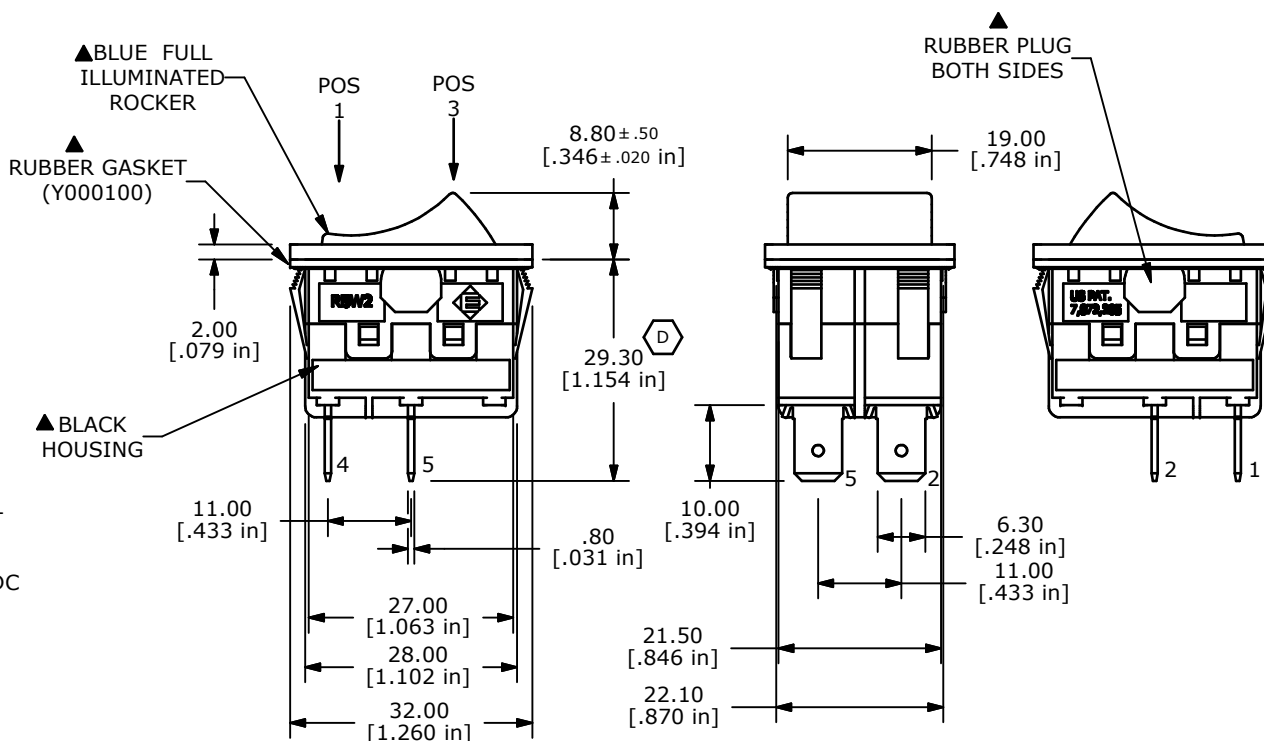
PANEL THICKNESS	X
1.2-1.8	29.9/30.0
1.8-2.4	30.3/30.4
2.4-3.0	30.7/30.8



CIRCUIT: DPST FUNCTIONS

NOTES:

1. ALL DIMENSIONS IN mm [INCH]
2. GENERAL TOLERANCE: X.X=±0.4  
X.XX=±0.25
3. TERM. NOS. FOR REF. ONLY
4. MECHANICAL LIFE: 50,000 CYCLES
5. CONTACT RESISTANCE: <30 MILLI-OHMS INITIAL
6. DIELECTRIC STRENGTH: 1000V AC 1MIN
7. ▲ DENOTES CRITICAL PARAMETER.
8. INSULATION RESISTANCE: 500M OHMS AT 500VDC
9. OPERATING TEMP: -20°C to 85°C
- ▲10. LAMP: 12VDC Incandescent
11. RATING: IP66
12. 2002/95/EC (ROHS) COMPLIANT



B	20640	REMOVED RATING & RESISTOR	06/07/12	drg
A	20537	New Release	3/19/2012	MM
REV	PCR NO	DESCRIPTION	DATE	BY

TITLE RBW2ABLKBILEF3				
SCALE	DATE	DR	DWG	REV
NONE	3/19/2012	mm	Y100014	B