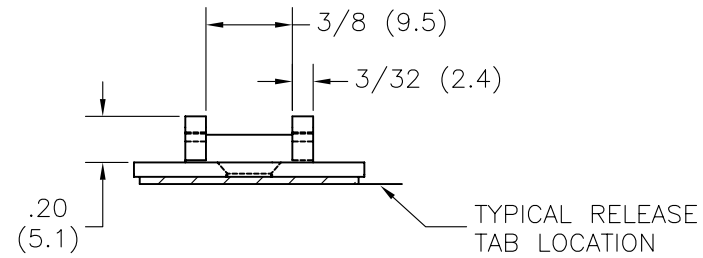
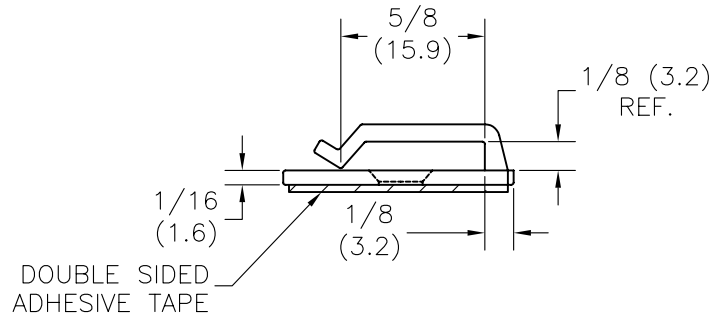
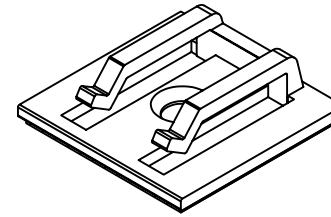
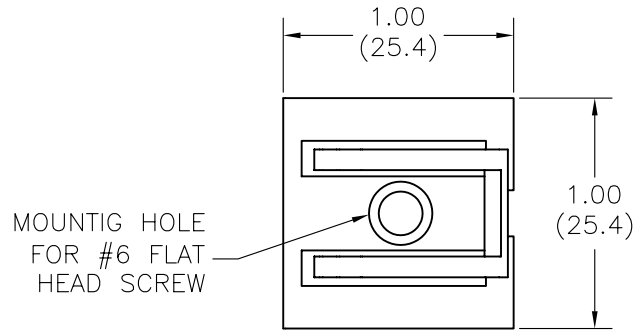


PART NO.	TAPE
SFCC-8-01	W/O ADHESIVE
SFCC-8-01A-RT	W/ADHESIVE



NOTES:

1. MATERIAL: NYLON 66 (RMS-01).
2. COLOR: NATURAL.
3. TAPE: DOUBLE SIDED ADHESIVE TAPE, 1/32 (0.8) THICK (RMS-15).

<table border="1"> <tr> <td>C</td> <td>CORRECTED METRIC DIMENSIONS</td> <td>SJ 03.06.02</td> </tr> <tr> <td>B</td> <td>COMPLETELY RE-DRAWN &amp; CHANGED FILE NO.</td> <td>SM 07.17.01</td> </tr> <tr> <td>A</td> <td>1/2 DIM. ADDED</td> <td>J.L 9.24.97</td> </tr> <tr> <td>REV</td> <td>DESCRIPTION</td> <td>ENGR DATE</td> </tr> </table>			C	CORRECTED METRIC DIMENSIONS	SJ 03.06.02	B	COMPLETELY RE-DRAWN & CHANGED FILE NO.	SM 07.17.01	A	1/2 DIM. ADDED	J.L 9.24.97	REV	DESCRIPTION	ENGR DATE	<p>TOLERANCES UNLESS NOTED .XX=±.010 .XXX=±.005 FRAC=±1/64 ANG=±1°</p>			<p>FILE # SFCC-8 MAT'L: SEE NOTES RE: RICHCO, INC.</p>		<p>DWN: J.B DT: 09/25/95 APP: DT:</p>		<p>RICHCO INC. PO BOX 804238, CHICAGO, 60680 (773) 539-4060</p>		<p>DWG IN IN (MM) FINAL</p>		<p>PART # SEE TABLE</p>		<p>PRINT TYPE CA</p>	
C	CORRECTED METRIC DIMENSIONS	SJ 03.06.02																											
B	COMPLETELY RE-DRAWN & CHANGED FILE NO.	SM 07.17.01																											
A	1/2 DIM. ADDED	J.L 9.24.97																											
REV	DESCRIPTION	ENGR DATE																											
<p>TITLE: SPLIT FLAT CABLE CLIP</p>																													