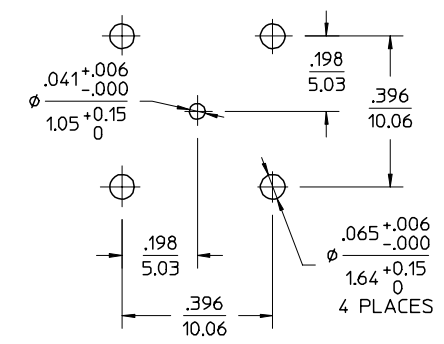
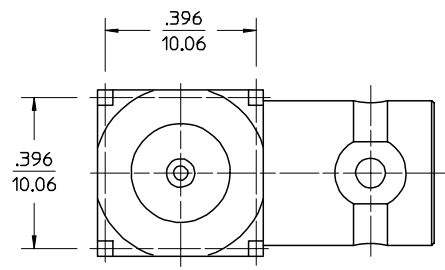
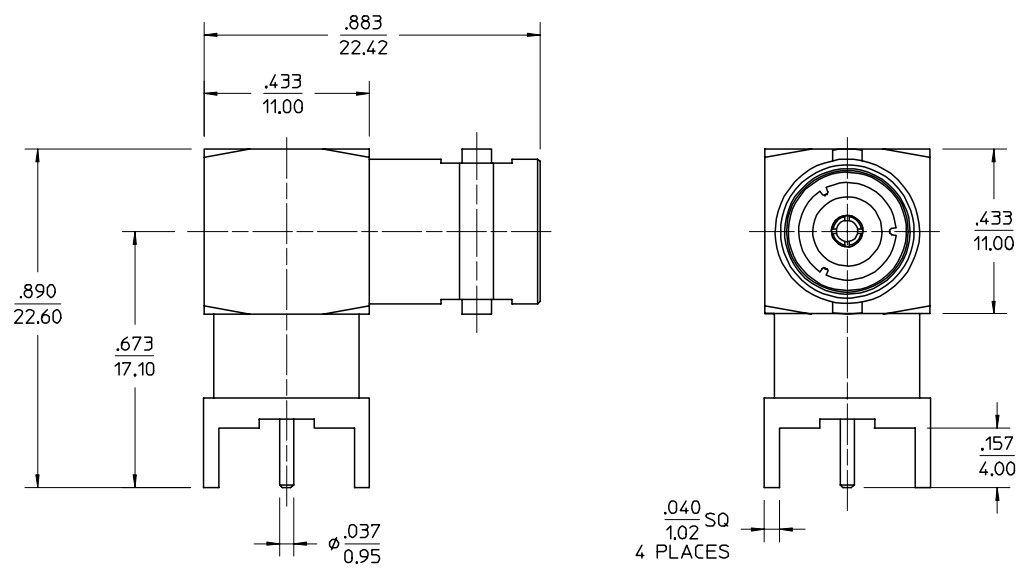


MATERIALS AND FINISHES

- BODY
BRASS, NICKEL PLATED
- CENTER CONTACT
BRASS OR PHOSPHOR BRONZE, GOLD PLATED
- INSULATOR
TEFLON
- HOUSING
BRASS, TIN/LEAD PLATED
- RETAINING RING
BRASS, NICKEL PLATED



PART # 73131-0240

PS-73598-0050	ELECTRO/MECH PERFORMANCE
SPECIFICATION	DESCRIPTION

RECOMMENDED PCB HOLE CONFIGURATION

CHG: NEW RELEASE	EC NO. RF02-037	DESCRIPTION	UNLESS OTHERWISE SPECIFIED DIMS ARE INCHES AND ANGLES ARE DEGREES. 1. $\sqrt{63}$ ALL OVER. 2. NO CHATTER OR NON-UNIFORM SURFACE FINISH ALLOWED. 3. PARTS TO BE FREE OF BURRS & SHARP EDGES .005 MAX BREAK. 4. EXTERNAL THREADS TO BE ROLLED OR SINGLE POINT. 5. DIAMETERS TO BE CONCENTRIC WITHIN .003 TIR.
	DRWN: LYNN 01/11/01		
	CHK: BETTY 01/11/01		
	APPR: MISEN 01/11/01		
A	REV		

UNLESS OTHERWISE SPECIFIED DIMS ARE INCHES AND ANGLES ARE DEGREES.
 1. $\sqrt{63}$ ALL OVER.
 2. NO CHATTER OR NON-UNIFORM SURFACE FINISH ALLOWED.
 3. PARTS TO BE FREE OF BURRS & SHARP EDGES .005 MAX BREAK.
 4. EXTERNAL THREADS TO BE ROLLED OR SINGLE POINT.
 5. DIAMETERS TO BE CONCENTRIC WITHIN .003 TIR.

QUALITY SYMBOLS	GENERAL TOLERANCES: (UNLESS SPECIFIED)	SCALE	DESIGN UNITS	THIRD ANGLE PROJECTION
MAJOR	mm INCH	DRAWN BY & DATE	<input checked="" type="checkbox"/> mm <input type="checkbox"/> INCH	
CRITICAL	4 PLACES * * * * *	LYNN LIN /00		
	3 PLACES * * * * *	CHECKED BY & DATE		
	2 PLACES * .13 * * * * *	APPROVED BY & DATE		
	1 PLACE * .25 * * * * *			
	ANGULAR: $\pm 2^\circ$	CAD FILENAME		
	DRAFT WHERE APPLICABLE MUST REMAIN WITHIN DIMENSIONS			

TITLE:	50 OHM BNC JACK PCB BNC-J/PCB	1	A
MATERIAL NO.	SEE NOTE	SHT	REV
DRAWING NO.	SD-73131-024		
THIS DRAWING CONTAINS INFORMATION THAT IS PROPRIETARY TO MOLEX INCORPORATED AND SHOULD NOT BE USED WITHOUT WRITTEN PERMISSION.		REVISE ON CAD ONLY	
		SHEET NO.	1 of 1
		SIZE	B