

# PulseJack® 2xN Gigabit PoE

U.S. Patent#7241181



## Description:

10/100/1000Base-T RJ45 2xN PoE Integrated Connectors with Magnetics, with the addition of power feeding over signal pairs.



## Features and Benefits:

- RoHS peak wave solder temperature rating 260°C
- Suitable for CAT 5 & 6 UTP cable or better
- Power over Ethernet enabled-compatible to IEEE 802.3af standard
- 350µH minimum OCL with 8mA bias current
- High performance for maximum EMI suppression

### Electrical Specifications @ 25°C - Operating Temperature 0°C to +70°C

RoHS Compliant Part Number (Number of Ports)	LEDs (L/R)	Insertion TX/RX (dB TYP)	Return Loss (dB TYP) 100Ω (±15Ω)				Crosstalk (dB TYP)			Common Mode Rejection (dB TYP)		Hipot (Vdc MIN)
			1-125 MHz	1-40 MHz	60 MHz	100 MHz	1-10 MHz	30-60 MHz	60-100 MHz	1-10 MHz	10-150 MHz	
JOB-0364NL (2X4)	G-Y/G-Y	-0.8	-20	-17	-14	-40	-35	-30	-50	-40	2250	
JOB-0366NL (2X6)	G-Y/G-Y	-0.8	-20	-17	-14	-40	-35	-30	-50	-40	2250	
JOB-0368NL (2X8)	G-Y/G-Y	-0.8	-20	-17	-14	-40	-35	-30	-50	-40	2250	

Notes: 1. Bi-color LEDs: G-Y = green/yellow. Contact Pulse for LED options

### RJ45 Durability Test Rating

Part Number	Mating Force (MAX)	Unmating Force (MAX)	Durability
JOB Series	5 lbs./2.268 kgs.	5 lbs./2.268 kgs.	750 Insertions

### RJ45 Material Specification

Part Number	Shield		Contact			Housing		MSL Rating
	Material	Finish	Material	Plating Area	Solder Area	Material	Specification	
JOB Series	Brass	20-40µ inches thick nickel over brass	5 lbs./2.268 kgs.	50µ inches gold over 30-50µ inches nickel	75-300µ inches tin-lead over 50-100µ inches nickel	Thermoplastic	UL 94 V-0	1

## Notes:

1. Connector dimensions comply with FCC dimension requirements.

USA 858 674 8100

Germany 49 7032 7806 0

Singapore 65 6287 8998

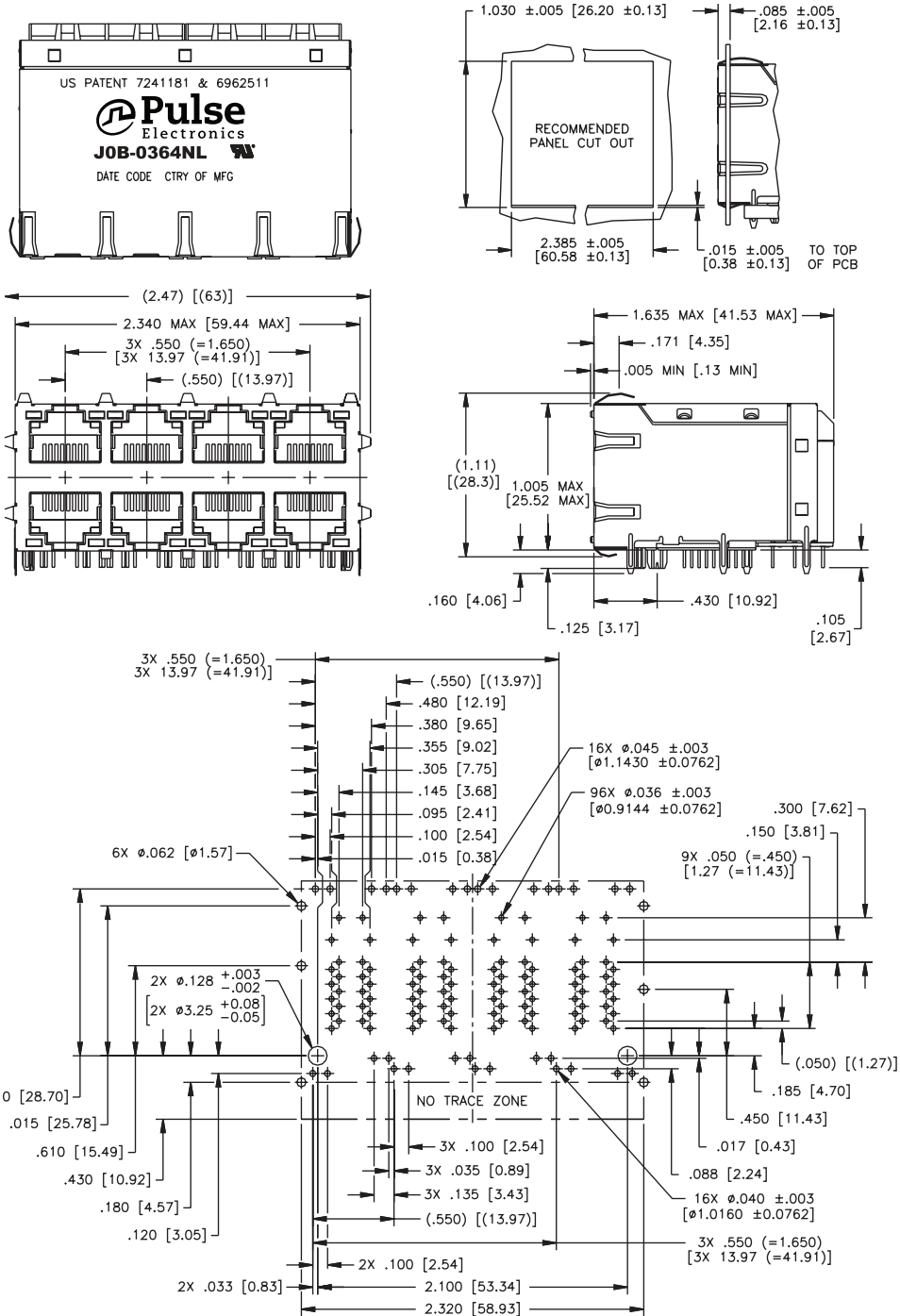
Shanghai 86 21 62787060

China 86 755 33966678

Taiwan 886 3 4356768

2X4 Mechanicals

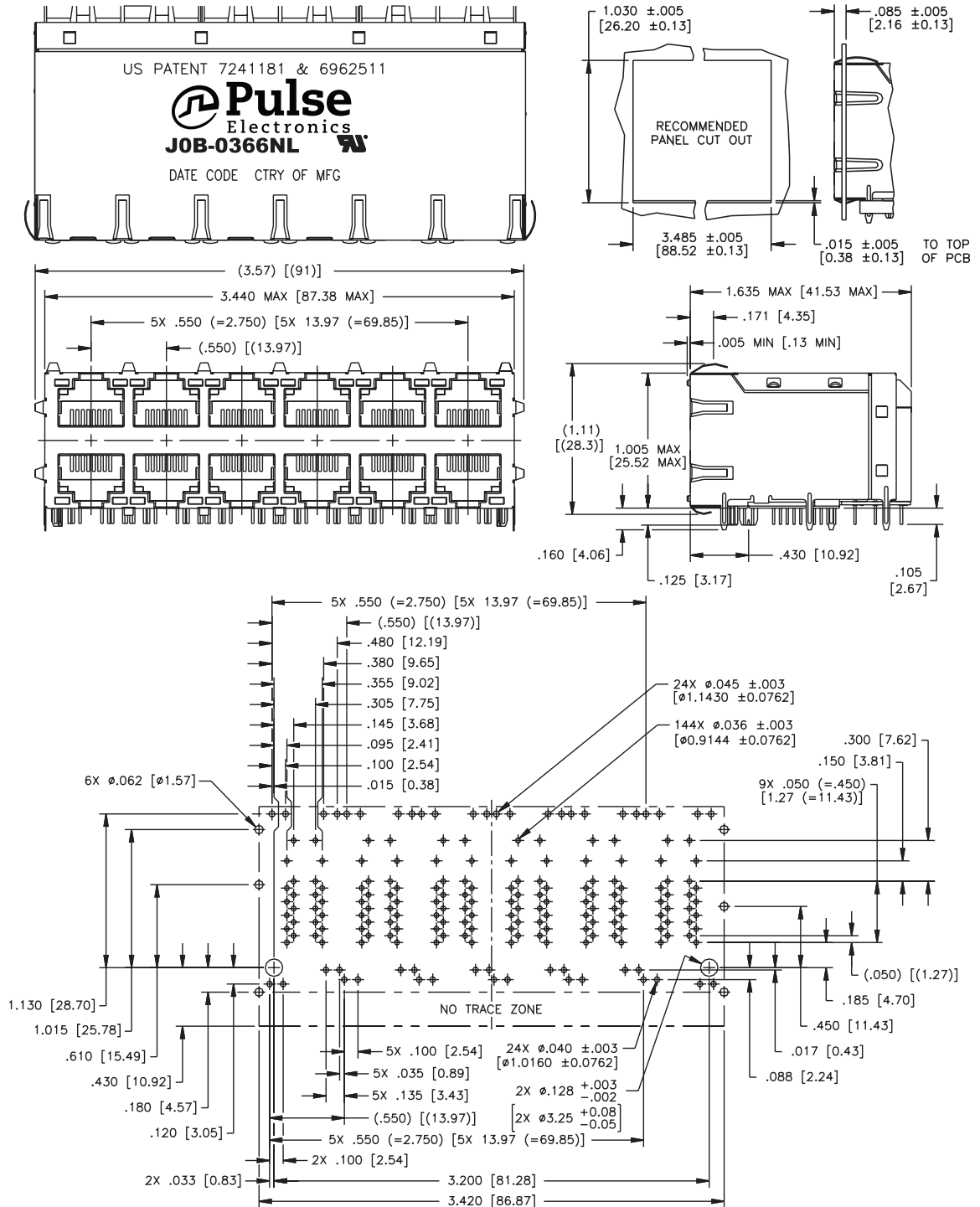
JOB-0364NL



SUGGESTED PC BOARD LAYOUT VIEWED FROM COMPONENT SIDE  
UNLESS OTHERWISE SPECIFIED DIMENSIONAL TOLERANCE IS ±.002

ZX6 Mechanicals

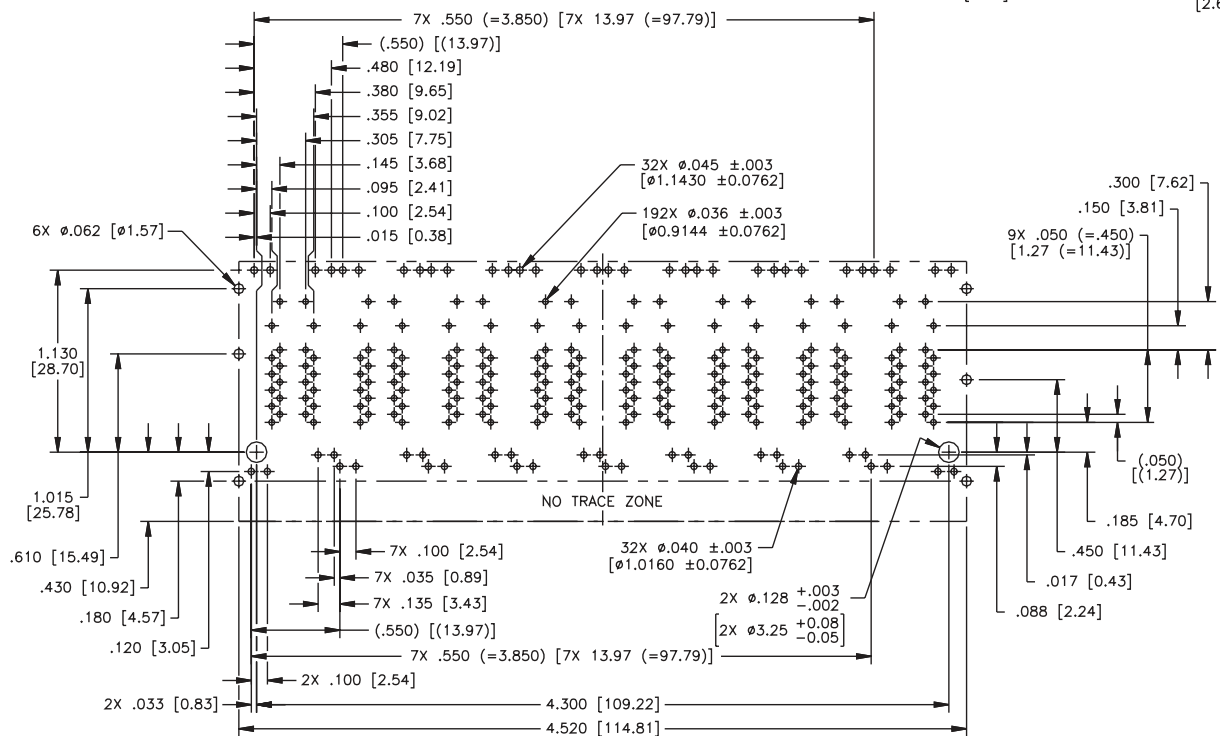
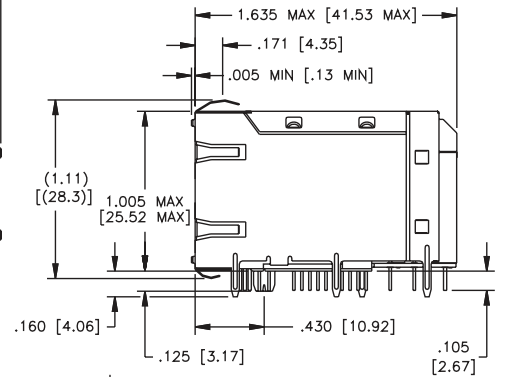
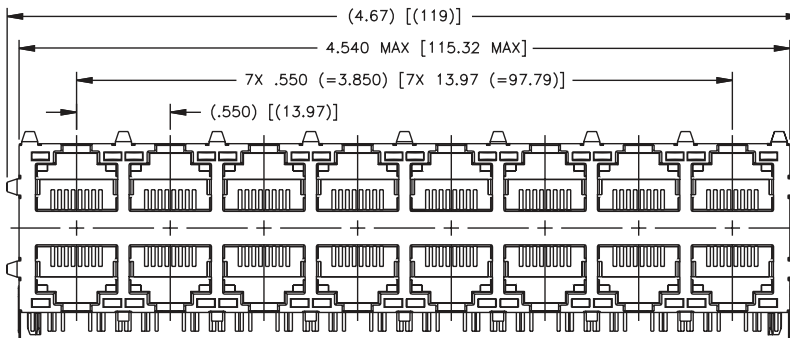
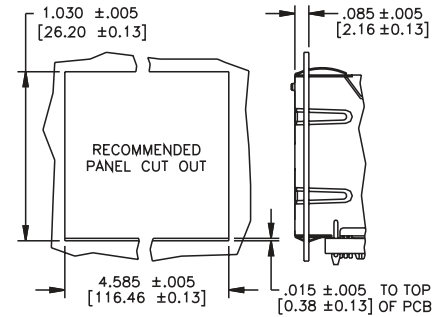
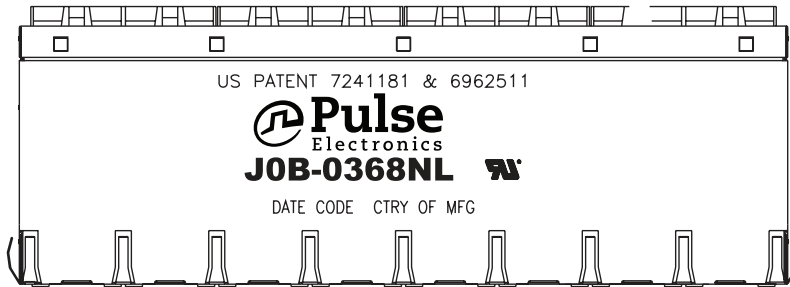
JOB-0366NL



SUGGESTED PC BOARD LAYOUT VIEWED FROM COMPONENT SIDE  
 UNLESS OTHERWISE SPECIFIED DIMENSIONAL TOLERANCE IS ±.002

2X8 Mechanicals

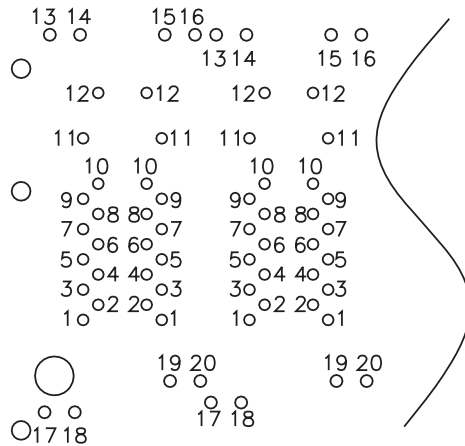
JOB-0368NL



SUGGESTED PC BOARD LAYOUT VIEWED FROM COMPONENT SIDE  
UNLESS OTHERWISE SPECIFIED DIMENSIONAL TOLERANCE IS ±.002

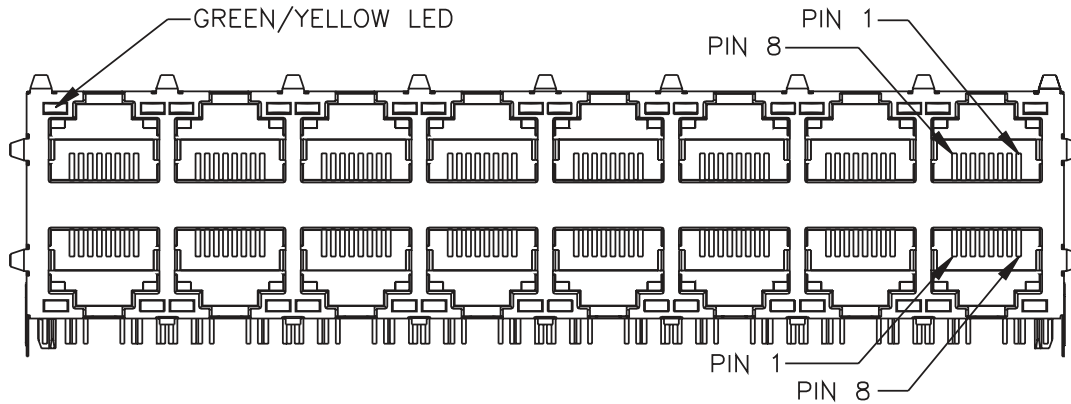
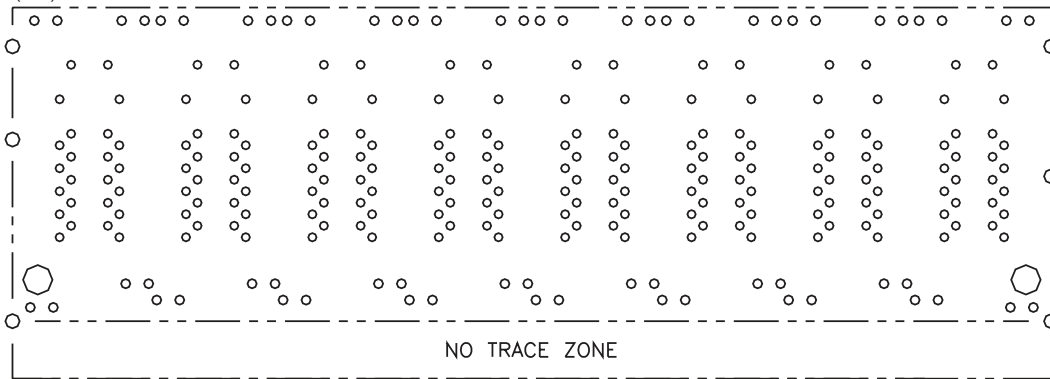
Pin-Out Assignment

JOB-0364NL/66NL/68NL



PIN ASSIGNMENT (COMPONENT SIDE VIEW)

**NOTE:** All parts use the same port identification system. JOB-0368NL (2x8) shown here.

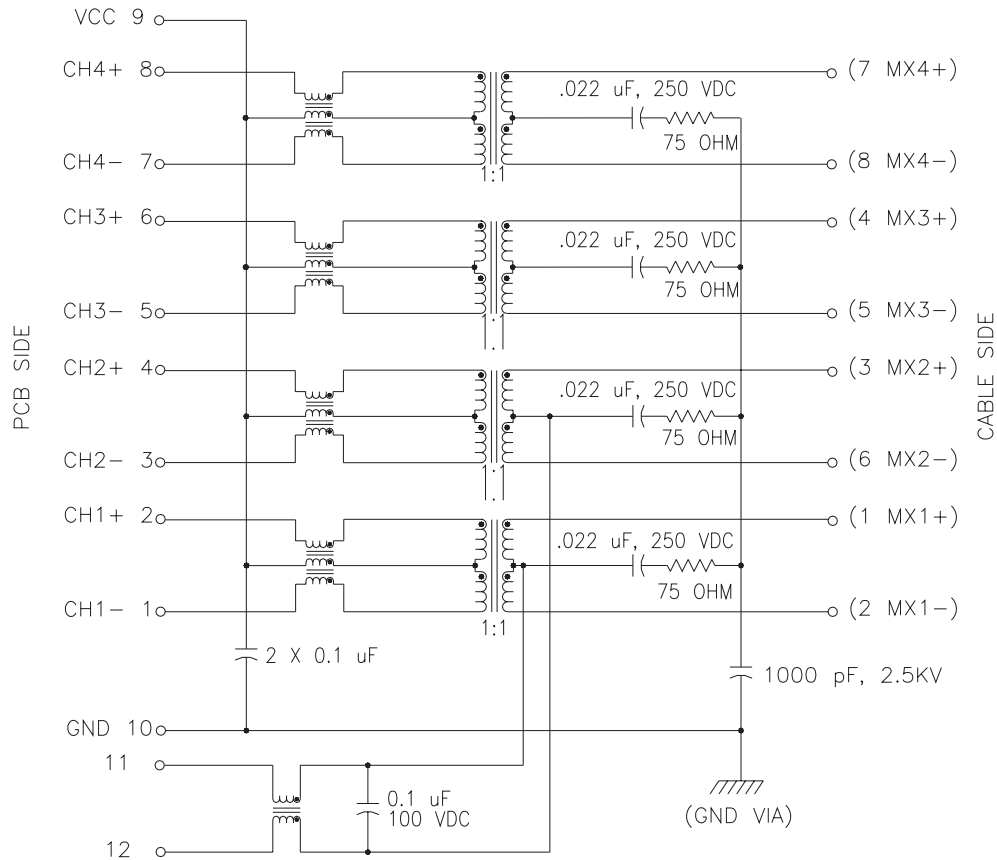


# PulseJack® 2xN Gigabit PoE

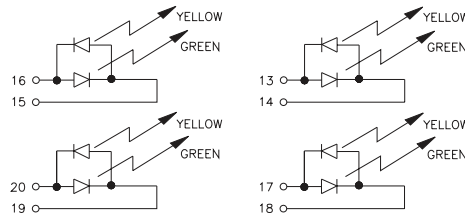
U.S. Patent#7241181

## Schematic

JOB-0364NL/66NL/68NL



EMMITTED COLOR	GREEN	YELLOW
WAVELENGTH (nm)	570 nm	590 nm
BRIGHTNESS (mCD)	8.5 TYP. @ 20mA	6 TYP. @ 20 mA
VIEWING ANGLE	100°	100°
POWER DISSIPATION (Pd)	85 mW MAX	85 mW MAX
FORWARD VOLTAGE (Vf)	2.2 TO 2.8 V	2.15 TO 2.8 V
REVERSE VOLTAGE (Vr)	5.0 V MAX	5.0 V MAX



## For More Information

**Pulse Worldwide Headquarters**  
12220 World Trade Drive  
San Diego, CA  
92128  
U.S.A.

Tel: 858 674 8100

**Pulse Europe**  
Einsteinstrasse 1  
D-71083 Herrenberg  
Germany

Tel: 49 7032 7806

**Pulse China Headquarters**  
B402, Shenzhen Academy of  
Aerospace Technol-  
ogy Bldg.  
10th Kejinan Road  
High-Tech Zone  
Nanshan District  
Shenzhen, PR China  
518057

**Pulse North China**  
Room 2704/2705  
Super Ocean Finance  
Ctr.  
2067 Yan An Road  
West  
Shanghai 200336  
China

**Pulse South Asia**  
135 Joo Seng Road  
#03-02  
PM Industrial Bldg.  
Singapore 368363

Tel: 65 6287 8998  
Fax: 65 6287 8998

**Pulse North Asia**  
3F, No. 198  
Zhongyuan Road  
Zhongli City  
Taoyuan County 320  
Taiwan R. O. C.  
Tel: 886 3 4356768  
Fax: 886 3 4356823  
(Pulse)

Performance warranty of products offered on this data sheet is limited to the parameters specified. Data is subject to change without notice. Other brand and product names mentioned herein may be trademarks or registered trademarks of their respective owners. © Copyright, 2014, Pulse Electronics, Inc. All rights reserved.