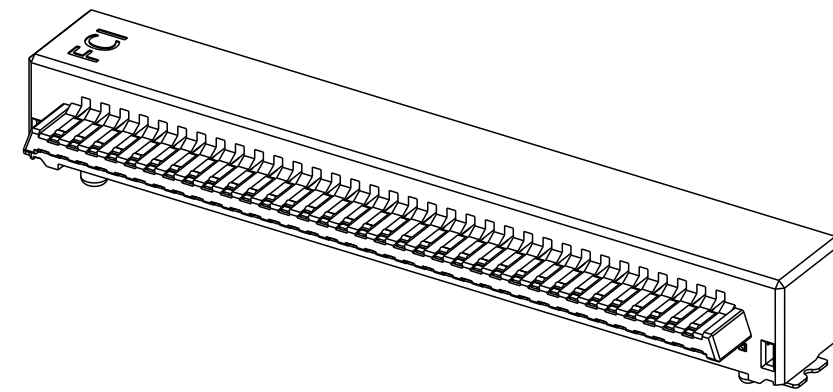
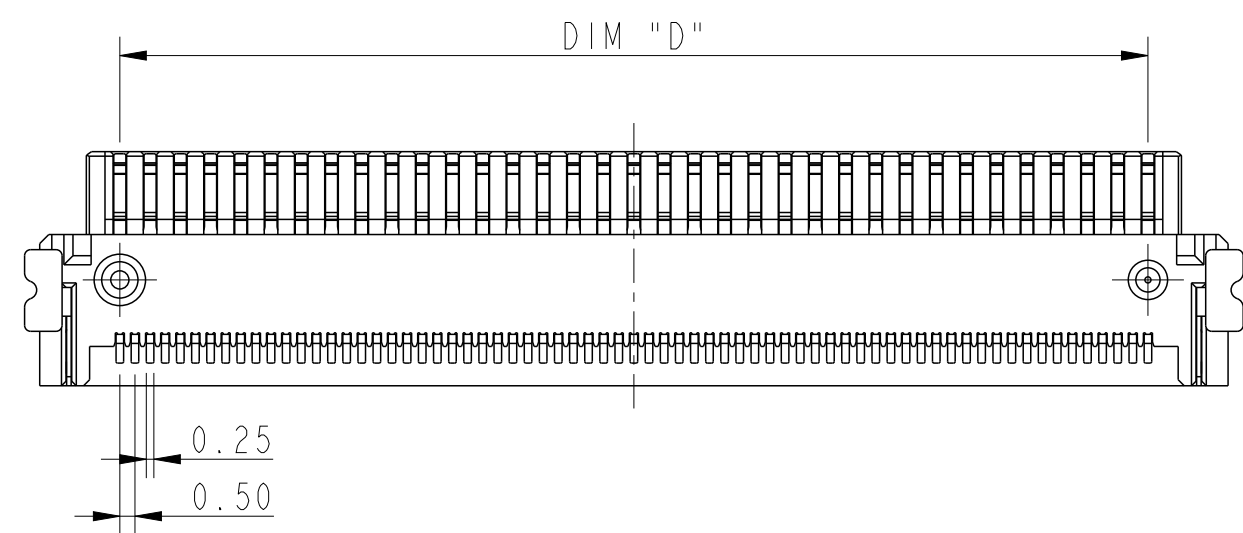
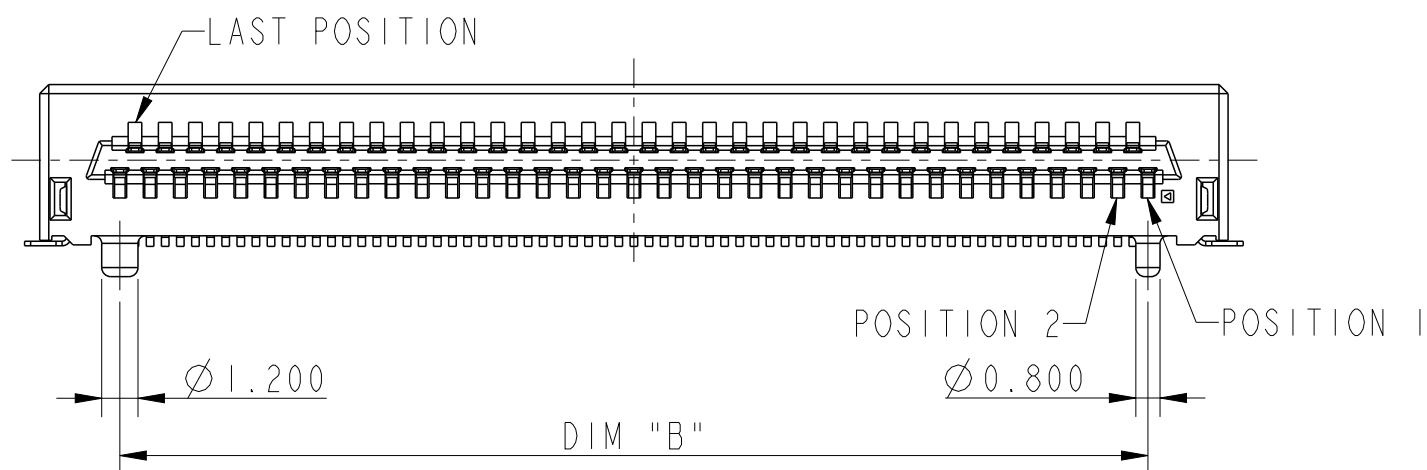
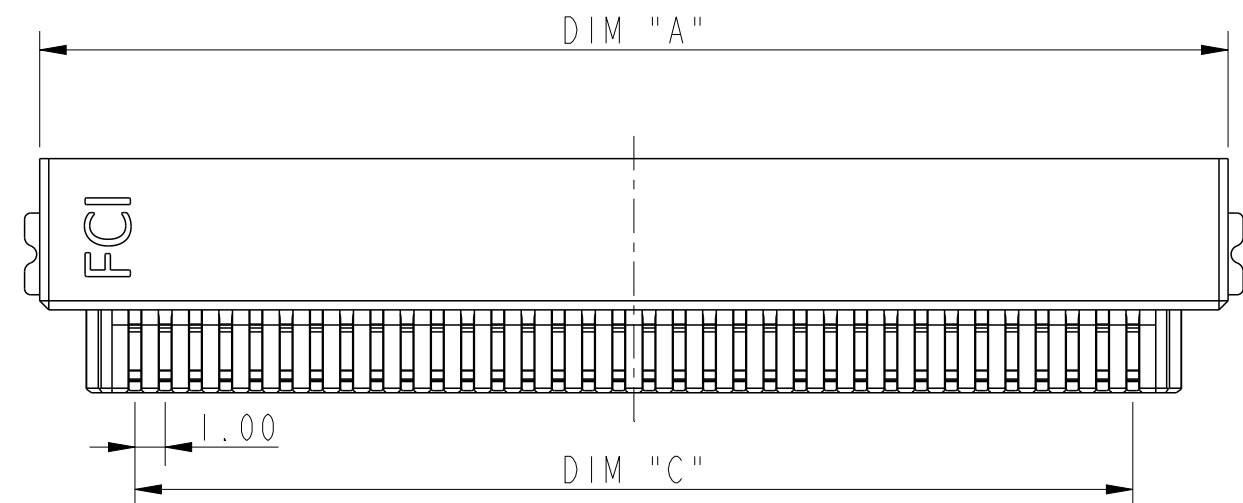
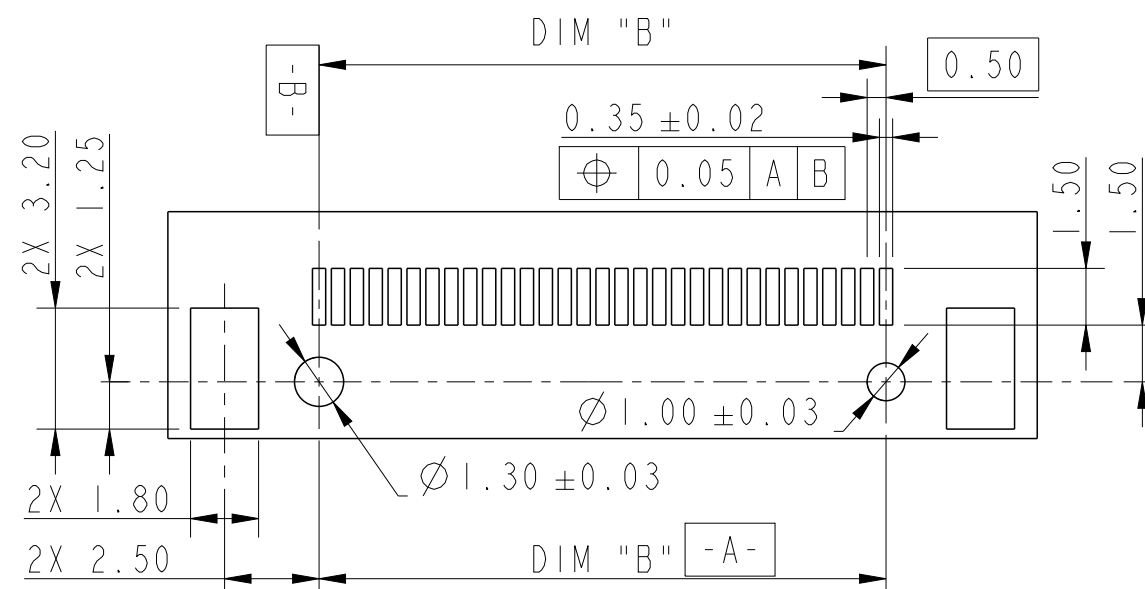
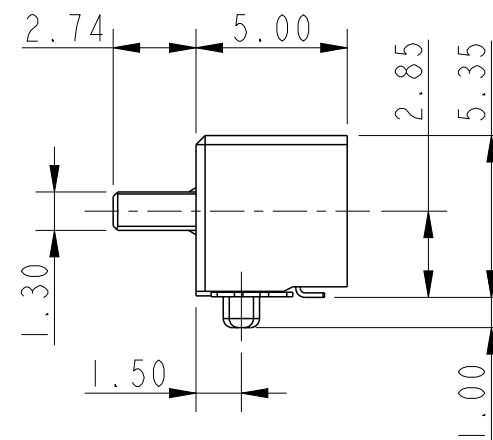


PART NUMBER

10138400-1111XXLF



SCALE 3:1



RECOMMEND PCB LAYOUT
TOLERANCE ± 0.05

spec ref	dr	2016/07/14	projection	mm	size	A3	scale	4:1	
tolerance std	eng	2017/02/16			ecn no	ELX-N-26076-1	rel level	Released	
TOLERANCES UNLESS OTHERWISE SPECIFIED		chr							product family
surface	linear	0.X	±0.30	Amphenol FCI	title	RIGHT ANGLE CONAN PLUG	dwg no	10138400	rev
		0.XX	±0.20						
		0.XXX	±0.10						
	angular	0°	±°	cat. no.	-	Product - Customer Drw	sheet 1 of 2		

Amphenol FCI

© 2016 AFCI

1

2

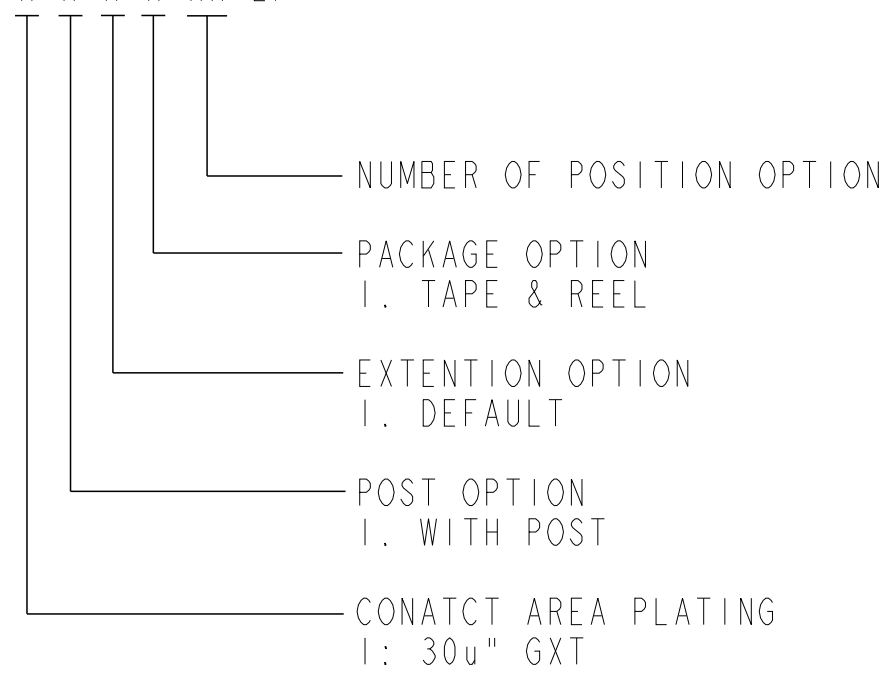
3

4

PART NUMBER	PIN QTY.	DIM "A"	DIM "B"	DIM "C"	DIM "D"
10138400-111111LF	11	10.30	5.00	4.00	5.00
10138400-111131LF	31	20.30	15.00	14.00	15.00
10138400-111137LF	37	23.30	18.00	17.00	18.00
10138400-111141LF	41	25.30	20.00	19.00	20.00
10138400-111151LF	51	30.30	25.00	24.00	25.00
10138400-111169LF	69	39.30	34.00	33.00	34.00

PRODUCT NUMBER DESCRIPTION:

10138400- X X X X XX LF



NOTES:

- MATERIALS:
 - HOUSING - LCP, UL-94V-0. COLOR: NATURAL.
 - TERMINALS - COPPER ALLOY, PLATED WITH GOLD IN CONTACT AREA AND 100u" Sn ON SOLDER LEGS WITH AN OVERALL 50u" Ni UNDERPLATE.
 - RETENTION DEVICE - BRASS, PLATED WITH 100u" Sn OVER NICKEL.
- REFERENCE GS-12-1382 FOR PRODUCT PERFORMANCE DATA.
- RECOMMENDED SOLDER PASTE THICKNESS IS 0.15 TO 0.20 MM THICK.
- THE CO-PLANARITY GRAVITY PLANE. THIS MEASUREMENT IS NOT TO EXCEED 0.1MM.
- THE HOUSING WILL WITHSTAND EXPOSURE TO 260°C PEAK TEMPERATURE FOR 30 SECONDS IN A CONVECTION INFRA RED OR VAPOR PHASE REFLOW OVEN. SEE APPLICATION/PROCEDURES IF THEY ARE AVAILABLE
- PRODUCT WITH "LF" AT THE END MEETS EUROPEAN UNION DIRECTIVES AND OTHER COUNTRY REGULATION AS DESCRIBED IN GS-22-008.

Amphenol FCI

© 2016 AFCI

spec ref	dr	2016/07/14	projection	mm	size	A3	scale	2:1
tolerance std	eng	2017/02/16		← →	ecn no	ELX-N-26076-1	rel level	Released
TOLERANCES UNLESS OTHERWISE SPECIFIED		chr						
surface	linear	0.X	±0.30	Amphenol FCI	RIGHT ANGLE CONAN PLUG	dwg no	10138400	rev
		0.XX	±0.20					
		0.XXX	±0.10					
angular	0°	±°	cat. no.	-	Product - Customer Drw	sheet 2 of 2		

2

3