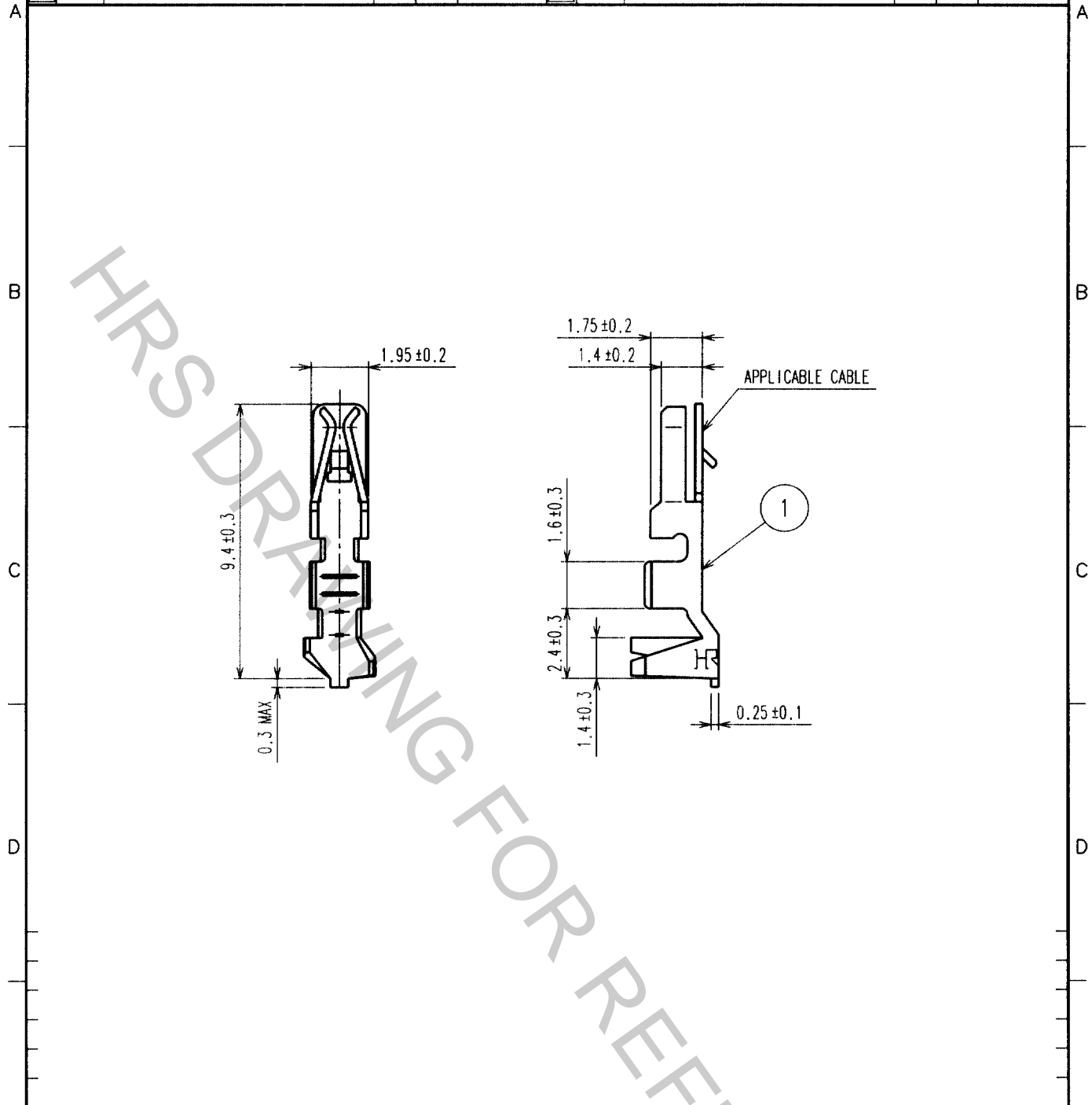


1	2			3			4		
COUNT	DESCRIPTION OF REVISIONS	BY	CHKD	DATE	COUNT	DESCRIPTION OF REVISIONS	BY	CHKD	DATE
△					△				..
△					△				..
△					△				..



NOTE 1. 1 PACK 100 PIECES.

NO.	MATERIAL	FINISH, REMARKS	NO.	MATERIAL	FINISH, REMARKS
			1	PHOSPHOR BRONZE	TIN PLATED

CODE NO. (OLD)	DRAWN	DESIGNED	CHECKED	APPROVED	RELEASED
	S.Hara	W. Fukuchi	C. Hanami	K. Katayama	
	'99.11. 4	'99.11. 11	'99.11. 12	'99.11. 12	

TO

 SACLE 5 : 1 UNITS mm	DRAWING NO. EDC4-161407 HIROSE ELECTRIC CO., LTD.	PART NO. DF1E-2022SC CODE NO. CL541-1000-2	1/1
-----------------------------------	---	---	-----